



Chipsmall Limited consists of a professional team with an average of over 10 year of expertise in the distribution of electronic components. Based in Hongkong, we have already established firm and mutual-benefit business relationships with customers from,Europe,America and south Asia,supplying obsolete and hard-to-find components to meet their specific needs.

With the principle of “Quality Parts,Customers Priority,Honest Operation,and Considerate Service”,our business mainly focus on the distribution of electronic components. Line cards we deal with include Microchip,ALPS,ROHM,Xilinx,Pulse,ON,Everlight and Freescale. Main products comprise IC,Modules,Potentiometer,IC Socket,Relay,Connector.Our parts cover such applications as commercial,industrial, and automotives areas.

We are looking forward to setting up business relationship with you and hope to provide you with the best service and solution. Let us make a better world for our industry!



Contact us

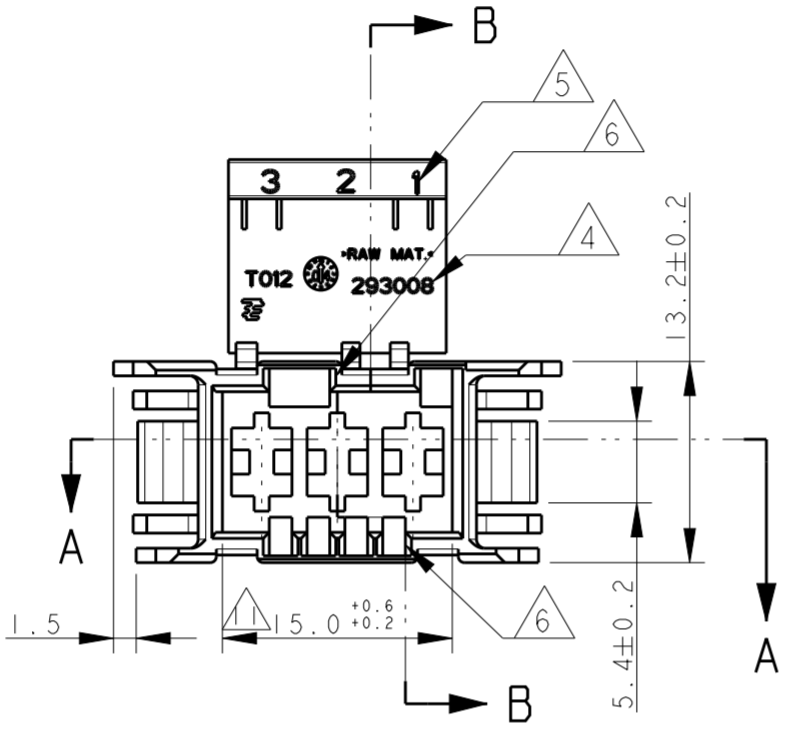
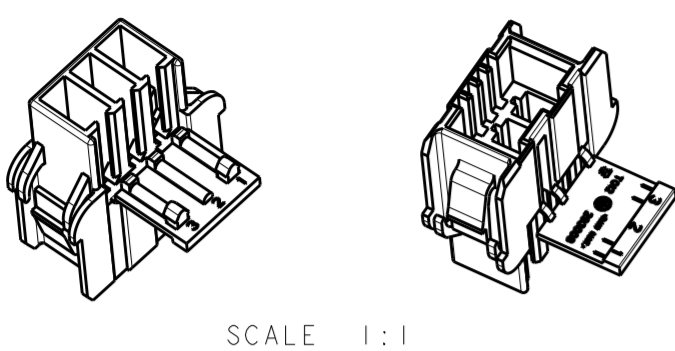
Tel: +86-755-8981 8866 Fax: +86-755-8427 6832

Email & Skype: info@chipsmall.com Web: www.chipsmall.com

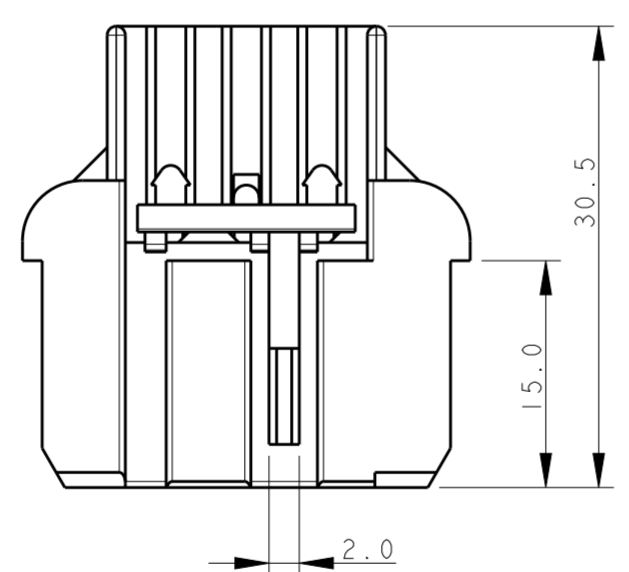
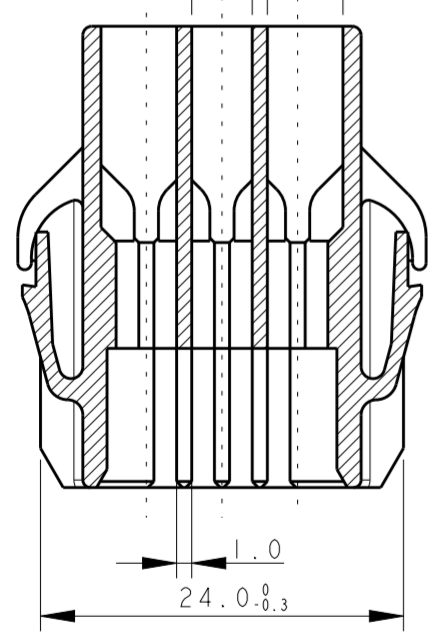
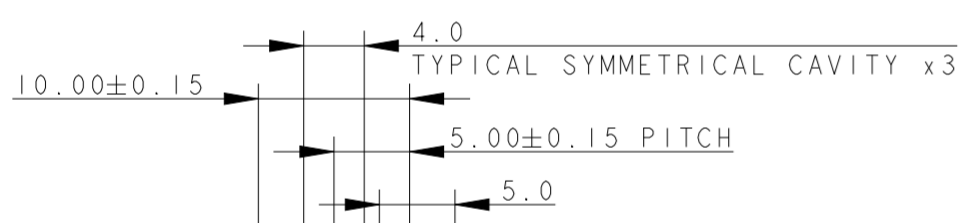
Address: A1208, Overseas Decoration Building, #122 Zhenhua RD., Futian, Shenzhen, China



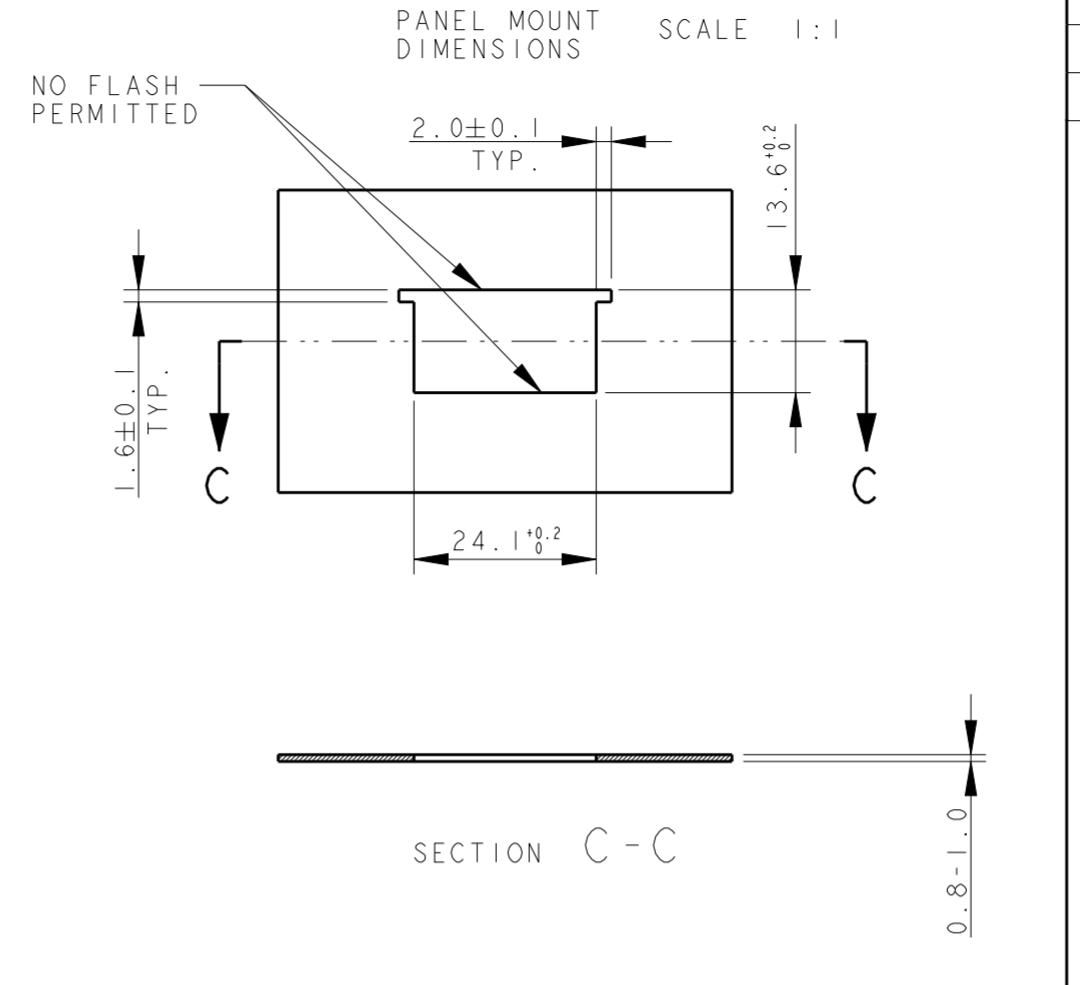
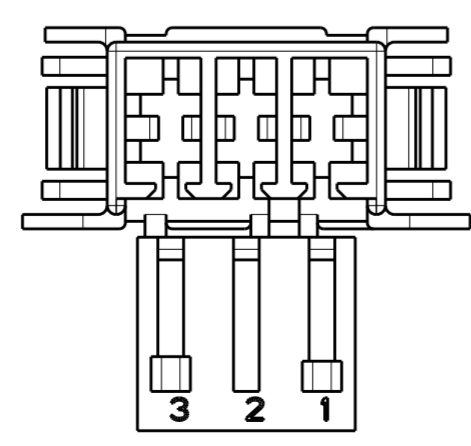
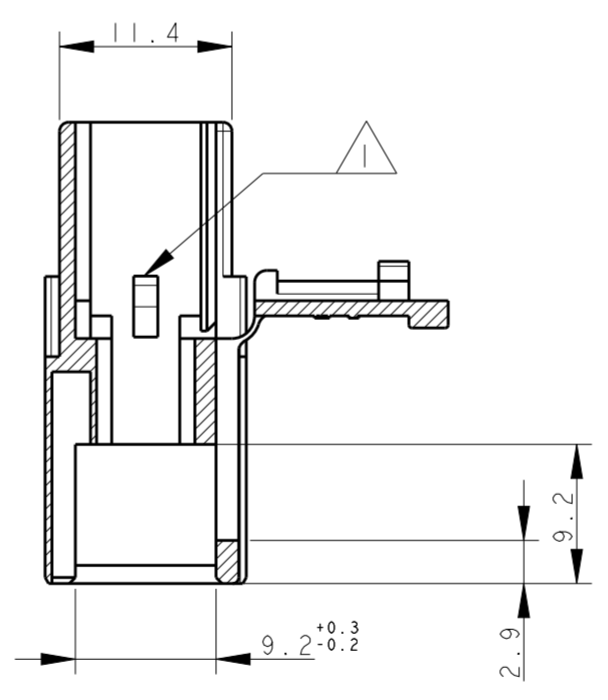
THIS DRAWING IS UNPUBLISHED. RELEASED FOR PUBLICATION 2003
 © COPYRIGHT 2003 BY - ALL RIGHTS RESERVED.



SECTION A - A



SECTION B - B



REVISIONS				
P	LTR	DESCRIPTION	DATE	APVD
B12		REVISED PER ECR-16-009157	29JUN2016	BW RS
B13		ECR-16-013951	10OCT2016	KD RR

- 1) TYPICAL CAVITY SUITABLE FOR:
 FASTIN-FASTON TAB CONTACTS 6.3 mm SRS:
 P/N: 60294, 0.3-0.8 mm² WIRE RANGE
 160691, 0.3-0.8 mm² WIRE RANGE
 AMPLIVAR CONTACTS:
 P/N: 141051, 0.1-0.5 mm² WIRE RANGE
 142411, 0.3-1.6 mm² WIRE RANGE
 MAX. INSULATION DIA. 2.8 mm,
 MAX. INSULATION CRIMP WIDTH 3.3 mm.
- 2) PA6 UNFILLED, UL 94-V2, NATURE COLOUR
 ACCORDING TO IEC 60335-1 NORM. EDITION 4
- 3) PA66 UNFILLED, UL 94-V2, NATURAL COLOUR
- 4) TRADEMARK "LOGO" AND
 TYCO ELECTRONICS "PART NUMBER"
 OPTIONAL POSITION.
- 5) CIRCUIT IDENTIFICATION NUMBERS, 1 TO 3
- 6) POLARIZATION KEYS DIMENTIONS AND POSITIONS
 ARE ACCORDING TO "RAST 5" NORM
 RAST CODE 03-A & 03-1.
- 7) PA66 UNFILLED, UL 94-V0, NATURAL COLOUR
- 8) PA66 UNFILLED, UL 94-V0 GWT, NATURAL COLOUR
- 9) PRELIMINARY - NOT RELEASED FOR PRODUCTION
- 10) PA66 UNFILLED, UL94-V0 GWT, NATURAL COLOUR
- 11) ONLY FOR 293008-6, 15.0 +0.6/+0.1 (LOCATION C3)
- 12) PA66 UNFILLED, UL94-V0 GWT, BLUE COLOR

COLOUR	MATERIAL	TE P/N	REV
BLUE	SEE NOTE 12	3-293008-1	1
NATURAL	SEE NOTE 10	2-293008-2	1
NATURAL	SEE NOTE 10	2-293008-1	1
NATURAL	SEE NOTE 2	1-293008-1	B
NATURAL	SEE NOTE 10	293008-6	B
NATURAL	SEE NOTE 8	293008-5	B
NATURAL	SEE NOTE 7	293008-3	B
NATURAL	SEE NOTE 3	293008-2	B
NATURAL	SEE NOTE 2	293008-1	B

THIS DRAWING IS A CONTROLLED DOCUMENT.

DWN: H. YAALI 27 FEB 2004
 CHK: C. TARTARI
 APVD: -

DIMENSIONS: mm

TOLERANCES UNLESS OTHERWISE SPECIFIED:
 0 PLC ±
 1 PLC ±0.3
 2 PLC ±
 3 PLC ±
 4 PLC ±
 ANGLES ±1°
 FINISH SEE TABLE

MATERIAL: SEE TABLE

PRODUCT SPEC: 108-20256
 APPLICATION SPEC: -
 WEIGHT: -

CUSTOMER DRAWING

SCALE: 5:1 SHEET: 1 OF 2 REV: B13

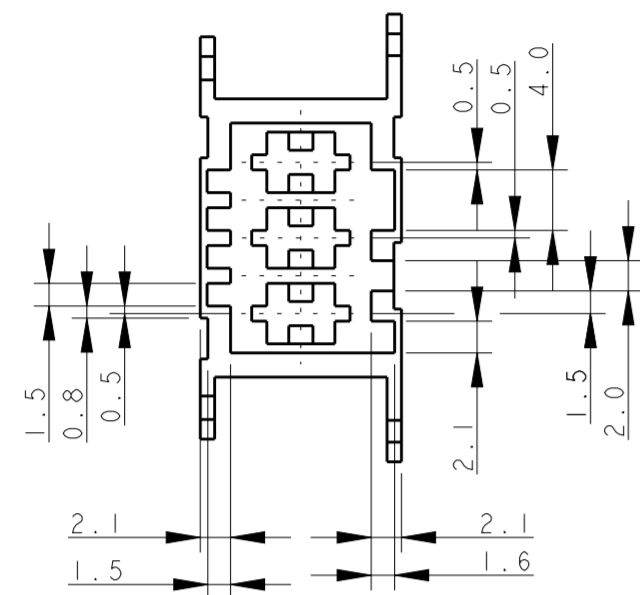
TE Connectivity
 3 POS. FASTIN-FASTON Connector
 TAB HOUSING, RAST 5
 0.8-1.0 MM THK. PANEL MOUNT

SIZE: A2 CAGE CODE: - DRAWING NO: C-293008 RESTRICTED TO: -

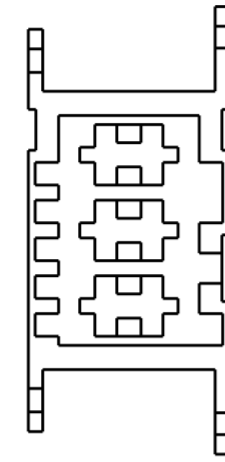
THIS DRAWING IS UNPUBLISHED. RELEASED FOR PUBLICATION 2003
 © COPYRIGHT 2003 BY - ALL RIGHTS RESERVED.

REVISIONS				
P	LTR	DESCRIPTION	DATE	APVD
-	-	SEE SHEET 1	-	-

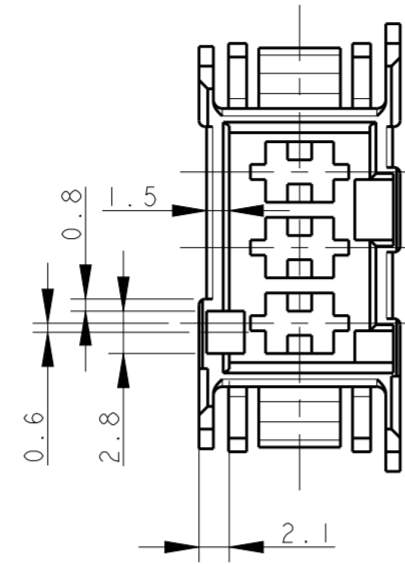
POLARIZATION SCHEME



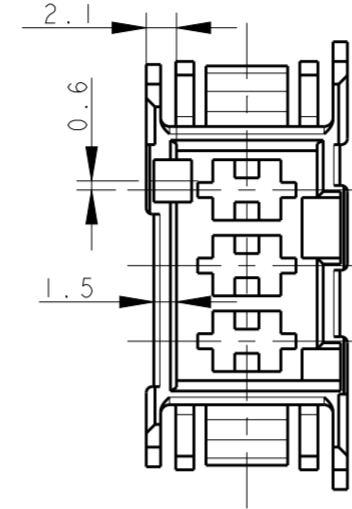
293008-X



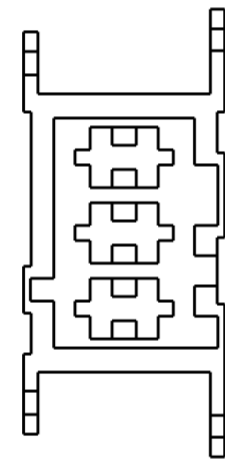
1-293008-X




2-293008-1



2-293008-2



3-293008-1

THIS DRAWING IS A CONTROLLED DOCUMENT.		DWN H. YAALI 27 FEB 2004	 TE Connectivity	
DIMENSIONS: mm		CHK C. TARTARI		
TOLERANCES UNLESS OTHERWISE SPECIFIED:		APVD -	PRODUCT SPEC 108-20256	RESTRICTED TO -
0 PLC ±- 1 PLC ±0.3 2 PLC ±- 3 PLC ±- 4 PLC ±- ANGLES ±1°		APPLICATION SPEC -	SIZE A2	CAGE CODE -
MATERIAL SEE TABLE	FINISH SEE TABLE	WEIGHT -	DRAWING NO. C-293008	SCALE 2:1
CUSTOMER DRAWING		SHEET 2 OF 2		REV. B13