



Chipsmall Limited consists of a professional team with an average of over 10 year of expertise in the distribution of electronic components. Based in Hongkong, we have already established firm and mutual-benefit business relationships with customers from,Europe,America and south Asia,supplying obsolete and hard-to-find components to meet their specific needs.

With the principle of “Quality Parts,Customers Priority,Honest Operation,and Considerate Service”,our business mainly focus on the distribution of electronic components. Line cards we deal with include Microchip,ALPS,ROHM,Xilinx,Pulse,ON,Everlight and Freescale. Main products comprise IC,Modules,Potentiometer,IC Socket,Relay,Connector.Our parts cover such applications as commercial,industrial, and automotives areas.

We are looking forward to setting up business relationship with you and hope to provide you with the best service and solution. Let us make a better world for our industry!



Contact us

Tel: +86-755-8981 8866 Fax: +86-755-8427 6832

Email & Skype: info@chipsmall.com Web: www.chipsmall.com

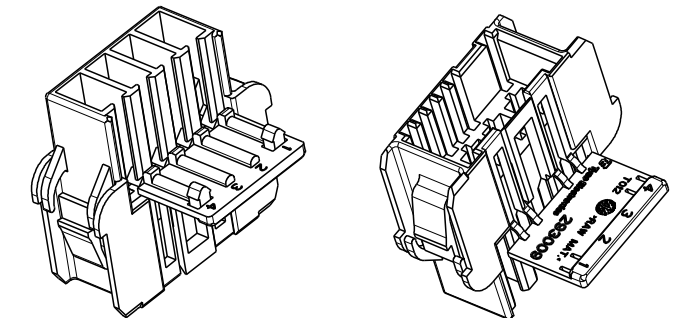
Address: A1208, Overseas Decoration Building, #122 Zhenhua RD., Futian, Shenzhen, China



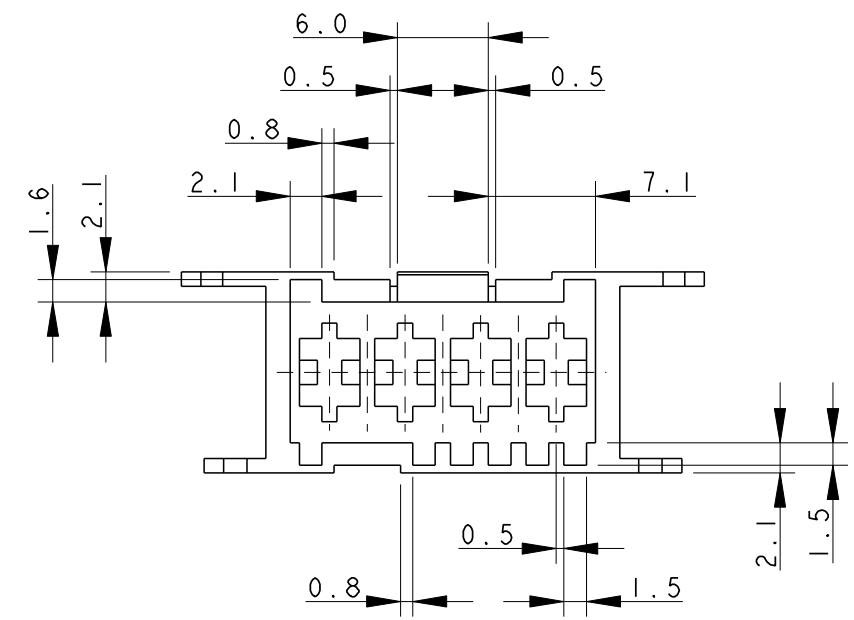
THIS DRAWING IS UNPUBLISHED. RELEASED FOR PUBLICATION 2003
 © COPYRIGHT 2003 BY TYCO ELECTRONICS CORPORATION. ALL RIGHTS RESERVED.

LOC		DIST		REVISIONS			
P	LTR	DESCRIPTION	DATE	DWN	APVD		
	B	RELEASED, ET00-0224-04	11 NOV 2004	HY	GT		
	B1	UPDATED, ET00-0012-05	12 JAN 2005	HY	GT		
	B2	P/N 293009-3 ADDED AS PRELIMINARY	02 DEC 2009	PKS	RRP		
	B3	PN 293009-3 RELEASED	10MAR2011	PKS	MP		

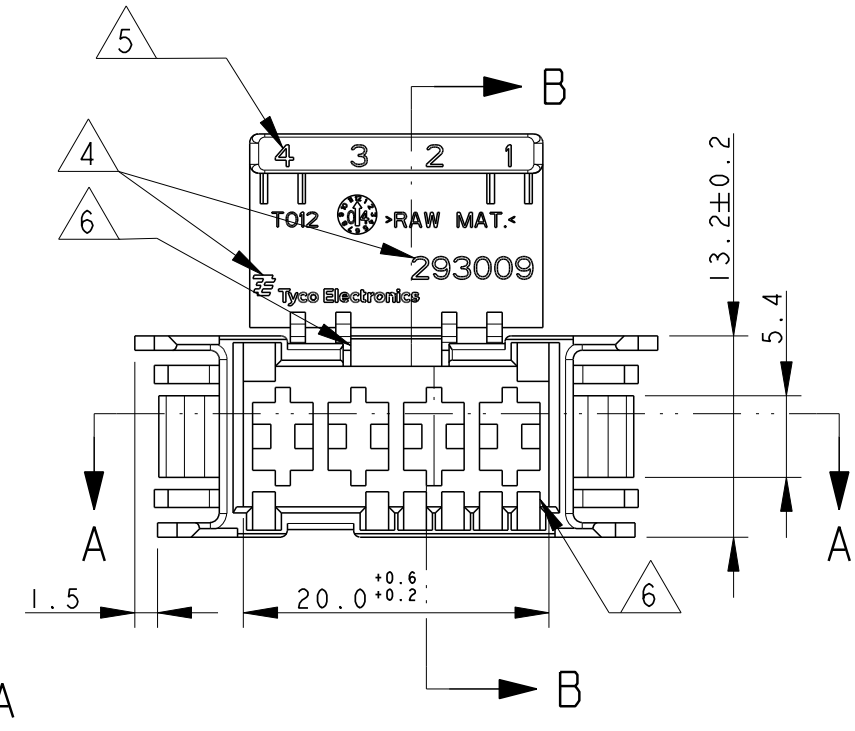
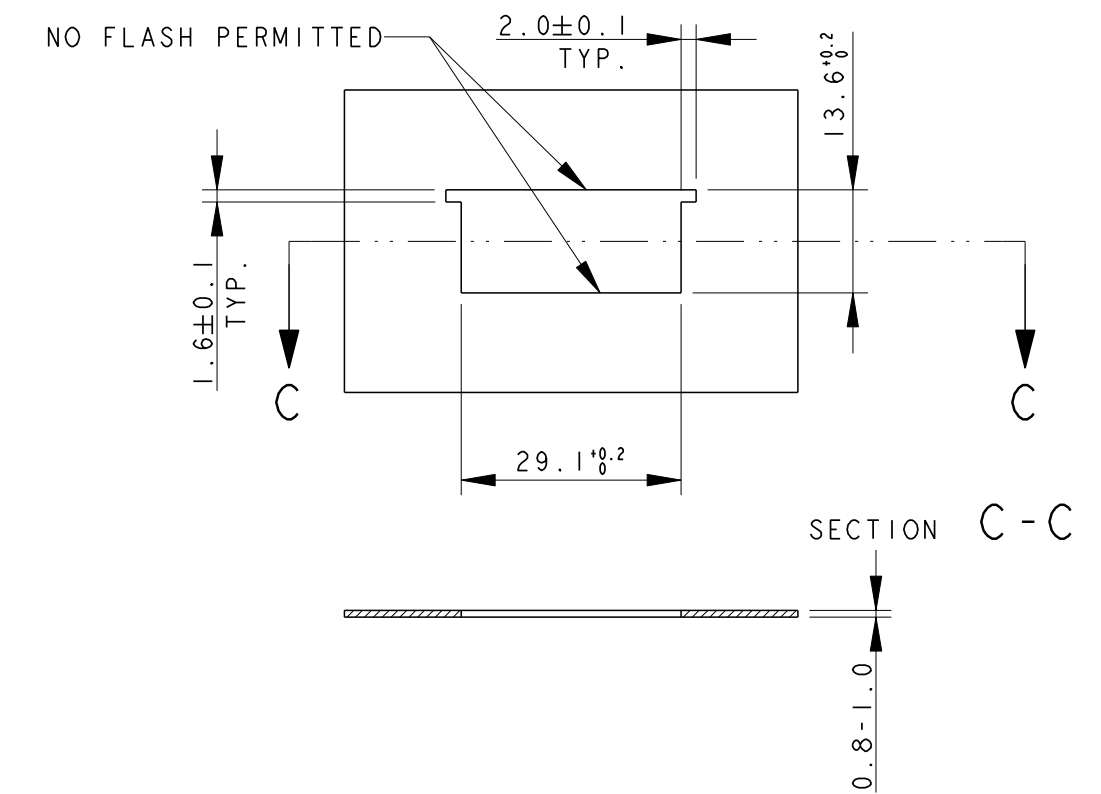
POLARIZATION KEYS SCHEME



SCALE 1:1

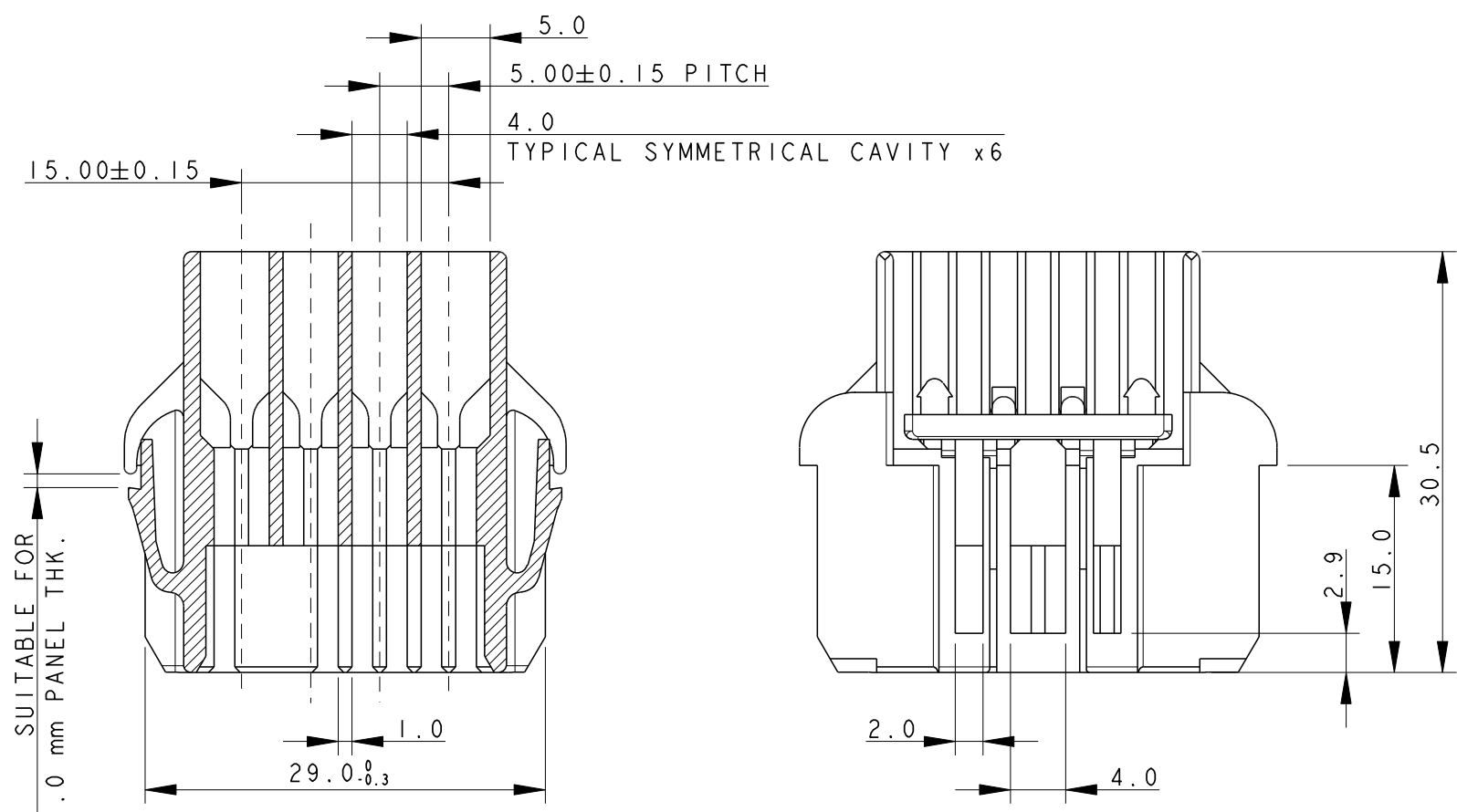
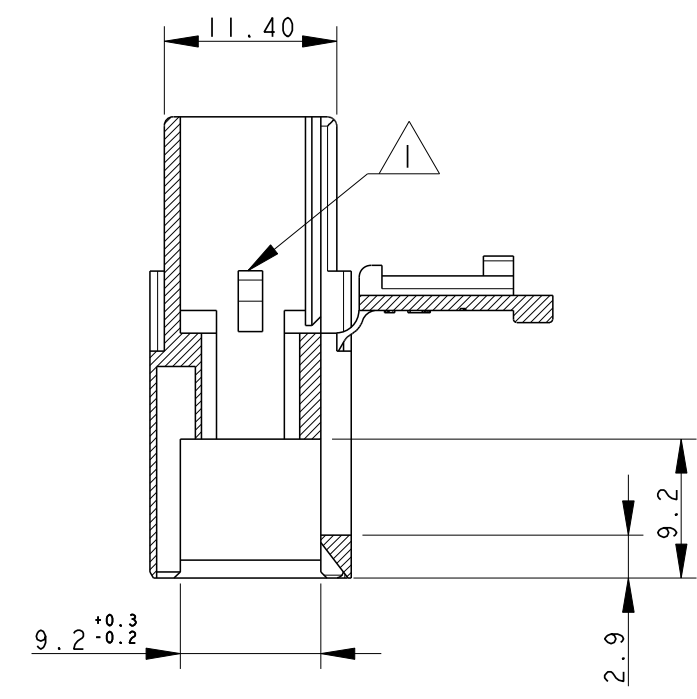


PANEL MOUNT DIMENSIONS SCALE 1:1



SECTION A - A

SECTION B - B



- 1 TYPICAL CAVITY SUITABLE FOR:
 FASTIN-FASTON TAB CONTACTS 6.3 mm SRS:
 P/N: 60294, 0.3-0.8 mm² WIRE RANGE
 160691, 0.3-0.8 mm² WIRE RANGE
 AMPLIVAR CONTACTS:
 P/N: 141051, 0.1-0.5 mm² WIRE RANGE
 142411, 0.3-1.6 mm² WIRE RANGE
 MAX. INSULATION DIA. 2.8 mm,
 MAX. INSULATION CRIMP WIDTH 3.3 mm.
- 2) PA6 UNFILLED, UL 94-V2, NATURE COLOUR ACCORDING TO IEC 60335-1 NORM.
- 3) PA66 UNFILLED, UL 94-V2, NATURE COLOUR
- 4 TE TRADEMARK "LOGO" AND TYCO ELECTRONICS "PART NUMBER" OPTIONAL POSITION.
- 5 CIRCUIT IDENTIFICATION NUMBERS, 1 TO 4
- 6 POLARIZATION KEYS DIMENSIONS AND POSITIONS ARE ACCORDING TO "RAST 5" NORM RAST CODE 04-B, 04-C, 04-F, 04-G.
- 7) PA66 UNFILLED, UL 94-V0 GWT, NATURE COLOUR

NATURALE (NATUR)	VEDI NOTA (SEE NOTE)	NUMERO (TE P/N)	REV
NATURALE (NATUR)	VEDI NOTA 7 (SEE NOTE 7)	293009-3	B
NATURALE (NATUR)	VEDI NOTA 3 (SEE NOTE 3)	293009-2	B
NATURALE (NATUR)	VEDI NOTA 2 (SEE NOTE 2)	293009-1	B
COLORE (COLOUR)	MATERIALE (MATERIAL)	NUMERO (TE P/N)	REV

THIS DRAWING IS A CONTROLLED DOCUMENT FOR TYCO ELECTRONICS CORPORATION. IT IS SUBJECT TO CHANGE AND THE CONTROLLING ENGINEERING ORGANIZATION SHOULD BE CONTACTED FOR THE LATEST REVISION.

DWN: H. YAALI 29 JAN 2004
 CHK: C. TARTARI
 APVD: -

NAME: Tyco Electronics AMP Italia S.p.A. C.so F. Cervi, 15 COLLEGGNO (TO)

PRODUCT SPEC: 108-20256
 APPLICATION SPEC: -

SIZE: A2 CAGE CODE: 00779 DRAWING NO: C-293009 RESTRICTED TO: -

MATERIAL: SEE TABLE TOLERANCES UNLESS OTHERWISE SPECIFIED: SEE TABLE

0 PLC ±-
 1 PLC ±0.3
 2 PLC ±-
 3 PLC ±-
 4 PLC ±-
 ANGLES ±1°
 FINISH

CUSTOMER DRAWING SCALE 3:1 SHEET 1 OF 1 REV B3