



Chipsmall Limited consists of a professional team with an average of over 10 year of expertise in the distribution of electronic components. Based in Hongkong, we have already established firm and mutual-benefit business relationships with customers from,Europe,America and south Asia,supplying obsolete and hard-to-find components to meet their specific needs.

With the principle of “Quality Parts,Customers Priority,Honest Operation,and Considerate Service”,our business mainly focus on the distribution of electronic components. Line cards we deal with include Microchip,ALPS,ROHM,Xilinx,Pulse,ON,Everlight and Freescale. Main products comprise IC,Modules,Potentiometer,IC Socket,Relay,Connector.Our parts cover such applications as commercial,industrial, and automotives areas.

We are looking forward to setting up business relationship with you and hope to provide you with the best service and solution. Let us make a better world for our industry!



Contact us

Tel: +86-755-8981 8866 Fax: +86-755-8427 6832

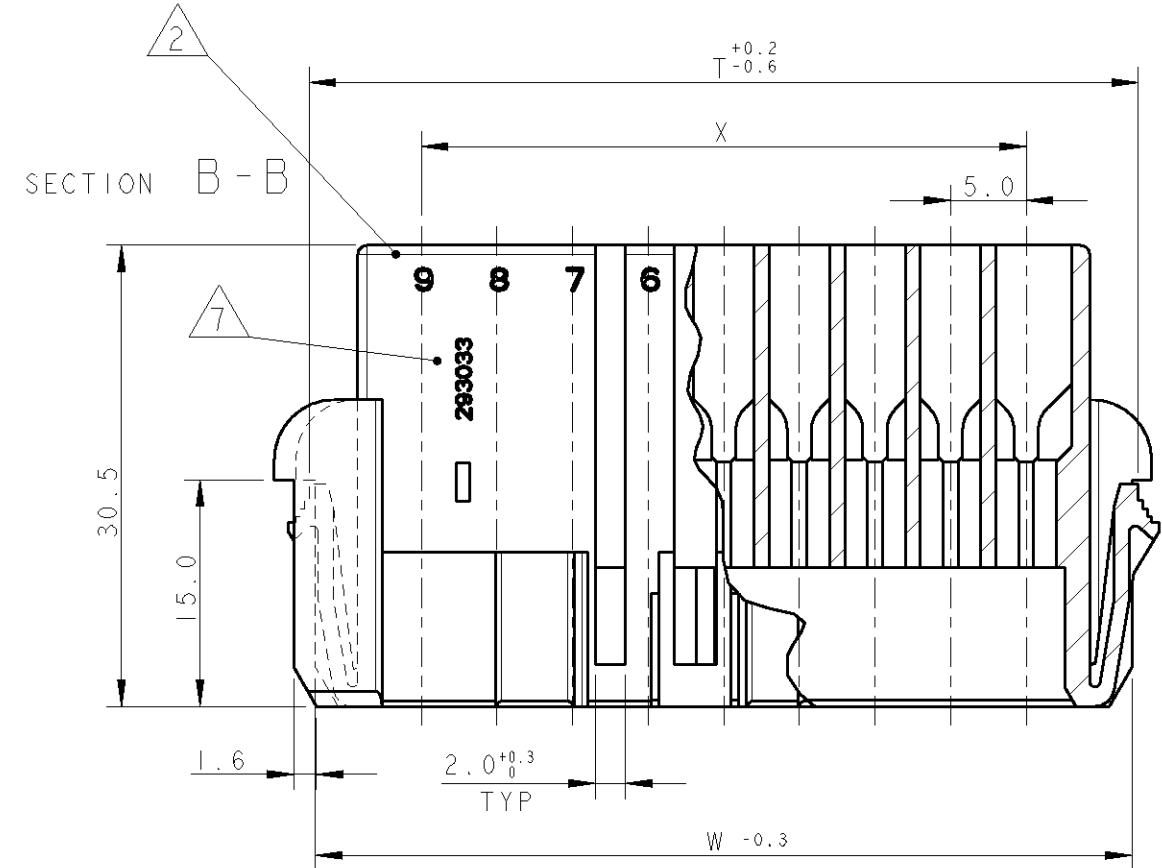
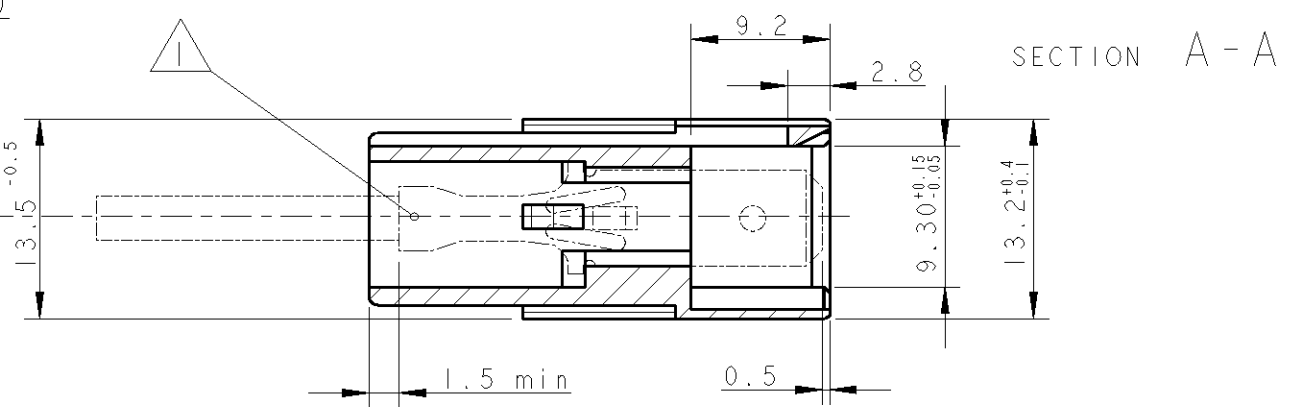
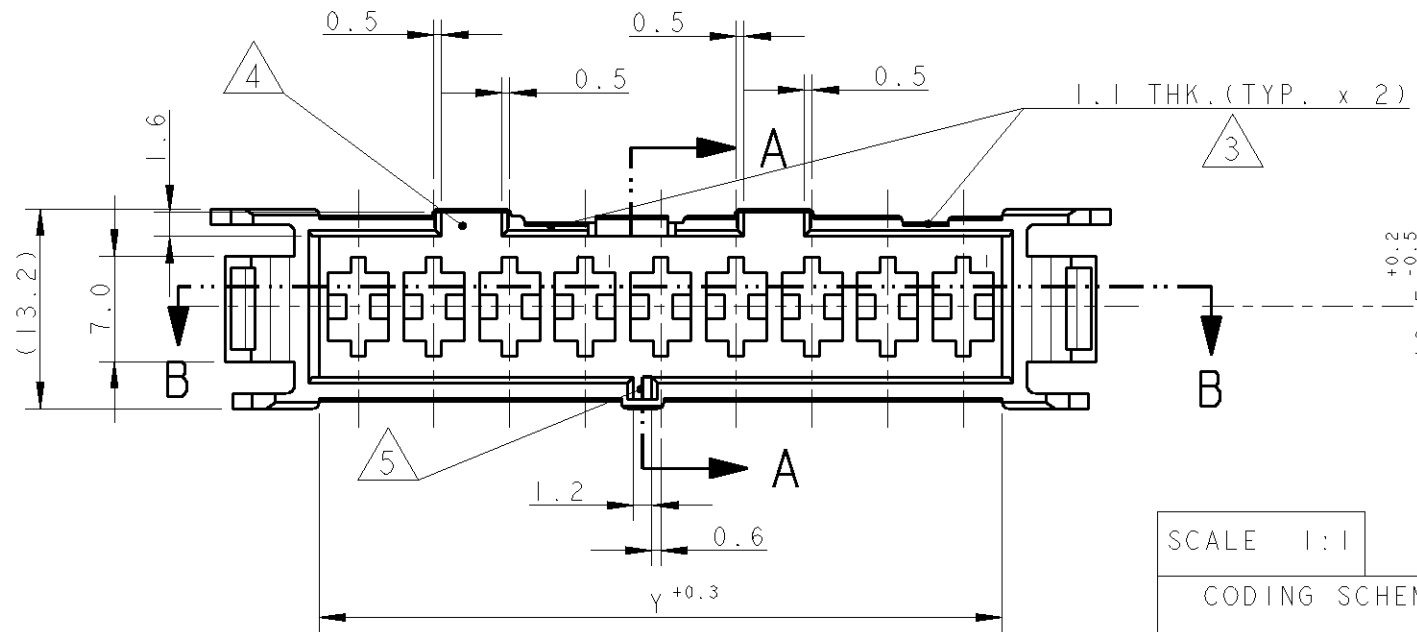
Email & Skype: info@chipsmall.com Web: www.chipsmall.com

Address: A1208, Overseas Decoration Building, #122 Zhenhua RD., Futian, Shenzhen, China



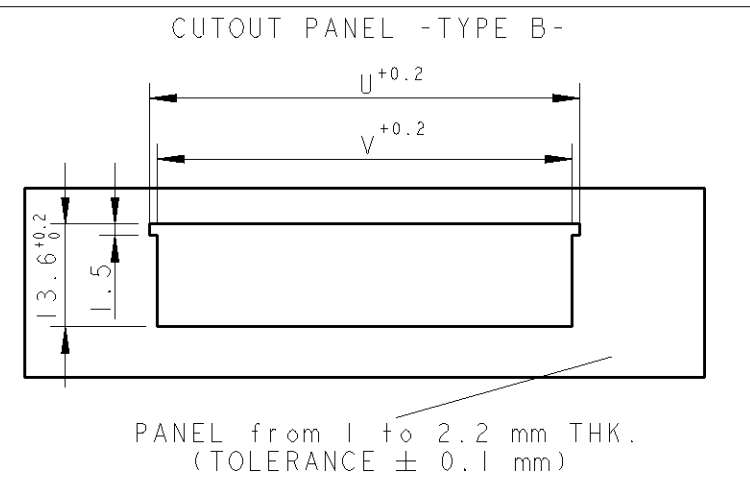
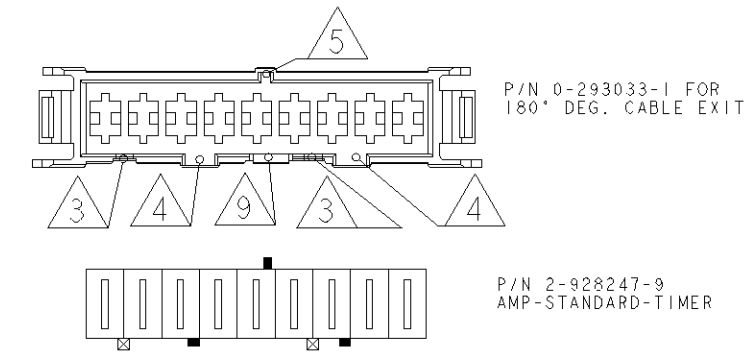
THIS DRAWING IS UNPUBLISHED. RELEASED FOR PUBLICATION 2004
 © COPYRIGHT 2004 BY TYCO ELECTRONICS CORPORATION. ALL RIGHTS RESERVED.

LOC	DIST	REVISIONS					
		P	LTR	DESCRIPTION	DATE	DWN	APVD
1	-	A		FIRST ISSUE, ET00-0209-04	18OCT2004	C.C	G.T.
		AI		REVISED, ET00-0242-04	02DEC2004	UA	GT
		B		CHANGED LATCHING SHAPE, ECR-08-007298	20MAR2008	HY	GT



SCALE 1:1

CODING SCHEME AND POLARIZATION LAYOUT



- 1 CAVITY FOR FASTIN-FASTON TABS 6.3 x 0.8 CONTACT N. 60294 SUITABLE FOR AWG 22-18 (0.3-0.8 sqmm) CONTACT N. 160691 SUITABLE FOR AWG 22-18 (0.3-0.8 sqmm) CONTACT N. 141051 (AMPLIVAR) SUITABLE FOR AWG 27-20 (0.1-0.5 sqmm) CONTACT N. 142411 (AMPLIVAR) SUITABLE FOR AWG 22-15 (0.3-1.6 sqmm) MAX. INSULATION DIAMETER = 2.8 mm MAX. INSULATION CRIMP HEIGHT = 3.6 mm
- 2 CAVITY NR.
- 3 LOCKING HOLE
- 4 CODING GROOVE
- 5 POLARIZATION GROOVE
- 6 0.6 MAX. WARPAGE ADMITTED
- 7 INSCRIPTIONS CHARACTERS 1.2 HIGH, ACCORDING TO DIN 1451 - 0.2 RAISED TE LOGO LOCATED AS SHOWN
- 8 MATERIAL PA6 UNFILLED SUITABLE FOR APPLICATION WHERE GWT 750°C HAS TO BE PERFORMED PER EN60335
- 9 LOCKING LATCH SHIFTED TO THE LEFT BETWEEN CAVITY AS SHOWN

POS	T	W	V	X	Y	U	P/N	MATED WITH STD. TIMER PART P/N	MATERIAL	COLOUR	REV
12	70.2	69	69.4	55	60	71.9	-	-	-	-	-
11	65.2	64	64.8	50	55	66.9	-	-	-	-	-
10	60.2	59	59.8	45	50	61.9	-	-	-	-	-
9	55.2	54	54.8	40	45	56.9	293033-1	2-928247-9	NOTE 8	NATURAL	B
8	50.2	49	49.8	35	40	51.9	-	-	-	-	-
7	45.2	44	44.8	30	35	46.9	-	-	-	-	-
6	40.2	39	39.8	25	30	41.9	-	-	-	-	-
5	35.2	34	34.8	20	25	36.9	-	-	-	-	-
4	30.2	29	29.8	15	20	31.9	-	-	-	-	-
3	25.2	24	24.8	10	15	26.9	-	-	-	-	-
2	20.2	19	19.8	5	10	21.9	-	-	-	-	-

THIS DRAWING IS A CONTROLLED DOCUMENT FOR TYCO ELECTRONICS CORPORATION IT IS SUBJECT TO CHANGE AND THE CONTROLLING ENGINEERING ORGANIZATION SHOULD BE CONTACTED FOR THE LATEST REVISION.

DIMENSIONS:	TOLERANCES UNLESS OTHERWISE SPECIFIED:
mm	0 PLC ±
	1 PLC ±0.2
	2 PLC ±
	3 PLC ±
	4 PLC ±
	ANGLES ±2°
MATERIAL	FINISH
UL94-V2 (TABLE)	-

DWN	17MAY2004		AMP Italia S.p.A.	
CHK	17MAY2004		C.so F.lli Cervi 15 Collegno (TO)	
APVD	17MAY2004			
PRODUCT SPEC	G.TURCO	NAME		
APPLICATION SPEC	-	2-12 POSITION FASTIN-ON HOUSING, PITCH 5 mm		
WEIGHT	-	SIZE	CAGE CODE	DRAWING NO
CUSTOMER DRAWING		A3	00779	C=293033
		SCALE	SHEET	OF
		2:1	1	1
		REV	B	