



Chipsmall Limited consists of a professional team with an average of over 10 year of expertise in the distribution of electronic components. Based in Hongkong, we have already established firm and mutual-benefit business relationships with customers from,Europe,America and south Asia,supplying obsolete and hard-to-find components to meet their specific needs.

With the principle of “Quality Parts,Customers Priority,Honest Operation,and Considerate Service”,our business mainly focus on the distribution of electronic components. Line cards we deal with include Microchip,ALPS,ROHM,Xilinx,Pulse,ON,Everlight and Freescale. Main products comprise IC,Modules,Potentiometer,IC Socket,Relay,Connector.Our parts cover such applications as commercial,industrial, and automotives areas.

We are looking forward to setting up business relationship with you and hope to provide you with the best service and solution. Let us make a better world for our industry!



Contact us

Tel: +86-755-8981 8866 Fax: +86-755-8427 6832

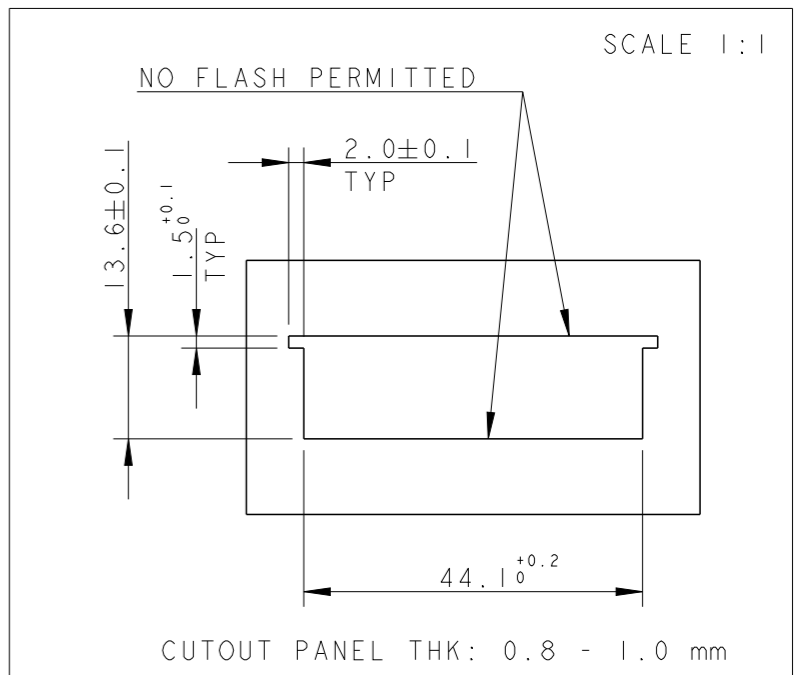
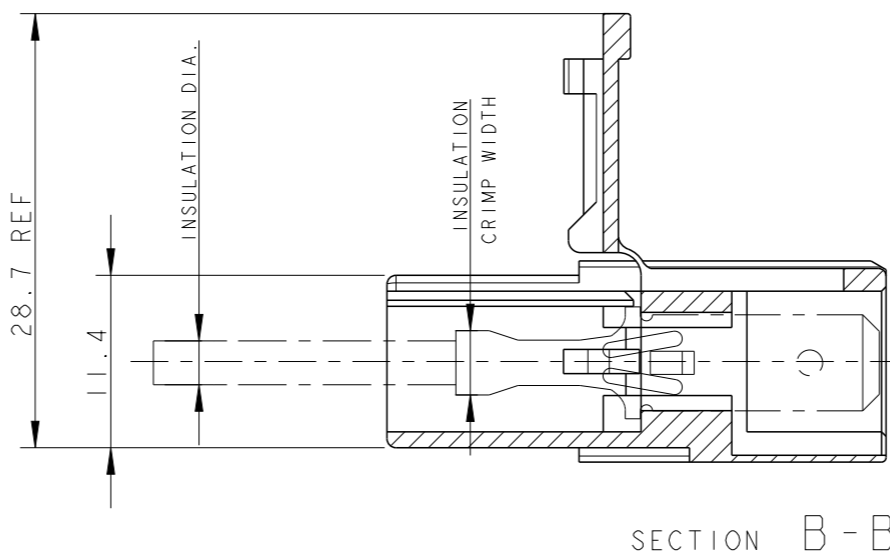
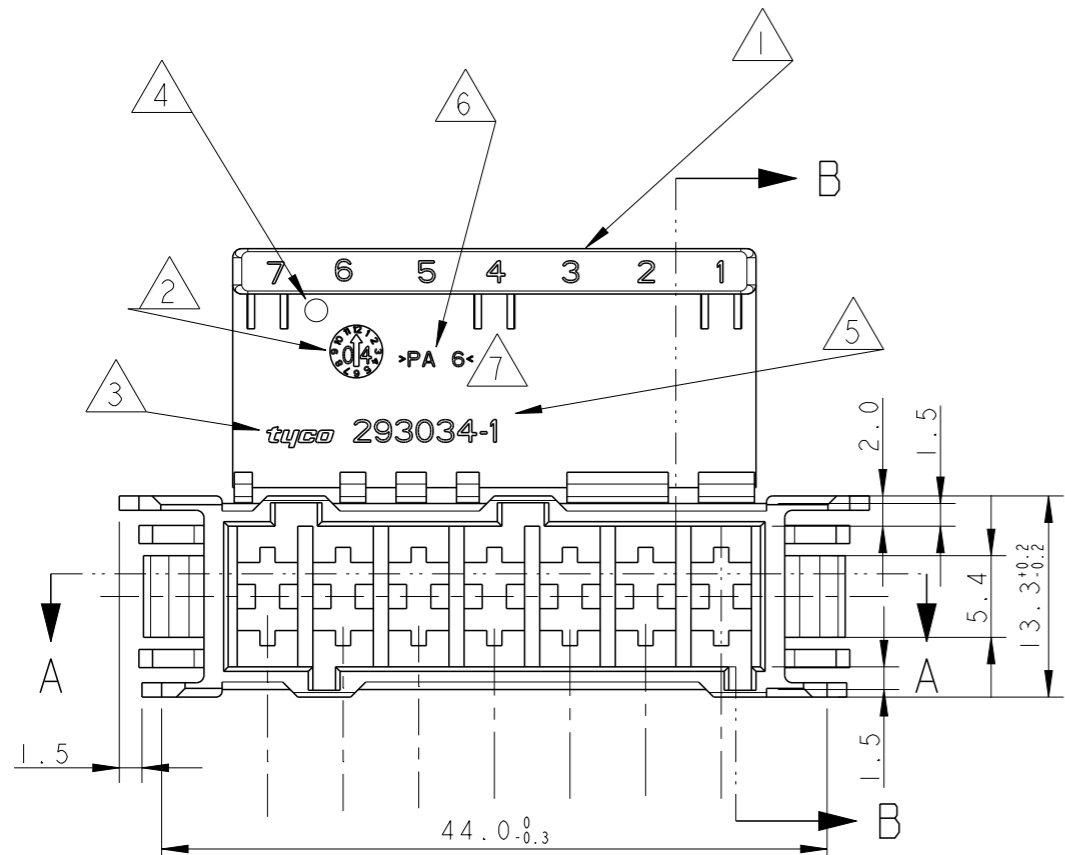
Email & Skype: info@chipsmall.com Web: www.chipsmall.com

Address: A1208, Overseas Decoration Building, #122 Zhenhua RD., Futian, Shenzhen, China



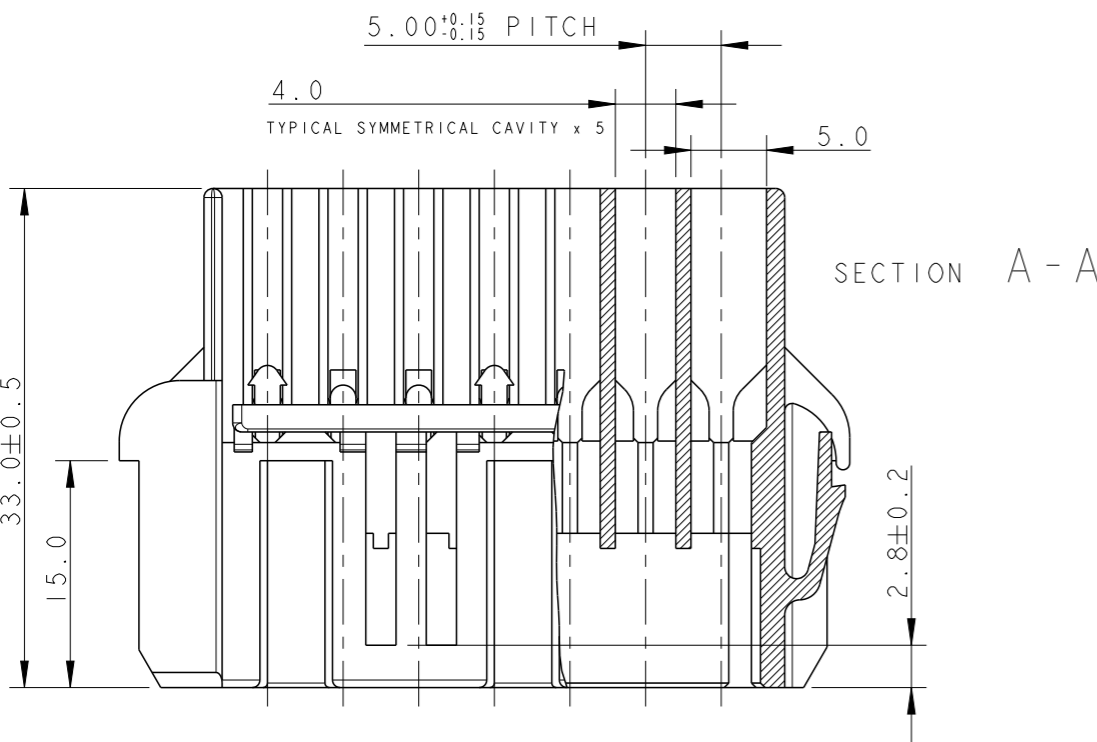
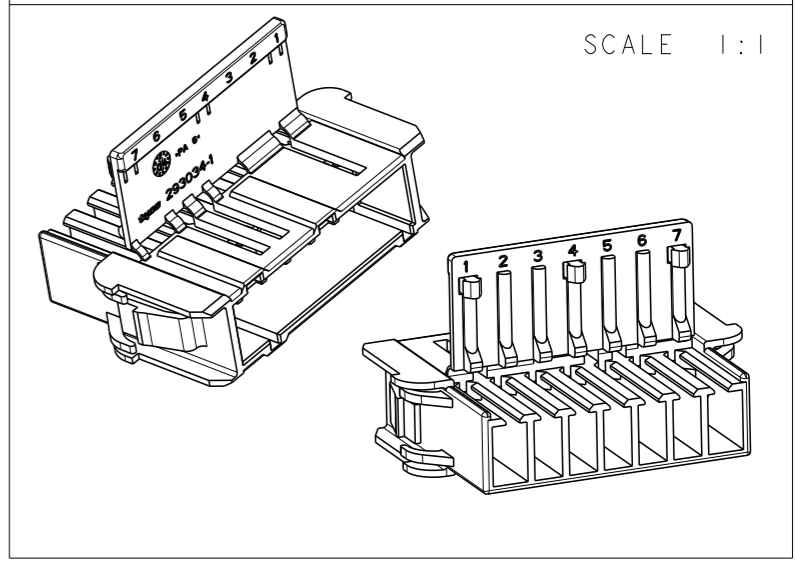
REVISIONS

P	LTR	DESCRIPTION	DATE	DWN	APVD
B		RELEASED, ECR-05-004319	24JUN2005	UA	GT
B1		ADDED DASH 3	9APR2008	HY	GT
B2		ECR-16-006049	29APR2016	KD	RR
B3		ECR-16-013131	19SEP2016	RS	LP



NOTES:

- 1) CIRCUIT IDENTIFICATION NUMBERS 1 TO 7, BOTH SIDES
- 2) DATE CODE
- 3) TYCO TRADEMARK
- 4) MOULD CAVITY IDENTIFICATION
- 5) TE - AMP P/N
- 6) RAW MATERIAL CODE
- 7) MATERIAL: PA6 UNFILLED UL 94-V2, NATURAL COLOR
- 8) CONNECTOR HOUSING SUITABLE FOR MATING WITH:
(PROPERLY CODED WITH RELEVANT APPLICATION MACHINE)
- AMP MONOSHAP Mark I TAB CONNECTOR, P/N 1-293004-7
- AMP MONOSHAP Mark II TAB CONNECTOR, P/N x-284477-2
- 9) CAVITIES SUITABLE FOR .250" SERIES FASTIN-ON TAB CONTACT ACCORDING TO NORM "DIN 46 343"
MAX INS. DIA.: 2.8 mm; MAX INS. CRIMP WIDTH: 3.3 mm
- 10) MATERIAL: PA66 UNFILLED UL 94-V0, NATURAL COLOR
- 11) MATERIAL: PA66 UNFILLED UL 94-V0, GWT 750 NO FLAME, NATURAL COLOR
- 12) PRELIMINARY - NOT RELEASED FOR PRODUCTION



MATERIAL	P/N	REV.
SEE NOTE 7	293034-1	B
SEE NOTE 11	293034-2	1
SEE NOTE 10	293034-3	B

THIS DRAWING IS A CONTROLLED DOCUMENT.		DWN U. AIME 17MAY2004	TE Connectivity	
DIMENSIONS: mm		CHK C. TARTARI 17MAY2004		
TOLERANCES UNLESS OTHERWISE SPECIFIED:		APVD C. TARTARI 17MAY2004	NAME 7 POSITION FASTIN-FASTON TAB HOUSING, 5 mm PITCH (PANEL MOUNT VERSION)	
0 PLC ±- 1 PLC ±0.3 2 PLC ±- 3 PLC ±- 4 PLC ±- ANGLES ±1°		PRODUCT SPEC 108-20256		
MATERIAL SEE NOTE		FINISH -	SIZE A300779 CAGE CODE C-293034 DRAWING NO RESTRICTED TO -	
-		WEIGHT 8.9 g	SCALE 2:1 SHEET 1 OF 1 REV B3	
-		CUSTOMER DRAWING		