



Chipsmall Limited consists of a professional team with an average of over 10 year of expertise in the distribution of electronic components. Based in Hongkong, we have already established firm and mutual-benefit business relationships with customers from,Europe,America and south Asia,supplying obsolete and hard-to-find components to meet their specific needs.

With the principle of "Quality Parts,Customers Priority,Honest Operation,and Considerate Service",our business mainly focus on the distribution of electronic components. Line cards we deal with include Microchip,ALPS,ROHM,Xilinx,Pulse,ON,Everlight and Freescale. Main products comprise IC,Modules,Potentiometer,IC Socket,Relay,Connector.Our parts cover such applications as commercial,industrial, and automotives areas.

We are looking forward to setting up business relationship with you and hope to provide you with the best service and solution. Let us make a better world for our industry!



Contact us

Tel: +86-755-8981 8866 Fax: +86-755-8427 6832

Email & Skype: info@chipsmall.com Web: www.chipsmall.com

Address: A1208, Overseas Decoration Building, #122 Zhenhua RD., Futian, Shenzhen, China



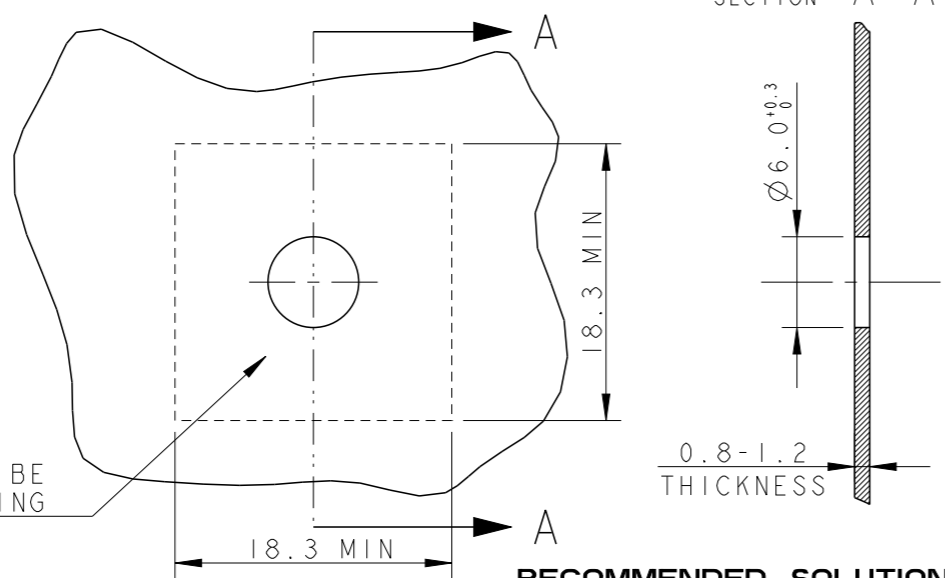
REVISIONS

P	LTR	DESCRIPTION	DATE	DWN	APVD
	A1	ECR-15-017072	23NOV2015	SS	RR

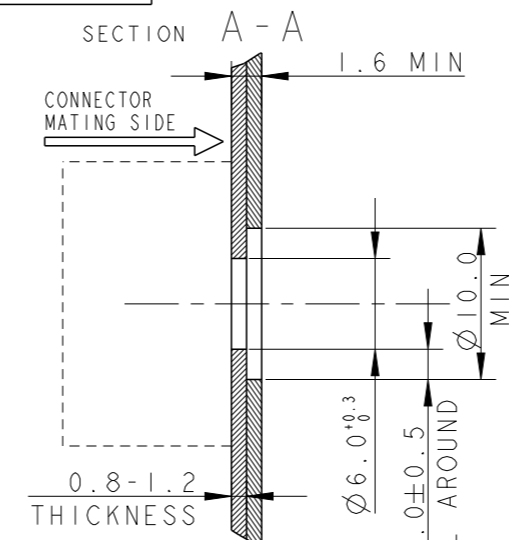
PANEL CUTOUT
(HOLE DIMENSION)
SCALE 2:1

NO BURRS ACCEPTED
AROUND THE EDGES
OF THE HOLES

FLAT AREA TO BE
FREE FOR THE LOCKING

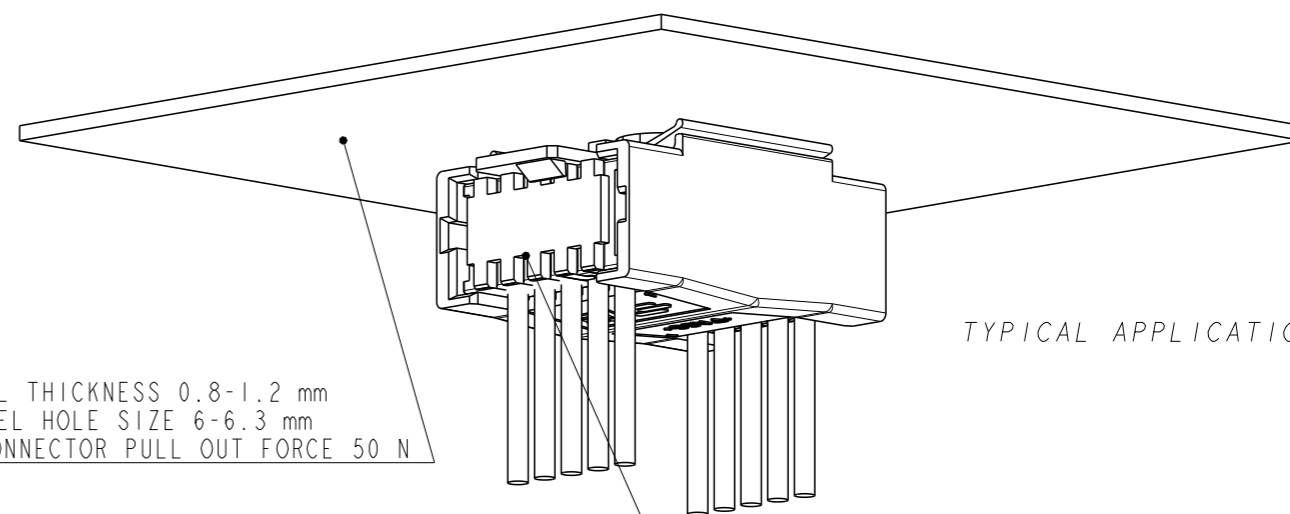
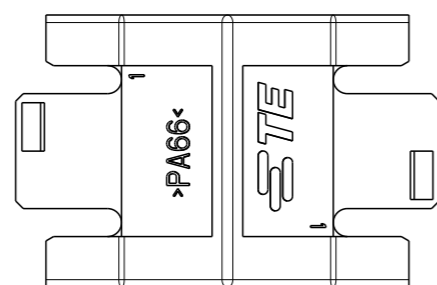


RECOMMENDED SOLUTION



ACCEPTABLE SOLUTION
(OVERLAPPED PANEL)

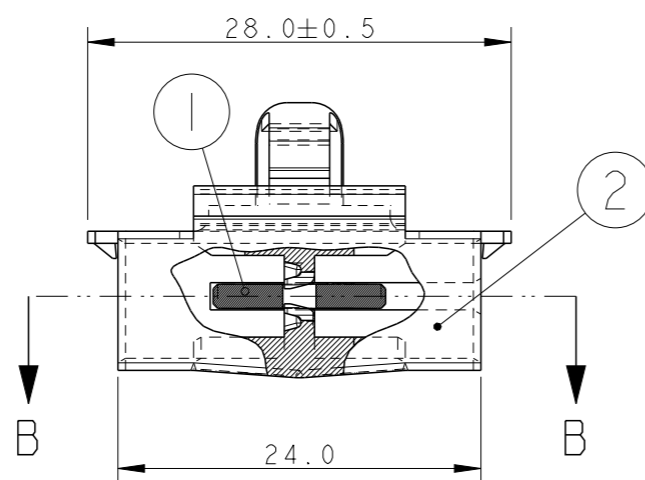
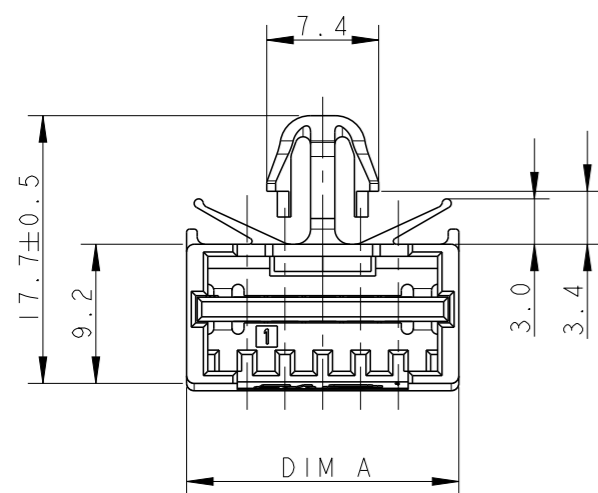
- 1 MATERIAL: POLYAMMIDE ACCORDING TO REQUIREMENT OF NORM IEC 60335-1 (GLOW WIRE TEST 750°C NO FLAME)
- 2 3 POS. - 4 POS. - 5 POS. STANDARD DUOPLUG FEMALE CONNECTOR 2.5mm PITCH. THE 3 POS. DUOPLUG MUST MATE WAY N° 2-3-4 OF THE MALE CONNECTOR (CENTERED).
- 3 PRELIMINARY PART. NOT YET RELEASED FOR PRODUCTION.



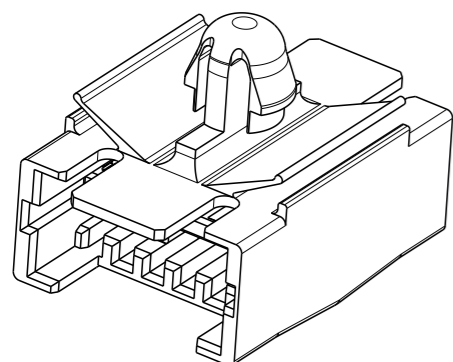
TYPICAL APPLICATION

PANEL THICKNESS 0.8-1.2 mm
PANEL HOLE SIZE 6-6.3 mm
MINIMUM CONNECTOR PULL OUT FORCE 50 N

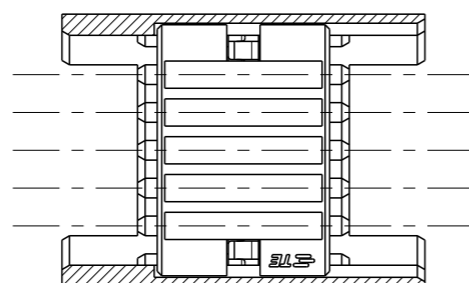
DUOPLUG FEMALE 2.5mm PITCH



25.50	8		EPOXY RESIN	1	8-293036-1	3
23.00	7		EPOXY RESIN	1	7-293036-1	3
18.00	5	2	EPOXY RESIN	1	293036-1	
DIM A	NO OF POSN.	DUOPLUG FEMALE MATING PART	1 P.C.B.	2 HOUSING	PART NUMBER	
			MATERIAL			



293036-1 AS SHOWN



SECTION B-B

THIS DRAWING IS A CONTROLLED DOCUMENT.

DIMENSIONS:
mm



MATERIAL
SEE TABLE

TOLERANCES UNLESS OTHERWISE SPECIFIED:

0 PLC	±0.5
1 PLC	±0.3
2 PLC	±
3 PLC	±
4 PLC	±
ANGLES	±1°
FINISH	-

DWN IIMAY2004

D. CHIARELLI

CHK IIMAY2004

G. TURCO

APVD IIMAY2004

G. TURCO

PRODUCT SPEC

APPLICATION SPEC

WEIGHT 2.74g REF.

Customer Drawing

NAME
MALE CONNECTOR ASS'Y
FOR DUOPLUG 2.5.

SIZE CAGE CODE DRAWING NO RESTRICTED TO

A3 - C-293036 -

SCALE 2:1 SHEET 1 OF 1 REV A1

