



Chipsmall Limited consists of a professional team with an average of over 10 year of expertise in the distribution of electronic components. Based in Hongkong, we have already established firm and mutual-benefit business relationships with customers from,Europe,America and south Asia,supplying obsolete and hard-to-find components to meet their specific needs.

With the principle of “Quality Parts,Customers Priority,Honest Operation,and Considerate Service”,our business mainly focus on the distribution of electronic components. Line cards we deal with include Microchip,ALPS,ROHM,Xilinx,Pulse,ON,Everlight and Freescale. Main products comprise IC,Modules,Potentiometer,IC Socket,Relay,Connector.Our parts cover such applications as commercial,industrial, and automotives areas.

We are looking forward to setting up business relationship with you and hope to provide you with the best service and solution. Let us make a better world for our industry!



## Contact us

Tel: +86-755-8981 8866 Fax: +86-755-8427 6832

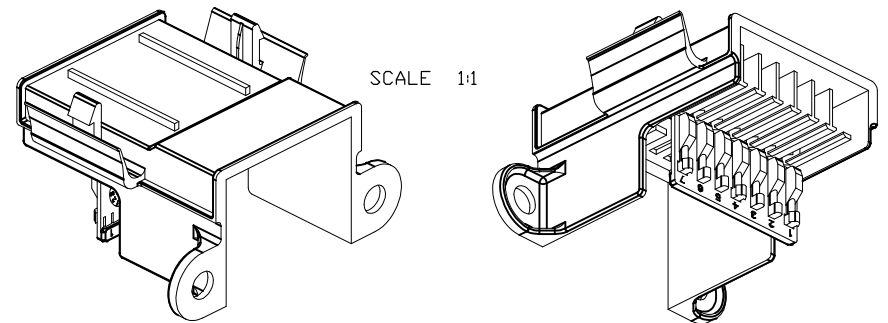
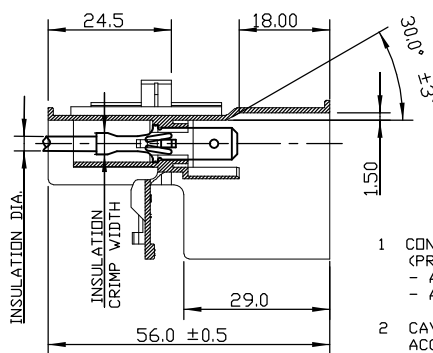
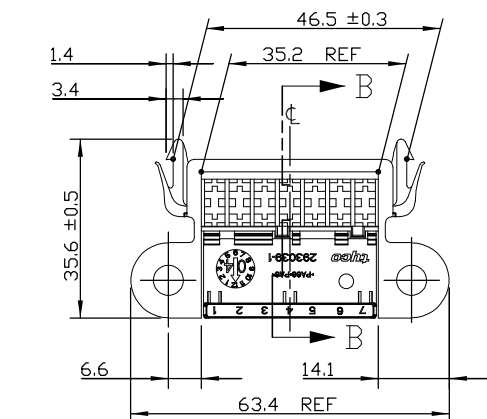
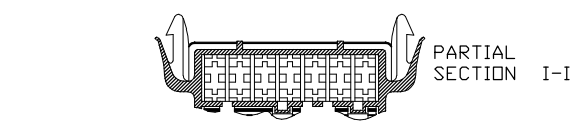
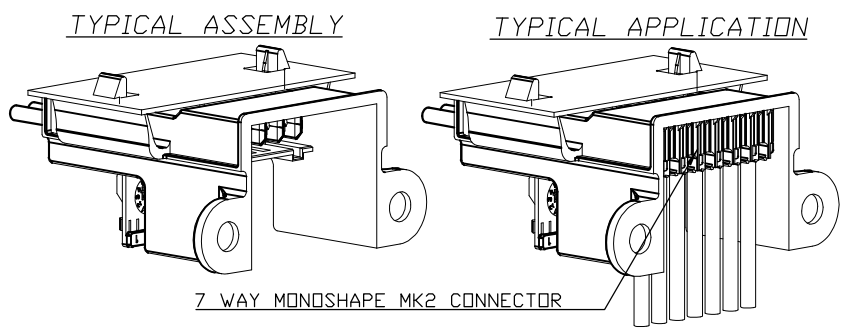
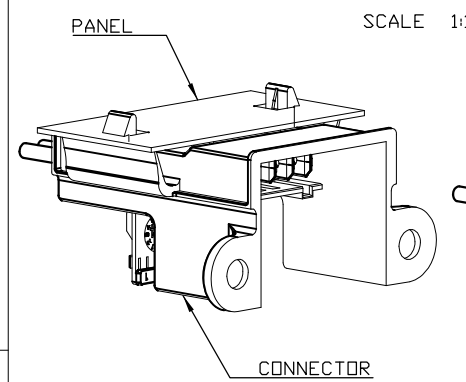
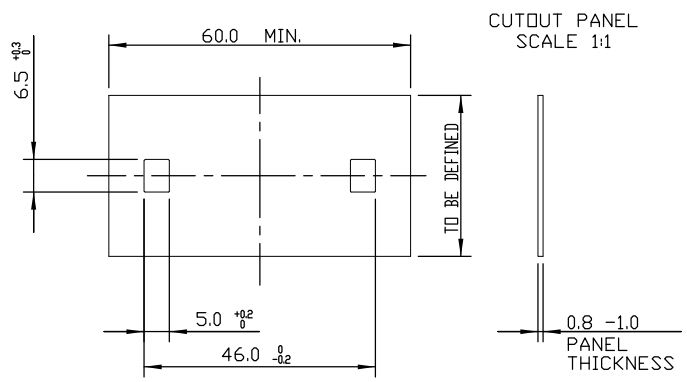
Email & Skype: info@chipsmall.com Web: www.chipsmall.com

Address: A1208, Overseas Decoration Building, #122 Zhenhua RD., Futian, Shenzhen, China



THIS DRAWING IS UNPUBLISHED. RELEASED FOR PUBLICATION 2004  
 © COPYRIGHT 2004 BY TYCO ELECTRONICS CORPORATION. ALL RIGHTS RESERVED.

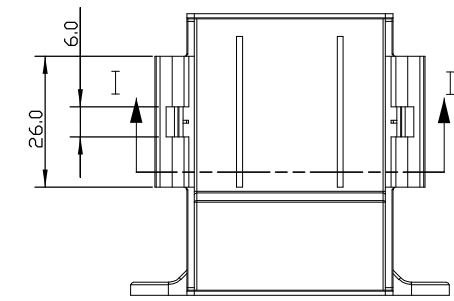
LOC		DIST		REVISIONS		
P	LTR	DESCRIPTION	DATE	DWN	APVD	
I	-					
B3		REVISED - ADDED P/N 293039-2	10JAN2006	D.C.	G.T.	
C		P/N 293039-2 RELEASED	16JUN2006	D.C.	G.T.	
C1		ECR-10-022530	07JAN11	KK	HMR	



- CONNECTOR HOUSING SUITABLE FOR MATING WITH:  
 (PROPERLY CODED WITH RELEVANT APPLICATION MACHINE)  
 - AMP MONDOSHAP Mark II TAB CONNECTOR, P/N x-284477-2  
 - AMP MONDOSHAP Mark I TAB CONNECTOR, P/N 1-293004-7
- CAVITIES SUITABLE FOR .250" SERIES FASTIN-ON TAB CONTACT  
 ACCORDING TO NORM "DIN 46 343"  
 MAX INS. DIA: 2.8 mm; MAX INS. CRIMP WIDTH: 3.3 mm  
 (E.G. TE P/N 293041-2)

**3** OBSOLETE

PA UNFILLED ACCORDING TO UL94-V2, GW 750°C NO FLAME, COLOUR NATURAL	293039-2	C
PA66/6 UNFILLED ACCORDING TO UL94-V0 COLOUR NATURAL	<b>3</b> 293039-1	B
MATERIAL	P/N	REV.



THE PRESENTED PRODUCT / DESIGN WILL BE  
 RELEASED FOR THE MANUFACTURING OF  
 THE NECESSARY PRODUCTION TOOLS HEREBY.  
 FURTHER CHANGES HAS TO BE PAID BY CUSTOMER.  
 DATE, SIGN OF THE CUSTOMER

THIS DRAWING IS A CONTROLLED DOCUMENT FOR TYCO ELECTRONICS CORPORATION  
 IT IS SUBJECT TO CHANGE AND THE CONTROLLING ENGINEERING ORGANIZATION  
 SHOULD BE CONTACTED FOR THE LATEST REVISION.

DIMENSIONS:	TOLERANCES UNLESS OTHERWISE SPECIFIED:
mm	
0 PLC	±0.5
1 PLC	±0.3
2 PLC	±0.1
3 PLC	±
4 PLC	±
ANGLES	±1°
MATERIAL	FINISH
SEE TABLE	-

DWN D. CHIARELLI	10DEC2004	<b>STE</b> TE Connectivity	NAME 7 POS. F.F. TAB HOUSING MOTOR MOUNT, WITH WATER PROTECTION
CHK G. TURCO	10DEC2004		
APVD G. TURCO	10DEC2004	SIZE A3	CAGE CODE 00779
PRODUCT SPEC		DRAWING NO C=293039	RESTRICTED TO
APPLICATION SPEC		SCALE 1:1	SHEET 1 OF 1
WEIGHT 13,2 g (ESTIMATED)			REV C1
CUSTOMER DRAWING			