



Chipsmall Limited consists of a professional team with an average of over 10 year of expertise in the distribution of electronic components. Based in Hongkong, we have already established firm and mutual-benefit business relationships with customers from,Europe,America and south Asia,supplying obsolete and hard-to-find components to meet their specific needs.

With the principle of “Quality Parts,Customers Priority,Honest Operation,and Considerate Service”,our business mainly focus on the distribution of electronic components. Line cards we deal with include Microchip,ALPS,ROHM,Xilinx,Pulse,ON,Everlight and Freescale. Main products comprise IC,Modules,Potentiometer,IC Socket,Relay,Connector.Our parts cover such applications as commercial,industrial, and automotives areas.

We are looking forward to setting up business relationship with you and hope to provide you with the best service and solution. Let us make a better world for our industry!



Contact us

Tel: +86-755-8981 8866 Fax: +86-755-8427 6832

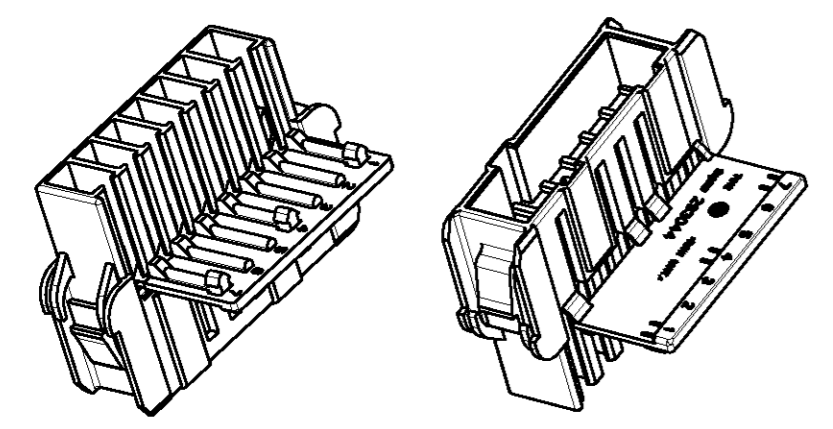
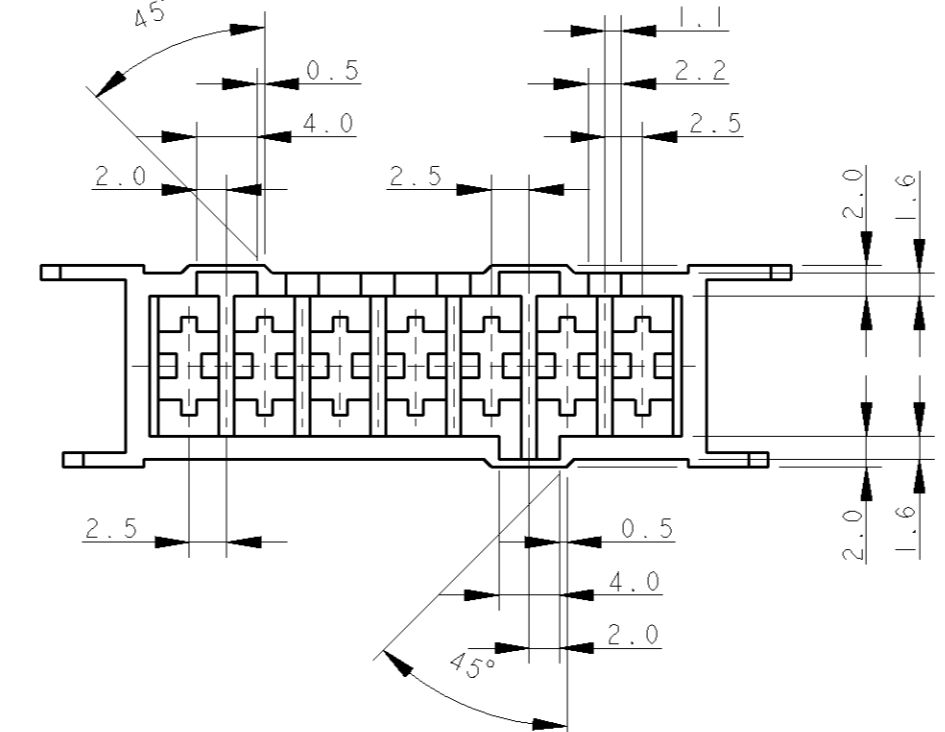
Email & Skype: info@chipsmall.com Web: www.chipsmall.com

Address: A1208, Overseas Decoration Building, #122 Zhenhua RD., Futian, Shenzhen, China

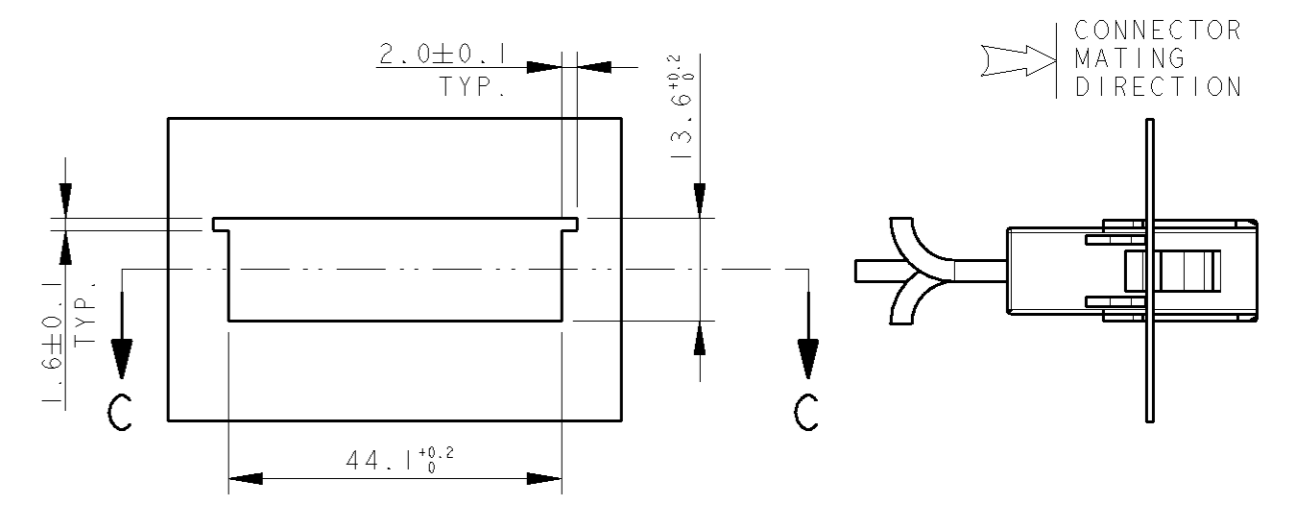
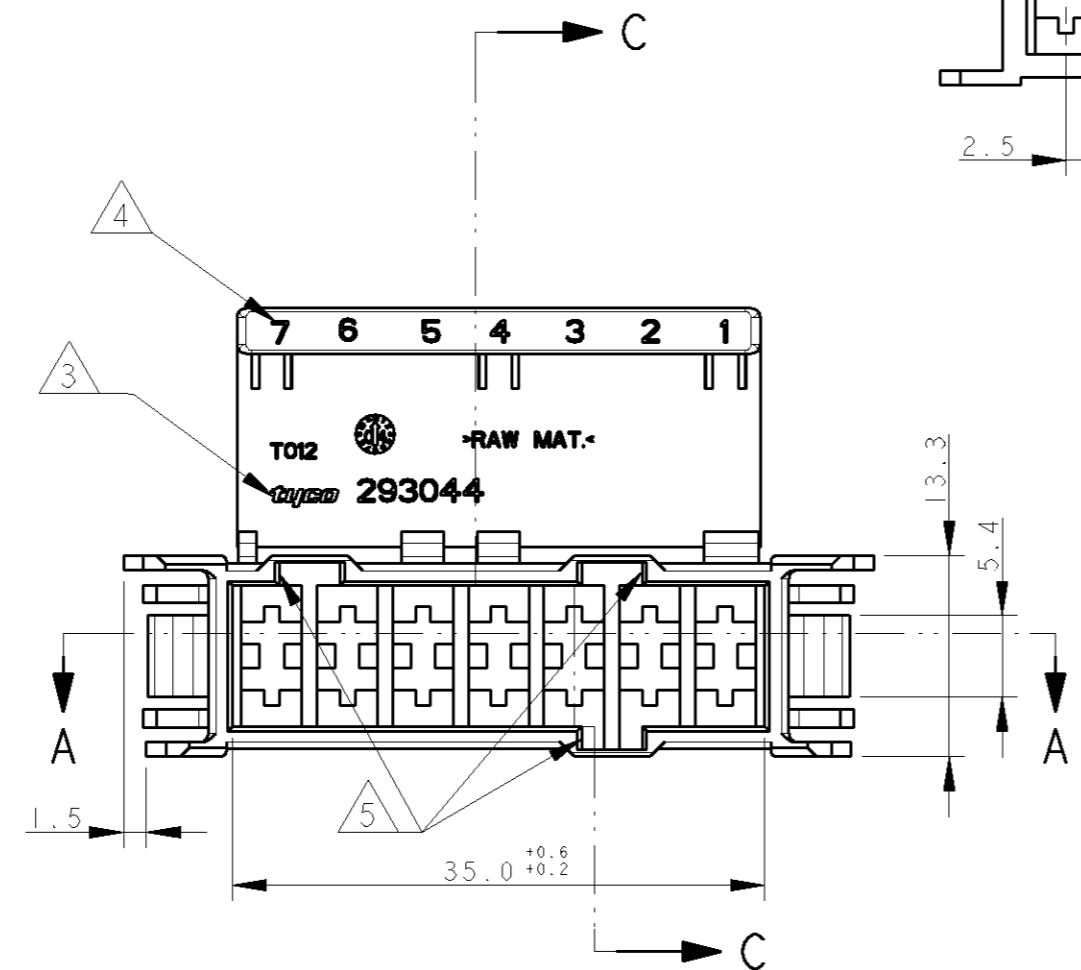


REVISIONS					
P	LTR	DESCRIPTION	DATE	DWN	APVD
0		FIRST EMISSION	20 JAN 2005	H. Y.	G. T.
A		RELEASED FOR ECR-05-003685	24 JUN 2005	H. Y.	G. T.

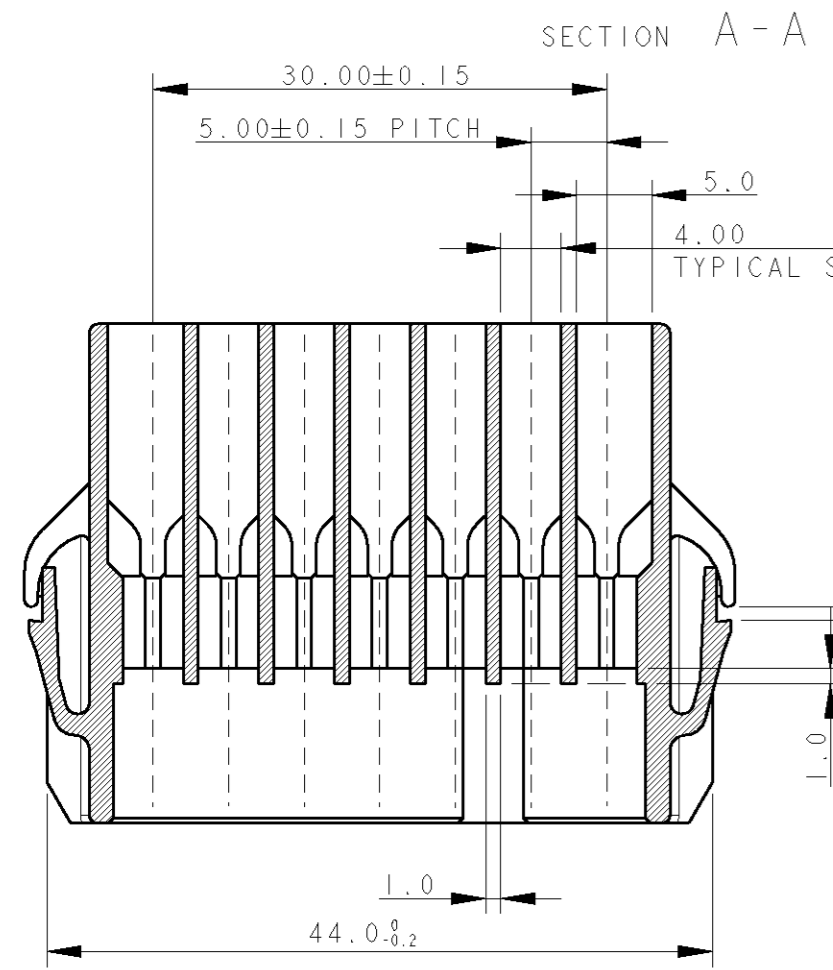
POLARIZATION KEYS SCHEME



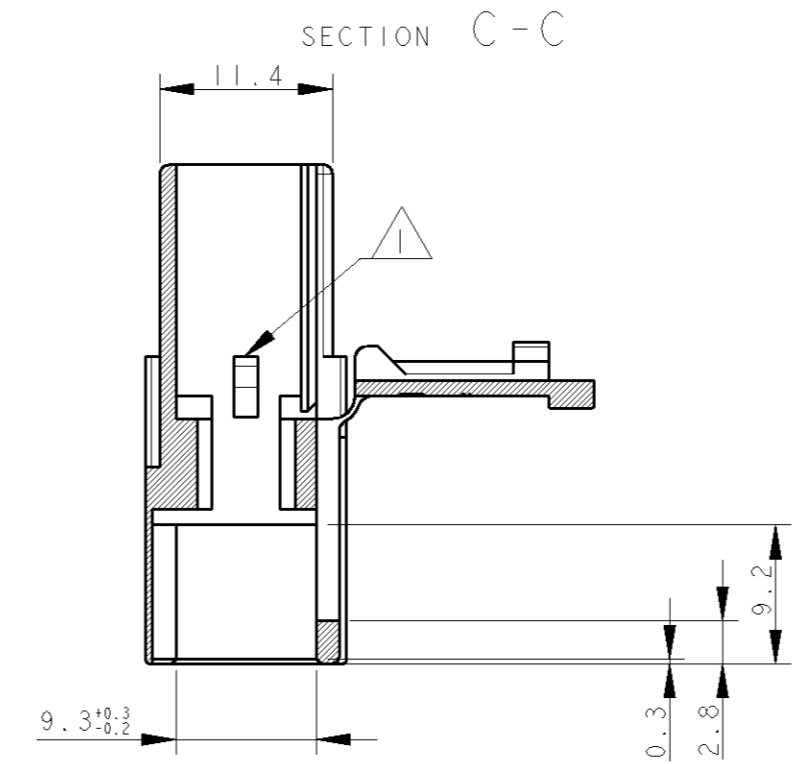
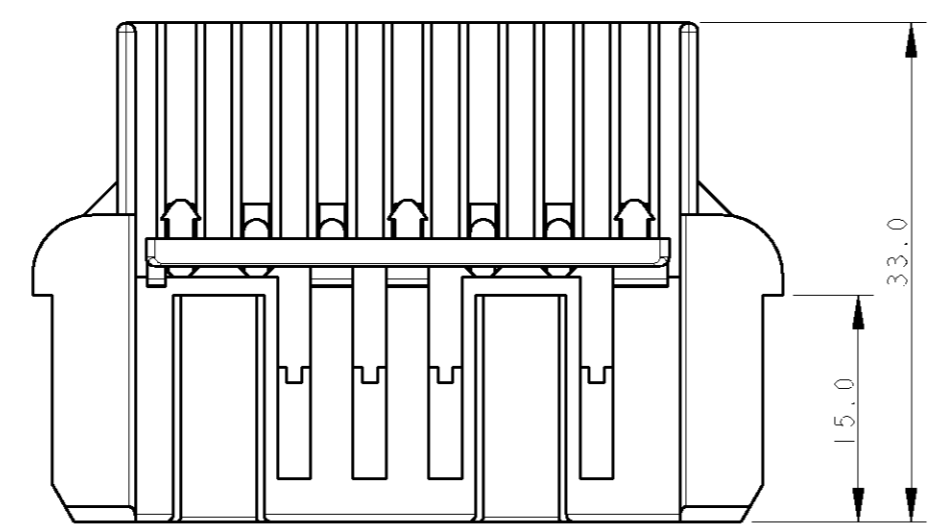
SCALE 1:1



SECTION C-C

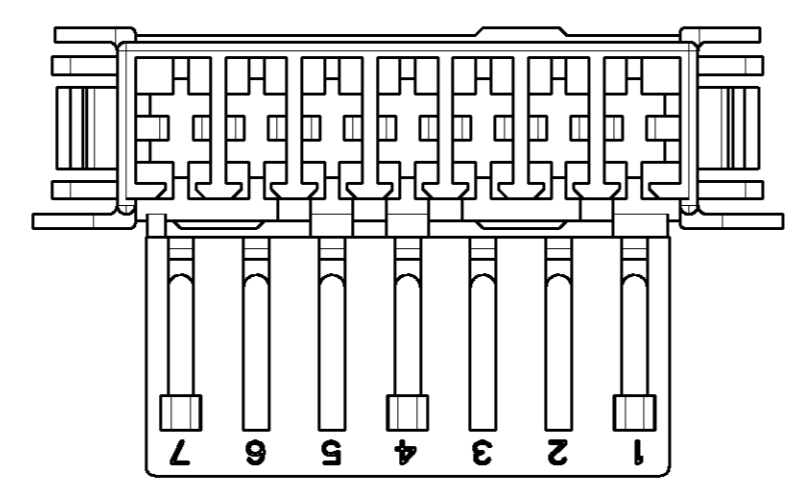


SECTION A-A



SECTION C-C

- 1 TYPICAL CAVITY SUITABLE FOR:
 FASTIN-FASTON TAB CONTACTS 6.3 mm SRS:
 P/N: 60294, 0.3-0.8 mm² WIRE RANGE
 160691, 0.3-0.8 mm² WIRE RANGE
 AMPLIVAR CONTACTS:
 P/N: 141051, 0.1-0.5 mm² WIRE RANGE
 142411, 0.3-1.6 mm² WIRE RANGE
 MAX. INSULATION DIA. 2.8 mm,
 MAX. INSULATION CRIMP WIDTH 3.3 mm.
- 2 PA6 UNFILLED, NATURE COLOUR
 ACCORDING TO IEC 60335-1 NORM.
- 3 TYCO TRADEMARK "LOGO" AND
 TYCO ELECTRONICS "PART NUMBER"
 OPTIONAL POSITION.
- 4 CIRCUIT IDENTIFICATION NUMBERS, 1 TO 7
- 5 POLARIZATION KEYS
- 6 PACKAGED ACCORDING TO TYCO SPEC. 107-20248.



NATURALE (NATUR)	VEDI NOTA 2 (SEE NOTE 2)	293044-1	A
COLORE (COLOUR)	MATERIALE (MATERIAL)	NUMERO (TYCO P/N)	REV

THIS DRAWING IS A CONTROLLED DOCUMENT FOR TYCO ELECTRONICS CORPORATION. IT IS SUBJECT TO CHANGE AND THE CONTROLLING ENGINEERING ORGANIZATION SHOULD BE CONTACTED FOR THE LATEST REVISION.		DWN H. YAALI	20 JAN 2005	tyco Electronics AMP Italia S.p.A. C.so F. Cervi, 15 COLLEGGNO (TO)
DIMENSIONS: mm		CHK G. TURCO	APVD	
TOLERANCES UNLESS OTHERWISE SPECIFIED:		PRODUCT SPEC		NAME 7 POS. FASTIN-FASTON Connector TAB HOUSING, RAST 5 0.8-1.0 MM THK. PANEL MOUNT VERSION
0 PLC ±		108-20256		
1 PLC ±0.3		APPLICATION SPEC		SIZE
2 PLC ±		WEIGHT		CAGE CODE
3 PLC ±		9.0 GR		DRAWING NO
4 PLC ±		CUSTOMER DRAWING		A2 00779
ANGLES		SCALE		2:1
FINISH		SHEET		1 OF 1
SEE TABLE		REV		A