



Chipsmall Limited consists of a professional team with an average of over 10 year of expertise in the distribution of electronic components. Based in Hongkong, we have already established firm and mutual-benefit business relationships with customers from,Europe,America and south Asia,supplying obsolete and hard-to-find components to meet their specific needs.

With the principle of “Quality Parts,Customers Priority,Honest Operation,and Considerate Service”,our business mainly focus on the distribution of electronic components. Line cards we deal with include Microchip,ALPS,ROHM,Xilinx,Pulse,ON,Everlight and Freescale. Main products comprise IC,Modules,Potentiometer,IC Socket,Relay,Connector.Our parts cover such applications as commercial,industrial, and automotives areas.

We are looking forward to setting up business relationship with you and hope to provide you with the best service and solution. Let us make a better world for our industry!



Contact us

Tel: +86-755-8981 8866 Fax: +86-755-8427 6832

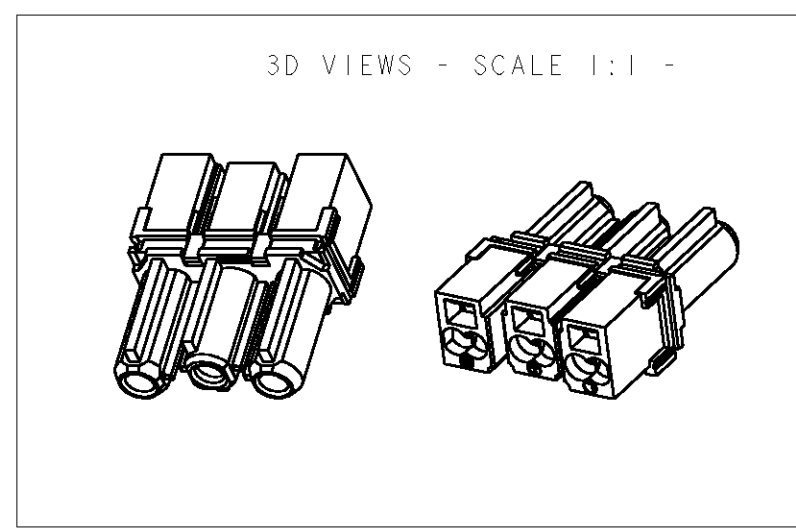
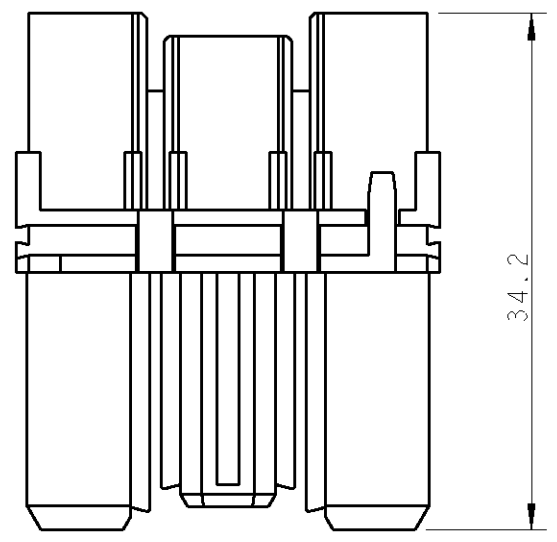
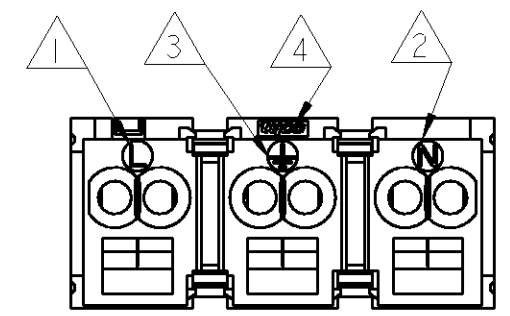
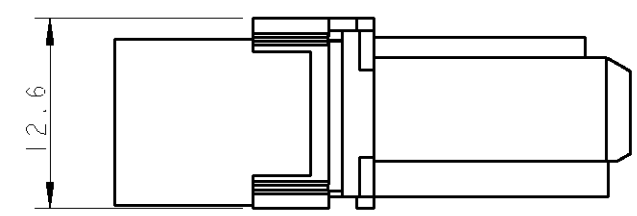
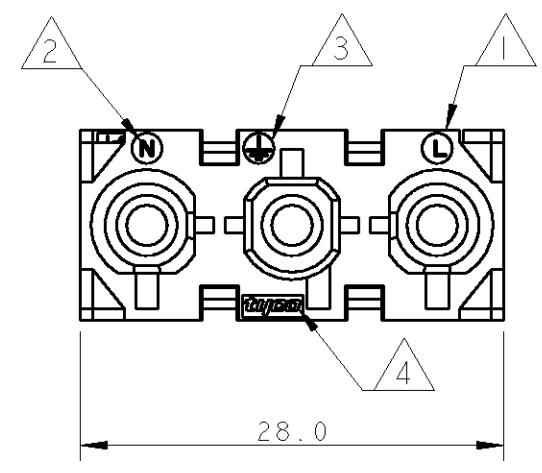
Email & Skype: info@chipsmall.com Web: www.chipsmall.com

Address: A1208, Overseas Decoration Building, #122 Zhenhua RD., Futian, Shenzhen, China



THIS DRAWING IS UNPUBLISHED. RELEASED FOR PUBLICATION 2006
 © COPYRIGHT 2006 BY TYCO ELECTRONICS CORPORATION. ALL RIGHTS RESERVED.

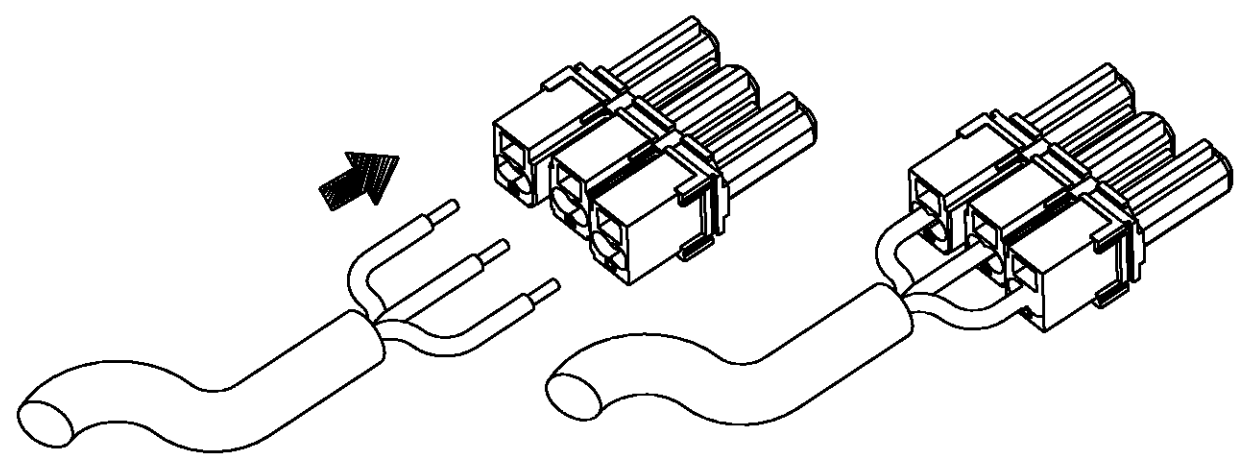
LOC	DIST	REVISIONS					
		P	LTR	DESCRIPTION	DATE	DWN	APVD
1	-		0	FIRST ISSUE	10APR2006	UA	GT



NOTES:

- 1 LINE SYMBOL
- 2 NEUTRAL SYMBOL
- 3 PE SYMBOL
- 4 TYCO TRADEMARK
- 5) PACKAGING ACCORDING TO TYCO SPEC. 107-20252
- 6) FOR FREE-HANGING VERSION (SEE SHEET 2 OF 2) TYCO NECTOR* HERMAPH. SHELL P/N 293054 MUST BE USED
- 7) FOR PANEL MOUNT VERSION (SEE SHEET 2 OF 2) TYCO NECTOR* PANEL MOUNT FRAME P/N 293053 MUST BE USED
- 8) FOR INSTALLATIONS ACCORDING TO VDE 0606-200 LOCKING DEVICES P/N 293129 (FREE-HANGING VERSION) OR P/N 293130 (PANEL MOUNT VERSION) MUST BE USED
- 9) FOR UNENGAGED INSTALLATIONS ACCORDING TO VDE 0606-200 PLASTIC TAPS P/N 293134 (FOR RECPT. CONNS.) OR P/N 293135 (FOR PLUG CONNS.) MUST BE USED

- INSULATION DIA < 9.0 mm: REMOVE INSULATION JACKET FOR A LENGTH OF 20 ± 1 mm
- INSULATION DIA ≥ 9.0 mm: REMOVE INSULATION JACKET FOR A LENGTH OF 30 ± 1 mm
- STRIP WIRES FOR A LENGTH OF 11 mm
- MAKE ULTRASOUND SOLDERING ON THE WRAPPED WIRES



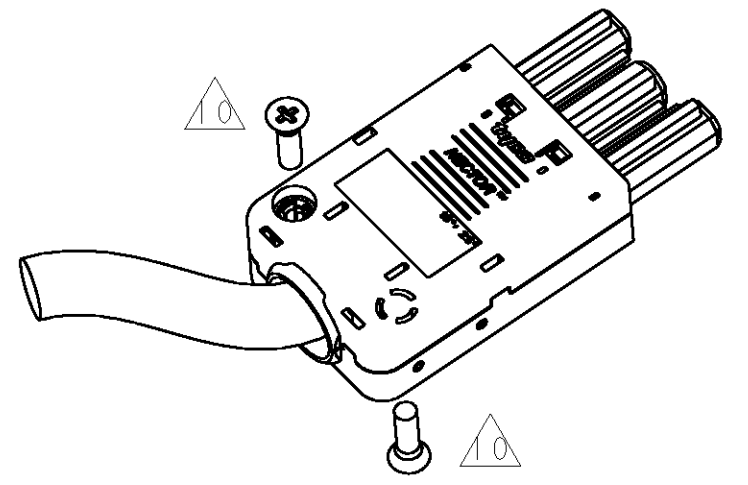
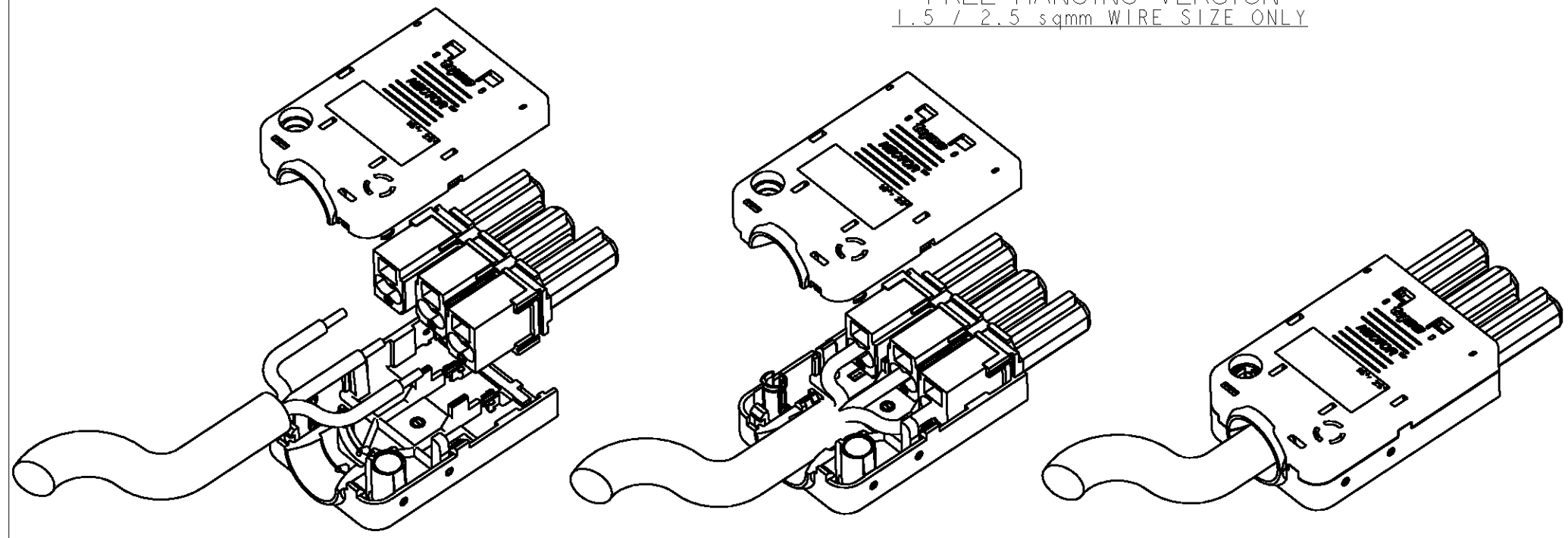
293046-2	WHITE	A
293046-1	BLACK	A
TYCO P/N	COLOUR	REV.

<small>THIS DRAWING IS A CONTROLLED DOCUMENT FOR TYCO ELECTRONICS CORPORATION IT IS SUBJECT TO CHANGE AND THE CONTROLLING ENGINEERING ORGANIZATION SHOULD BE CONTACTED FOR THE LATEST REVISION.</small>		DWN U.A.I.M.E 10APR2006 CHK U.A.I.M.E 10APR2006 APVD G.TURCO 10APR2006		AMP Italia S.p.A. C.so F.lli Cervi 15 Collegno (TO)	
DIMENSIONS: mm 		TOLERANCES UNLESS OTHERWISE SPECIFIED: 0 PLC ±- 1 PLC ±0.3 2 PLC ±- 3 PLC ±- 4 PLC ±- ANGLES ±1		NAME TYCO NECTOR* 3 POS. PLUG CONN. SPRING CLAMP TERM.	
MATERIAL -		FINISH -		PRODUCT SPEC - APPLICATION SPEC - WEIGHT -	
CUSTOMER DRAWING				SIZE A3 CAGE CODE 300779 DRAWING NO C-293046	RESTRICTED TO - SCALE 2:1 SHEET 1 OF 2 REV 0

THIS DRAWING IS UNPUBLISHED. RELEASED FOR PUBLICATION 2006
 © COPYRIGHT 2006 BY TYCO ELECTRONICS CORPORATION. ALL RIGHTS RESERVED.

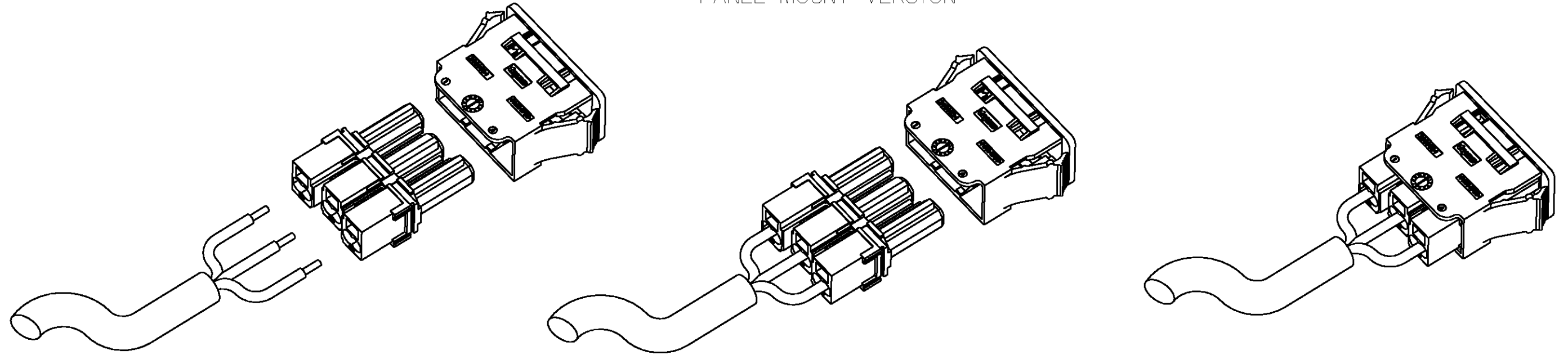
LOC	DIST	REVISIONS			
P	LTR	DESCRIPTION	DATE	DWN	APVD

FREE HANGING VERSION
 1.5 / 2.5 sqmm WIRE SIZE ONLY



OPTIONAL SCREWS M3 x 12 - NOT INCLUDED
 (SCREWS ACCORDING TO: "UNI 9709" OR
 "UNI 9707" OR "UNI 10228" OR "UNI 10227")

PANEL MOUNT VERSION



THIS DRAWING IS A CONTROLLED DOCUMENT FOR TYCO ELECTRONICS CORPORATION
 IT IS SUBJECT TO CHANGE AND THE CONTROLLING ENGINEERING ORGANIZATION
 SHOULD BE CONTACTED FOR THE LATEST REVISION.

DIMENSIONS:	TOLERANCES UNLESS OTHERWISE SPECIFIED:
mm	
	0 PLC ±-
	1 PLC ±0.3
	2 PLC ±-
	3 PLC ±-
	4 PLC ±-
	ANGLES ±1
MATERIAL	FINISH
-	-

DWN	U.A.I.M.E	10APR2006
CHK	U.A.I.M.E	10APR2006
APVD	G.TURCO	10APR2006
PRODUCT SPEC	-	-
APPLICATION SPEC	-	-
WEIGHT	-	-

tyco Electronics		AMP Italia S.p.A. C.so F.lli Cervi 15 Collegno (TO)	
NAME TYCO NECTOR* 3 POS. PLUG CONN. SPRING CLAMP TERM.			
SIZE	CAGE CODE	DRAWING NO	RESTRICTED TO
A3	00779	C-293046	-

CUSTOMER DRAWING	SCALE 2:1	SHEET 2 OF 2	REV 0
------------------	-----------	--------------	-------