



Chipsmall Limited consists of a professional team with an average of over 10 year of expertise in the distribution of electronic components. Based in Hongkong, we have already established firm and mutual-benefit business relationships with customers from,Europe,America and south Asia,supplying obsolete and hard-to-find components to meet their specific needs.

With the principle of “Quality Parts,Customers Priority,Honest Operation,and Considerate Service”,our business mainly focus on the distribution of electronic components. Line cards we deal with include Microchip,ALPS,ROHM,Xilinx,Pulse,ON,Everlight and Freescale. Main products comprise IC,Modules,Potentiometer,IC Socket,Relay,Connector.Our parts cover such applications as commercial,industrial, and automotives areas.

We are looking forward to setting up business relationship with you and hope to provide you with the best service and solution. Let us make a better world for our industry!



Contact us

Tel: +86-755-8981 8866 Fax: +86-755-8427 6832

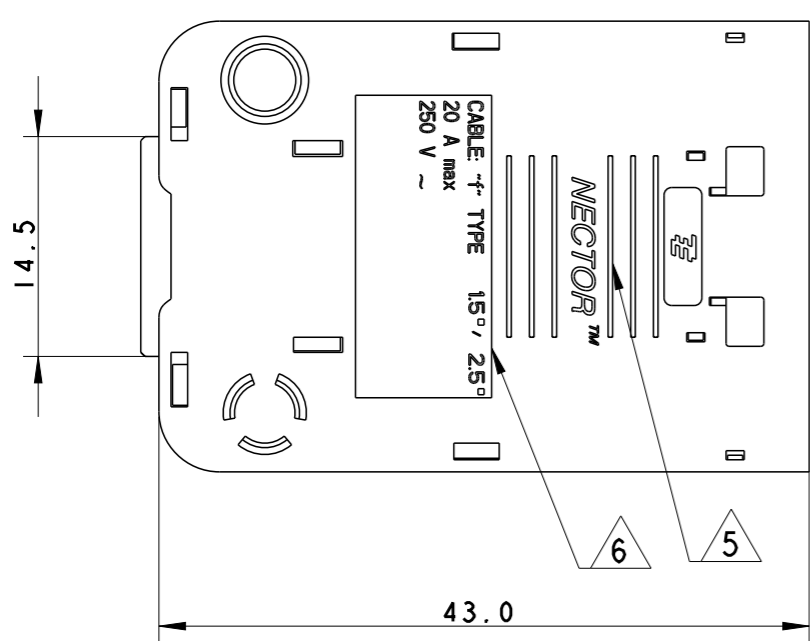
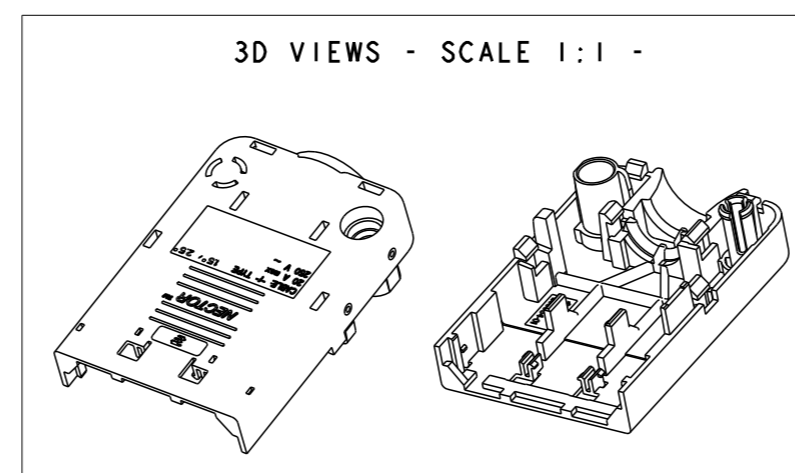
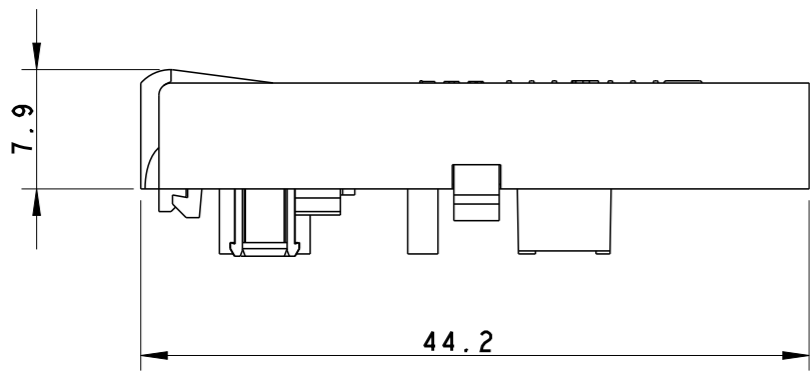
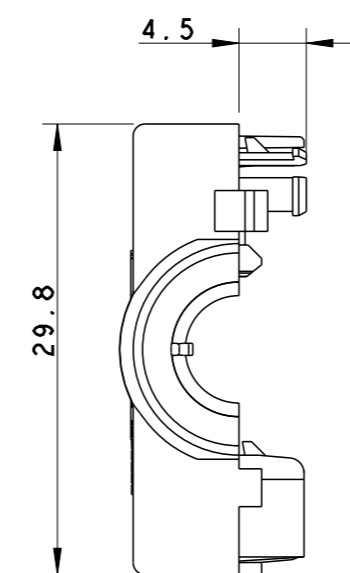
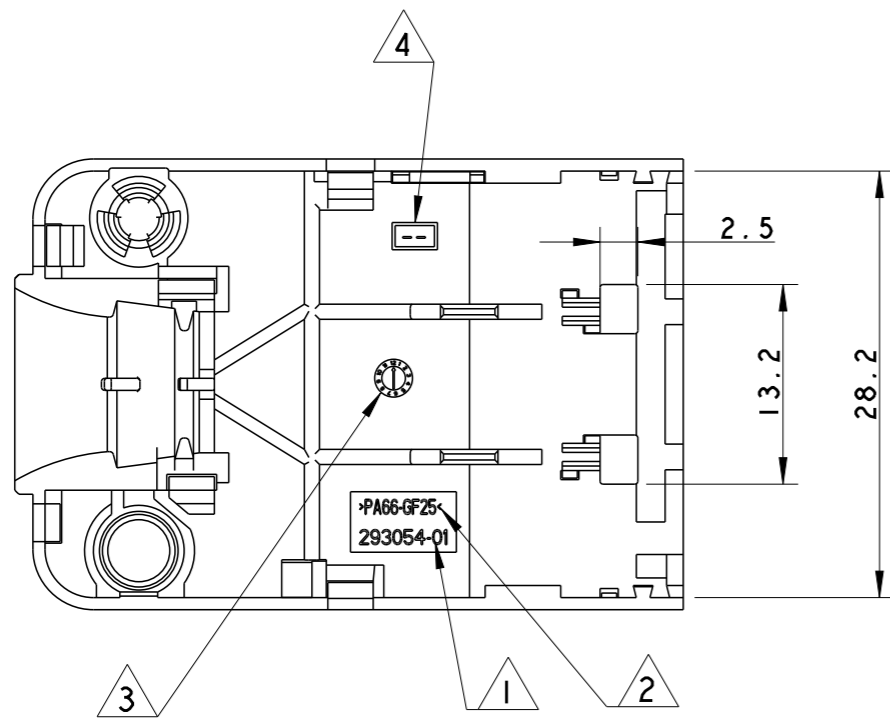
Email & Skype: info@chipsmall.com Web: www.chipsmall.com

Address: A1208, Overseas Decoration Building, #122 Zhenhua RD., Futian, Shenzhen, China



THIS DRAWING IS UNPUBLISHED. RELEASED FOR PUBLICATION 2006
 © COPYRIGHT 2006 BY TYCO ELECTRONICS CORPORATION, ALL RIGHTS RESERVED.

LOC	DIST	REVISIONS				
P	LTR	DESCRIPTION	DATE	DWN	APVD	
1	-	0	-FIRST ISSUE	04MAY2006	UA	GT
		B	ECR-10-021916	25OCT2010	UA	GT



- NOTES:
- 1) TE P/N
 - 2) RAW MAT'L CODE
 - 3) DATE CODE
 - 4) MOULD CAVITY IDENTIFICATION
 - 5) TE NECTOR TRADEMARK
 - 6) WIRE SIZE INDICATION
 - MIN.: 1.5 sqmm
 - MAX.: 2.5 sqmm
 - 7) CABLES TO BE USED:
 - MIN. INSULATION DIA.: 8.3 mm (WIRE SIZE 1.5sqmm)
 - MAX. INSULATION DIA.: 10.2 mm (WIRE SIZE 2.5sqmm)
 - 8) PACKAGING ACCORDING TO TYCO SPEC 107-20252
 - 9) TO BE USED ON FREE-HANGING VERSION
 - SPRING CLAMP VERSION (SEE TE C-DWGS 293046, 293045)
 - SCREW VERSION (SEE TE C-DWGS 293049, 293047)
 - CRIMP VERSION (SEE TE C-DWGS 293052, 293051)
 - 10) OPTIONAL SCREWS M3x12 (NOT INCLUDED) ACCORDING TO "UNI9709", OR "UNI 9707", OR "UNI10227", OR "UNI10228"

293054-2	WHITE	B
293054-1	BLACK	B
TYCO P/N	COLOUR	REV.

P/N 293054-1 AS SHOWN

<small>THIS DRAWING IS A CONTROLLED DOCUMENT FOR TYCO ELECTRONICS CORPORATION IT IS SUBJECT TO CHANGE AND THE CONTROLLING ENGINEERING ORGANIZATION SHOULD BE CONTACTED FOR THE LATEST REVISION.</small>		DWN U. AIME 04MAY2006 CHK U. AIME 04MAY2006 APVD G. TURCO 04MAY2006	AMP Italia S.p.A. C.so F.lli Cervi 15 Collegno (TO)
DIMENSIONS: mm 	TOLERANCES UNLESS OTHERWISE SPECIFIED: 0 PLC ±0.3 1 PLC ±0.3 2 PLC ±0.3 3 PLC ±0.3 4 PLC ±0.3 ANGLES ±1 FINISH -	NAME TYCO NECTOR* HERMAPHRODITE HALF SHELL FOR 3 POS. CONN.S PRODUCT SPEC 108-20268 APPLICATION SPEC -	SIZE A3 CAGE CODE 00779 DRAWING NO C-293054 RESTRICTED TO -
MATERIAL PA66 GF25 UL 94 V0	WEIGHT - CUSTOMER DRAWING	SCALE 5:1 SHEET 1 OF 1 REV B	