



Chipsmall Limited consists of a professional team with an average of over 10 year of expertise in the distribution of electronic components. Based in Hongkong, we have already established firm and mutual-benefit business relationships with customers from,Europe,America and south Asia,supplying obsolete and hard-to-find components to meet their specific needs.

With the principle of “Quality Parts,Customers Priority,Honest Operation,and Considerate Service”,our business mainly focus on the distribution of electronic components. Line cards we deal with include Microchip,ALPS,ROHM,Xilinx,Pulse,ON,Everlight and Freescale. Main products comprise IC,Modules,Potentiometer,IC Socket,Relay,Connector.Our parts cover such applications as commercial,industrial, and automotives areas.

We are looking forward to setting up business relationship with you and hope to provide you with the best service and solution. Let us make a better world for our industry!



Contact us

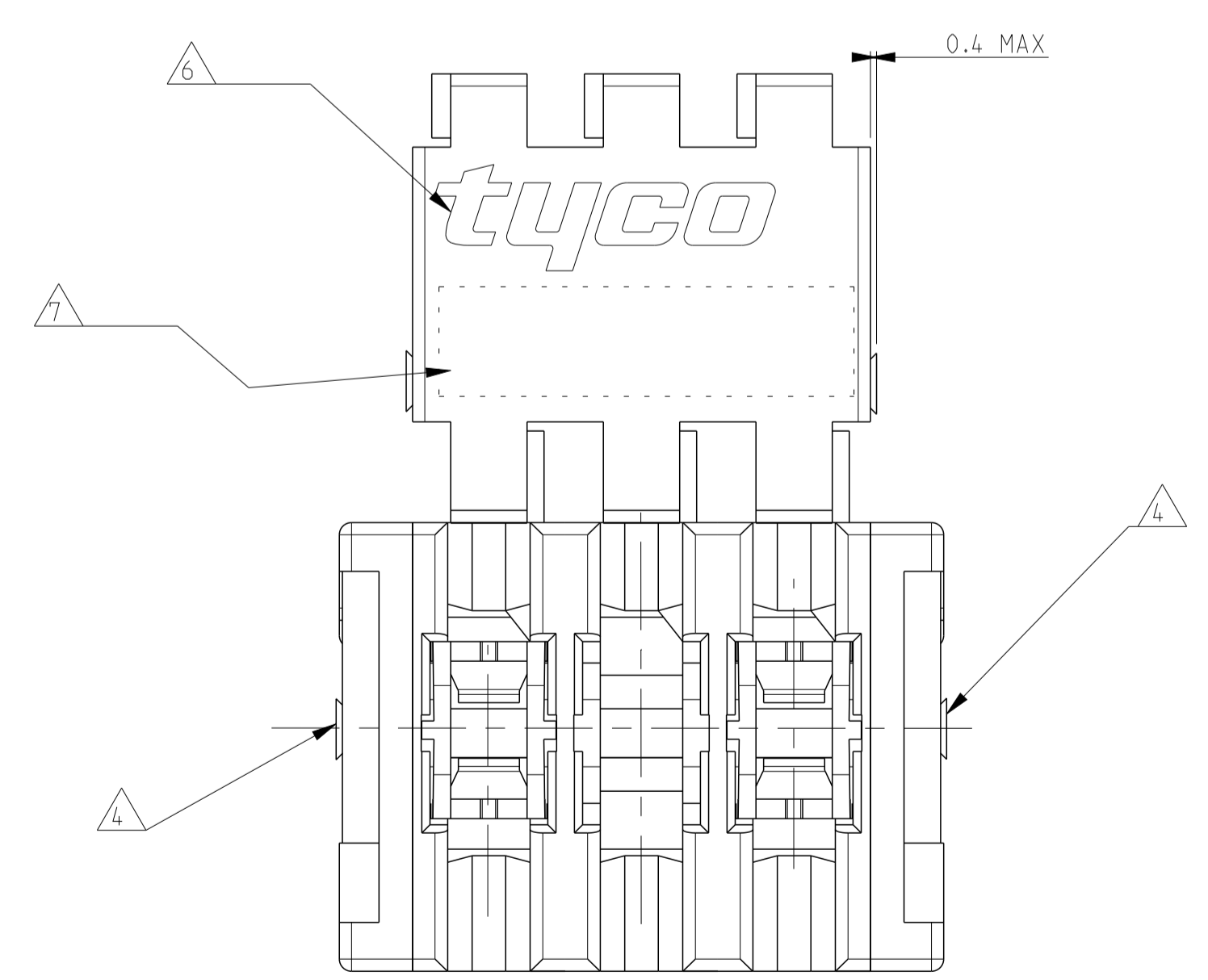
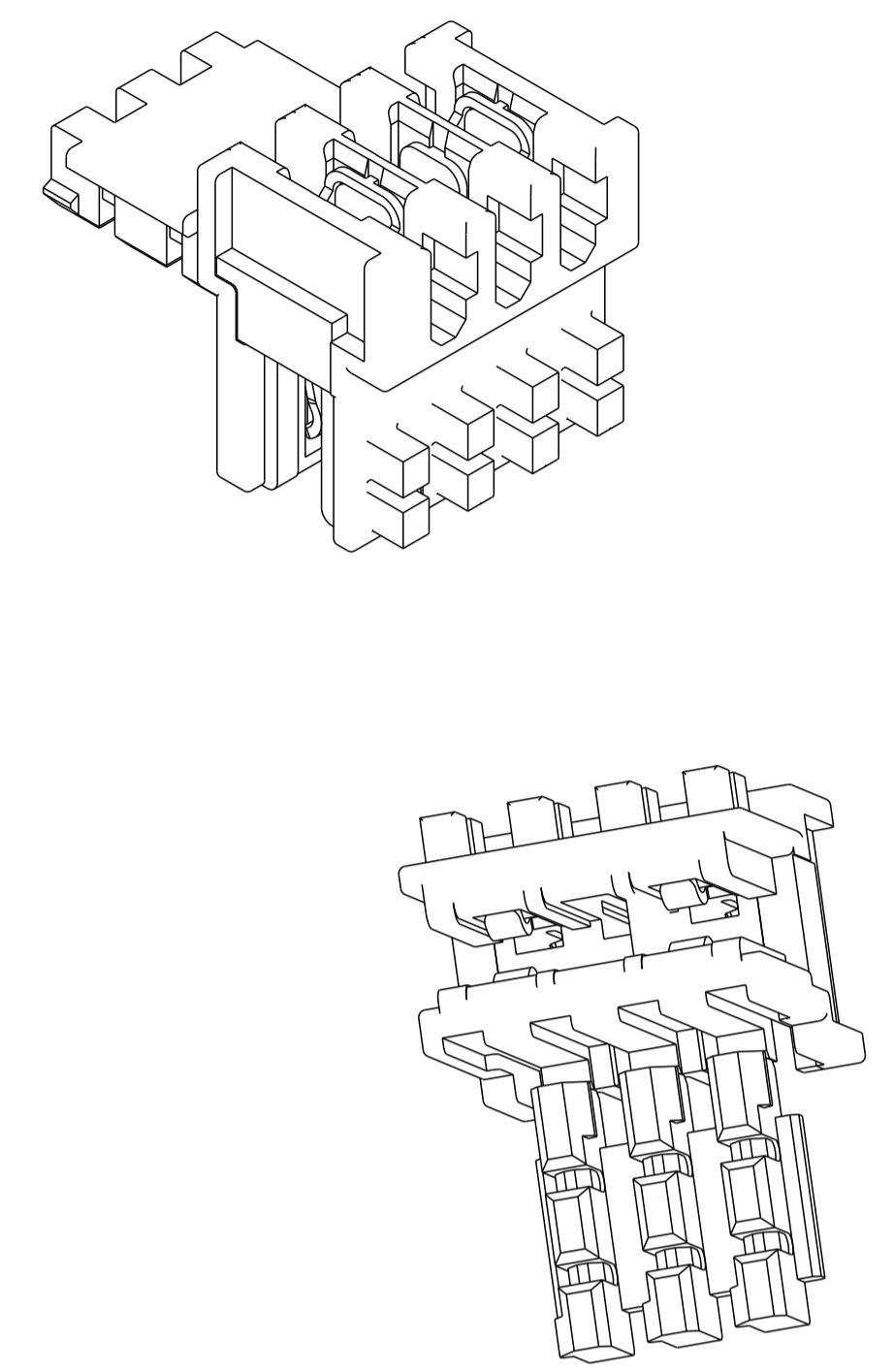
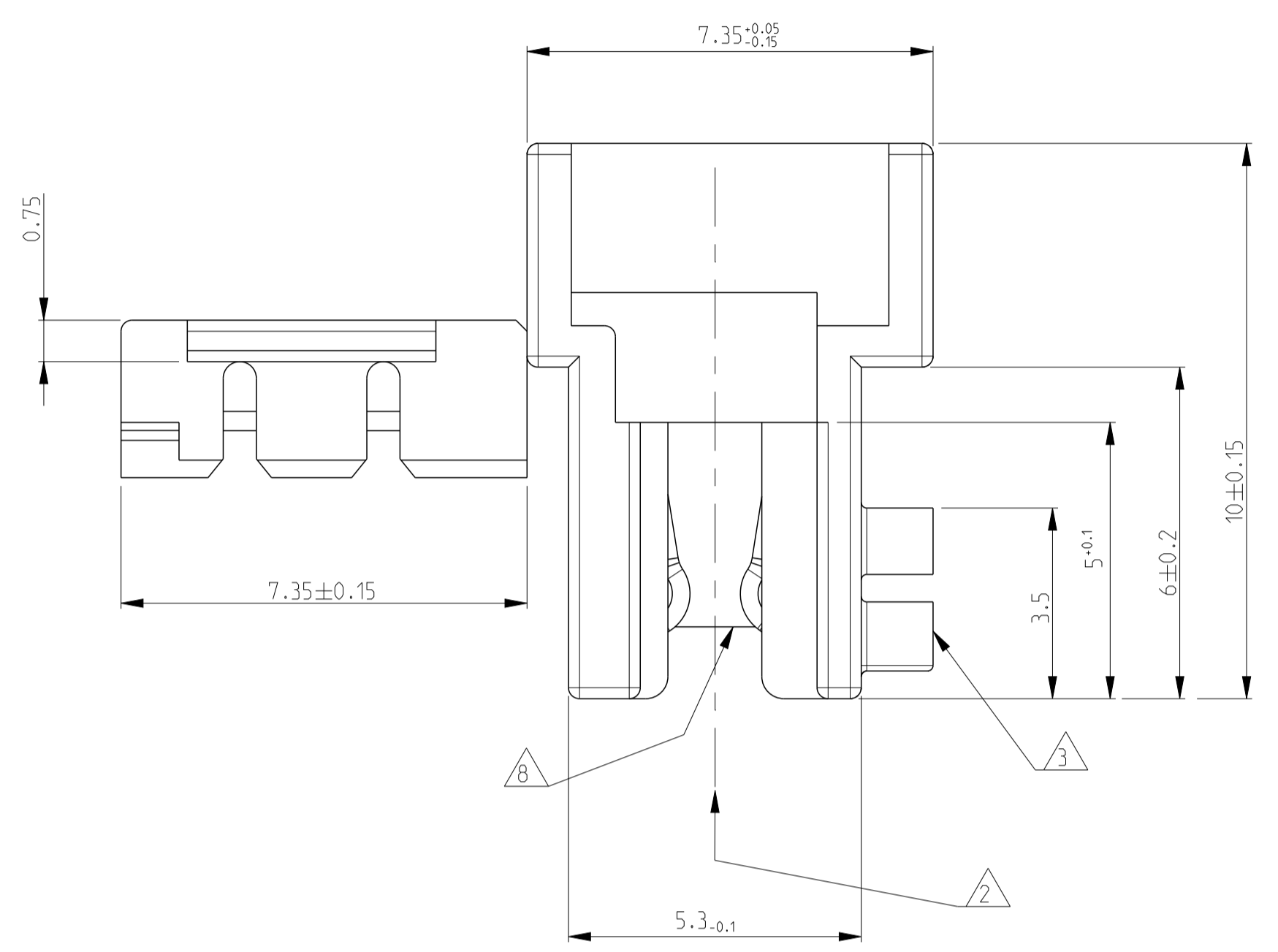
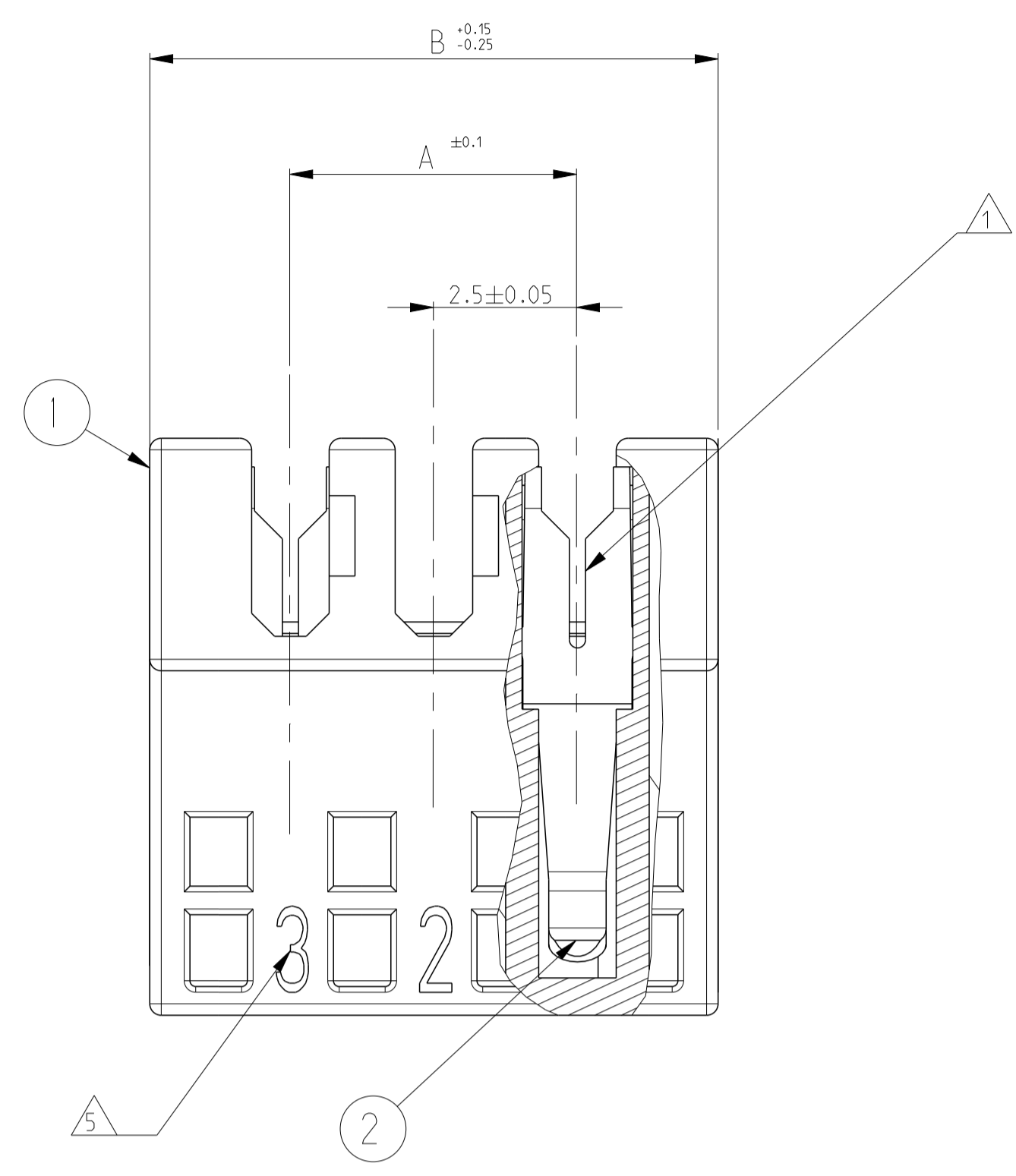
Tel: +86-755-8981 8866 Fax: +86-755-8427 6832

Email & Skype: info@chipsmall.com Web: www.chipsmall.com

Address: A1208, Overseas Decoration Building, #122 Zhenhua RD., Futian, Shenzhen, China

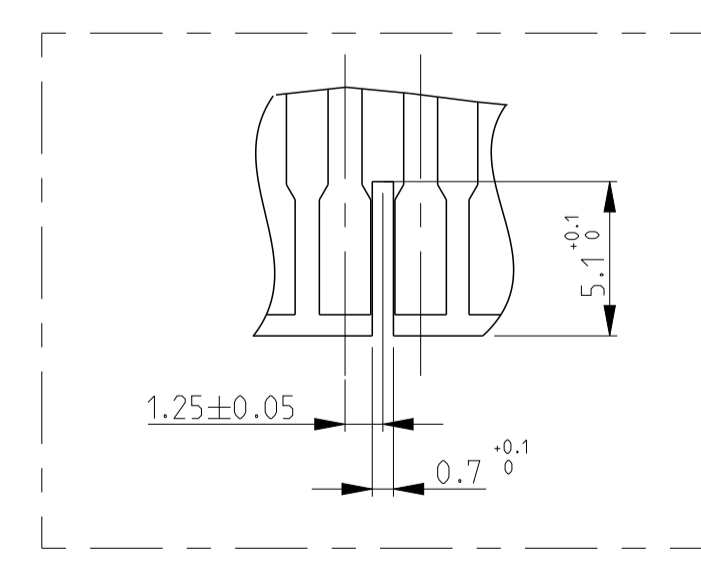


LOC	DIST	REVISIONS					
		P	LTN	DESCRIPTION	DATE	DWN	APVD
A1	-	A7		REVISED PER ECR-15-012073	18AUG2015	NK	W W
		A9		ECR-16-016-334	18NOV2016	FV	RR



- △ WIRE RANGE : STRANDED 0.22-0.35 mm (INS. DIA. 1.30±0.1)
- △ MATING PART: TAB HEADER P/N 829866;
PCB FRAME P/N 964575 (PCB THK 1.5±0.14 COPPER CLADDING INCLUDED)
SEE PRODUCT SPEC. 108-18056 FOR FRAME APPLICATION
- △ KEYING RIBS TO BE REMOVED BY TERMINATION MACHINE
- △ CUT OFF DIMENSION DUE TO PRODUCTION PROCESS
- △ CIRCUIT No. IDENTIFICATION
- △ TE TRADEMARK (OPTIONAL POSITION)
- △ TAMPOGRAPHIC COLOUR CODE AREA
(P/Ns IDENTIFICATION BEFORE CRIMPING)
- △ POLARIZATION RIB BETWEEN CAVITIES.
(SEE BELOW TYPICAL POLARIZATION CUTOFF ON PCB)
- △ PRELIMINARY PART NOT RELEASED FOR PRODUCTION.
- △ PBT GF
- △ PBT GF. GWEPT 750 NO-FLAME, NATURAL

P/N 0-293153-3 AS SHOWN
 SCALE 5:1 / 10:1



COLOUR CODE	CONTACT LOADING	POLARIZ. RIB POS.	HSG POS.	DIM.A	DIM.B	TE P/N	TE P/N
BLACK	SELECTIVELY 1.4,5,6,7	2/3	7	15.0	19.9	0-293153-7	6-2311505-7
BLACK	SELECTIVELY 1,3,4,6	1/2	6	12.5	17.4	2-293153-6	6-2311505-6
RED	SELECTIVELY 1,3,4,6	2/3	6	12.5	17.4	1-293153-6	5-2311505-6
BLUE	SELECTIVELY 1,2,4,5,6,7,8,9	2/3	9	20.0	24.9	1-293153-9	6-2311505-9
BLACK	SELECTIVELY 1,3,4,6,8,9	2/3	9	20.0	24.9	0-293153-9	5-2311505-9
△ 9 RED	SELECTIVELY 1,2,3,7,8	1/2	8	17.5	22.4	0-293153-8	2-2311505-8
BLACK	SELECTIVELY 1,2	1/2	6	12.5	17.4	0-293153-6	4-2311505-6
BLACK	SELECTIVELY 3,6	3/4	4	7.5	12.4	0-293153-4	2311505-4
BLACK	SELECTIVELY 1,3	1/2	3	5.0	9.9	0-293153-3	8-2311505-3

-				THIS DRAWING IS A CONTROLLED DOCUMENT.				DWN C.CORDALO 28NOV2005				
-				PH. BRONZE, TIN PLATED				CHK G.TURCO 28NOV2005				
-				IDC RECEPTACLE CONTACT				APVD G.TURCO 28NOV2005				
SEE TABLE	PBT GLASS FIBER FILLED			FEMALE HOUSING			NAME			DUOPLUG 2.5 FEMALE CONNECTOR STANDARD VERSION, KEYED (SELECTIVELY LOADED)		
Q.TY	MATERIAL			DESCRIPTION			ITEM			PRODUCT SPEC		
1	-			-			-			108-18056		
-				REVISIONE DELL'ASSEMBLATO (REVISION OF EACH ASSY NO)				APPLICATION SPEC				
-				ELENCO DEI COMPONENTI (PARTS LIST)				116-18049-1				
-				-				WEIGHT				
-				-				CUSTOMER DRAWING				
-				-				SCALE 10:1				
-				-				SHEET 1 OF 1				
-				-				REV A9				