



Chipsmall Limited consists of a professional team with an average of over 10 year of expertise in the distribution of electronic components. Based in Hongkong, we have already established firm and mutual-benefit business relationships with customers from,Europe,America and south Asia,supplying obsolete and hard-to-find components to meet their specific needs.

With the principle of "Quality Parts,Customers Priority,Honest Operation,and Considerate Service",our business mainly focus on the distribution of electronic components. Line cards we deal with include Microchip,ALPS,ROHM,Xilinx,Pulse,ON,Everlight and Freescale. Main products comprise IC,Modules,Potentiometer,IC Socket,Relay,Connector.Our parts cover such applications as commercial,industrial, and automotives areas.

We are looking forward to setting up business relationship with you and hope to provide you with the best service and solution. Let us make a better world for our industry!



Contact us

Tel: +86-755-8981 8866 Fax: +86-755-8427 6832

Email & Skype: info@chipsmall.com Web: www.chipsmall.com

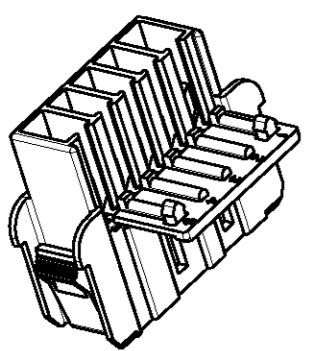
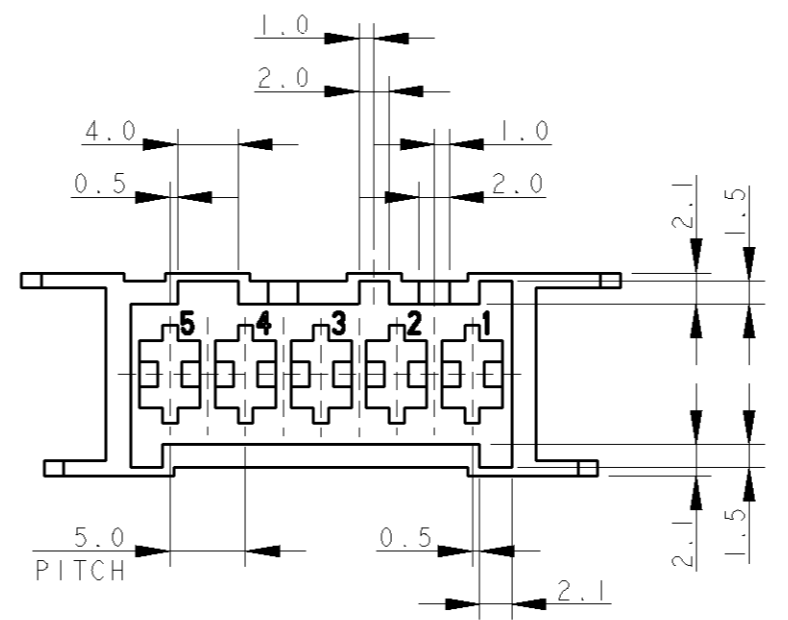
Address: A1208, Overseas Decoration Building, #122 Zhenhua RD., Futian, Shenzhen, China



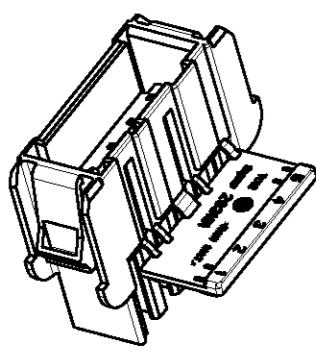
THIS DRAWING IS UNPUBLISHED. RELEASED FOR PUBLICATION 2003
 © COPYRIGHT 2003 BY TYCO ELECTRONICS CORPORATION. ALL RIGHTS RESERVED.

REVISIONS					
P	LTR	DESCRIPTION	DATE	DWN	APVD
1		CHANGED LATCHING TYPE	18 NOV 2005	HY	GT
0		P/N ASSIGNED	13 JAN 2006	HY	GT
A		RELEASED FOR ECR-06-008618	02 MAY 2006	HY	GT
B		ADDED -2 AND RELEASED, ECR-07-004530	13 APR 2007	HY	GT

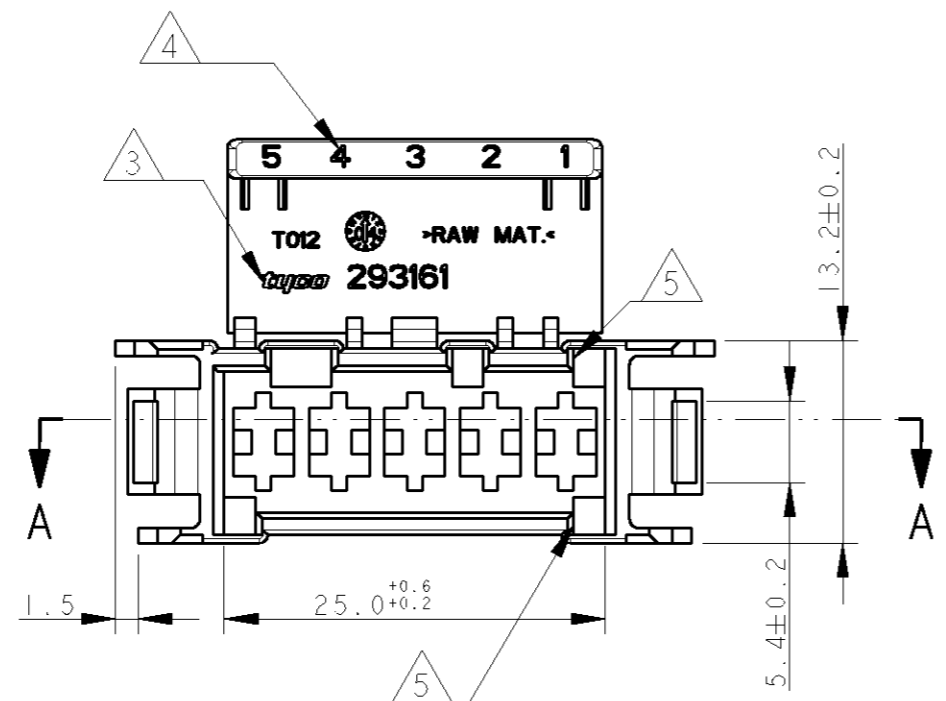
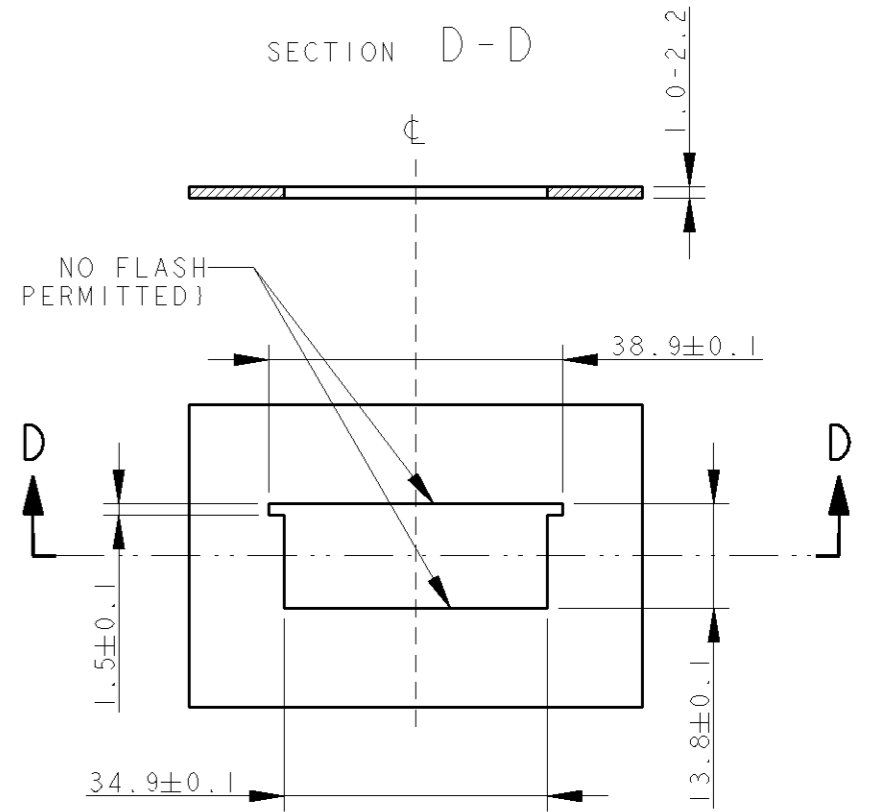
POLARIZATION KEYS SCHEME



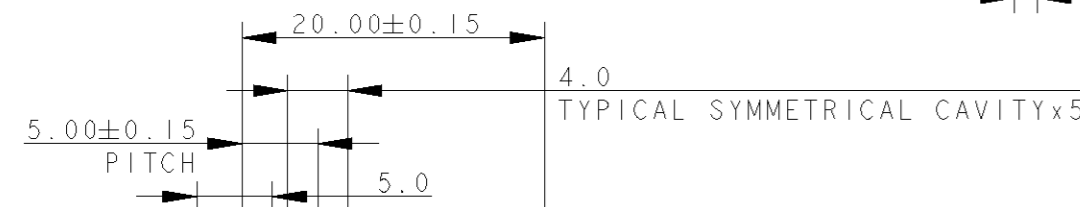
SCALE 1:1



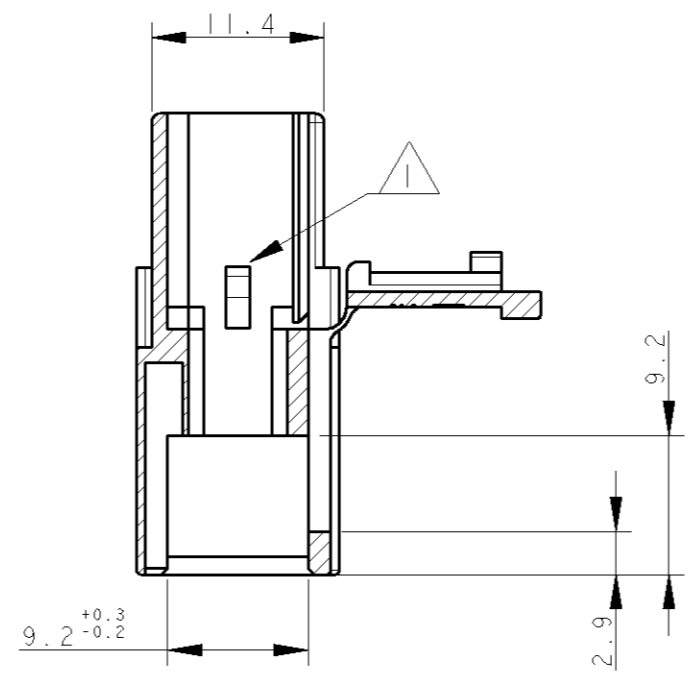
PANEL MOUNT DIMENSIONS
SCALE 1:1



SECTION A-A

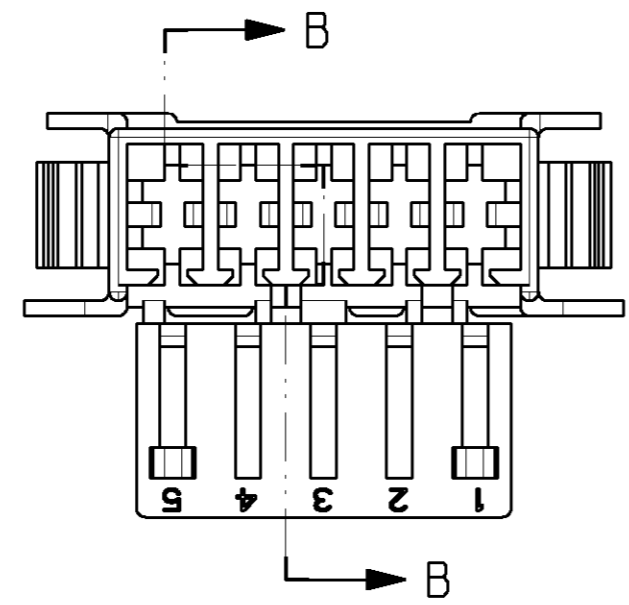


SECTION B-B



- 1 TYPICAL CAVITY SUITABLE FOR:
FASTIN-FASTON TAB CONTACTS 6.3 mm SRS;
P/N: 293041
- 2 PA UNFILLED, UL 94-V2,
- 3 TYCO TRADEMARK "LOGO" AND
TYCO ELECTRONICS "PART NUMBER"
OPTIONAL POSITION.
- 4 CIRCUIT IDENTIFICATION NUMBERS, 1 TO 5
- 5 POLARIZATION KEYS DIMENSIONS AND POSITIONS
ARE ACCORDING TO "RAST 5" NORM
- 6 PA UNFILLED UL 94 V2
ACCORDING TO IEC 60335-1 NORM.

	NATURAL	SEE NOTE 6	293161-2	B
	NATURAL	SEE NOTE 2	293161-1	B
NOTE	COLOUR	MATERIAL	TYCO P/N	REV



THIS DRAWING IS A CONTROLLED DOCUMENT FOR TYCO ELECTRONICS CORPORATION
IT IS SUBJECT TO CHANGE AND THE CONTROLLING ENGINEERING ORGANIZATION
SHOULD BE CONTACTED FOR THE LATEST REVISION.

DIMENSIONS:	TOLERANCES UNLESS OTHERWISE SPECIFIED:	DWN	02 AUG 2005		tyco Electronics AMP Italia S.p.A. C.so F. Cervi, 15 COLLEGGNO (TO)
mm	0 PLC ± 1 PLC ±0.3 2 PLC ± 3 PLC ± 4 PLC ± ANGLES ±2° FINISH	CHK	H. YAALI		
MATERIAL	SEE TABLE	APVD	G. TURCO	NAME	5 POS. FASTIN-FASTON Connector TAB HOUSING, RAST 5 1.0-2.2 MM THK. PANEL MOUNT VERSION
		PRODUCT SPEC	108-20256	SIZE	A2
		APPLICATION SPEC		CAGE CODE	00779
		WEIGHT		DRAWING NO	G-293161
		CUSTOMER DRAWING		RESTRICTED TO	

SCALE 2:1 SHEET 1 OF 1 REV B