



Chipsmall Limited consists of a professional team with an average of over 10 year of expertise in the distribution of electronic components. Based in Hongkong, we have already established firm and mutual-benefit business relationships with customers from,Europe,America and south Asia,supplying obsolete and hard-to-find components to meet their specific needs.

With the principle of "Quality Parts,Customers Priority,Honest Operation,and Considerate Service",our business mainly focus on the distribution of electronic components. Line cards we deal with include Microchip,ALPS,ROHM,Xilinx,Pulse,ON,Everlight and Freescale. Main products comprise IC,Modules,Potentiometer,IC Socket,Relay,Connector.Our parts cover such applications as commercial,industrial, and automotives areas.

We are looking forward to setting up business relationship with you and hope to provide you with the best service and solution. Let us make a better world for our industry!



Contact us

Tel: +86-755-8981 8866 Fax: +86-755-8427 6832

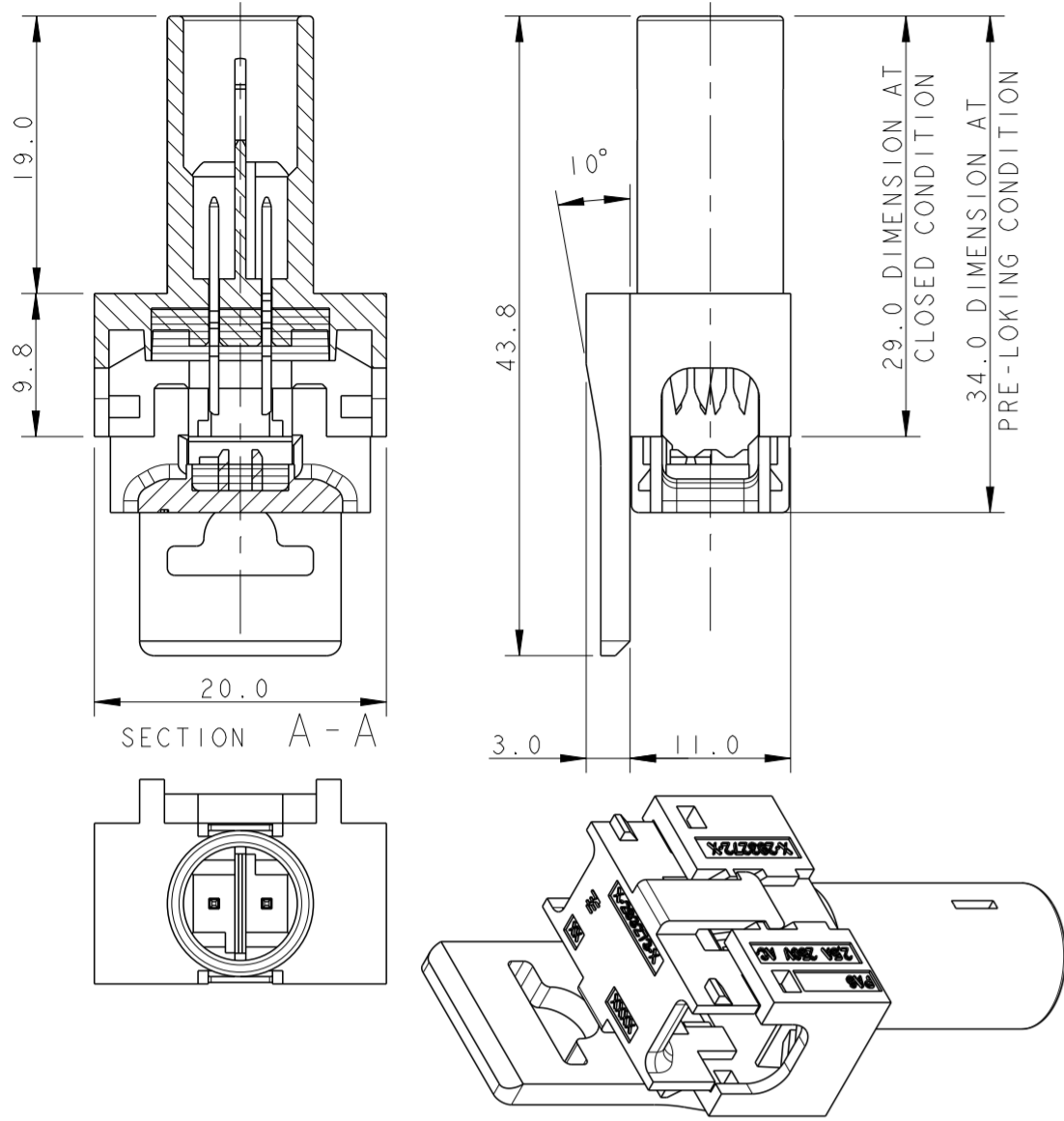
Email & Skype: info@chipsmall.com Web: www.chipsmall.com

Address: A1208, Overseas Decoration Building, #122 Zhenhua RD., Futian, Shenzhen, China

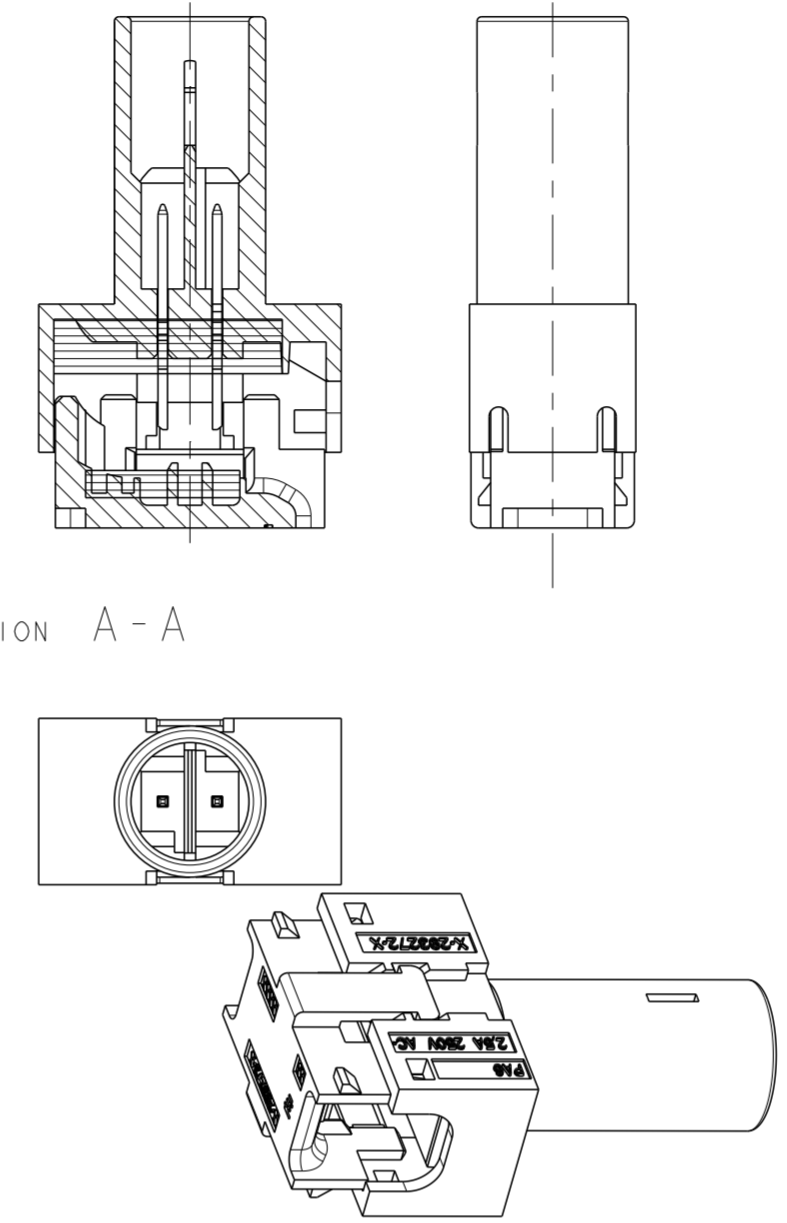
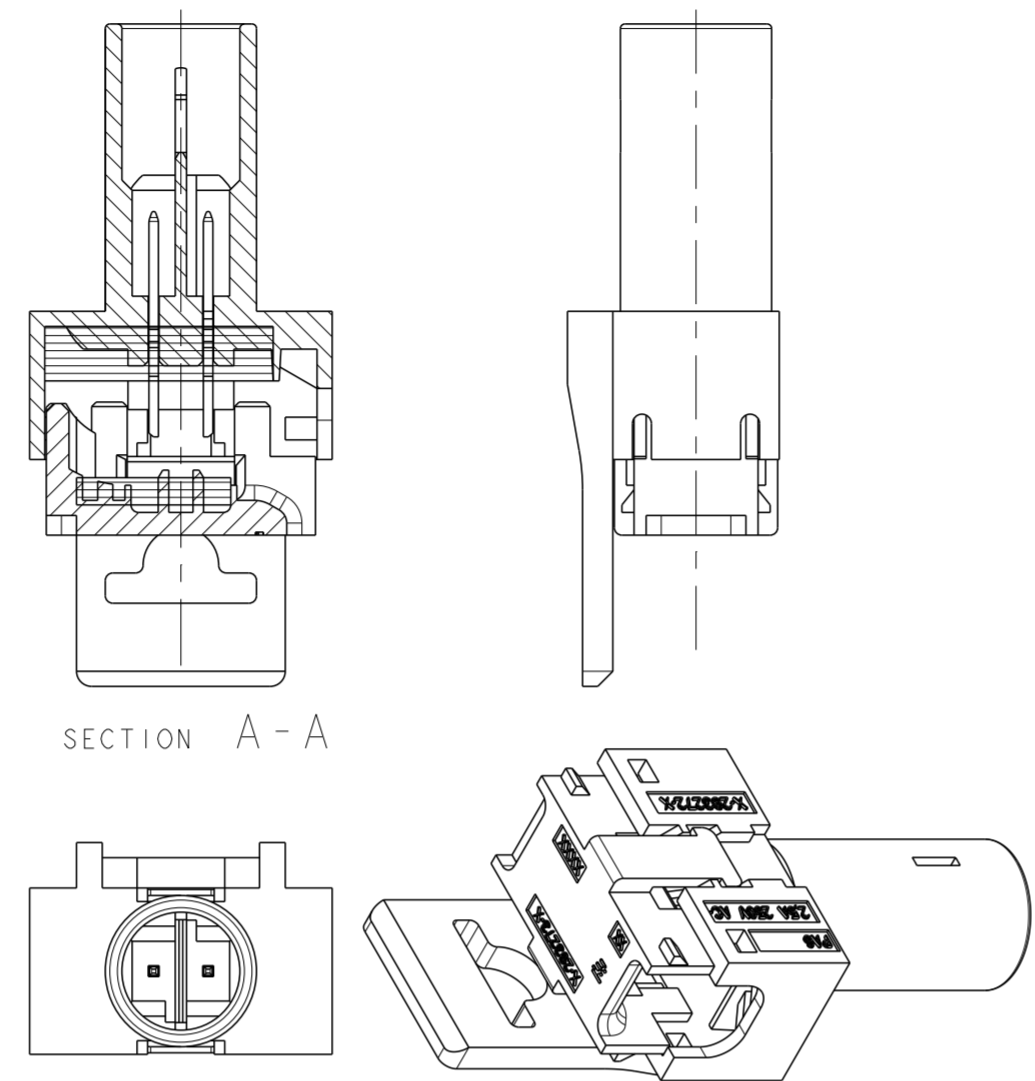


THIS DRAWING IS UNPUBLISHED. RELEASED FOR PUBLICATION 20
 © COPYRIGHT 20 BY - ALL RIGHTS RESERVED.

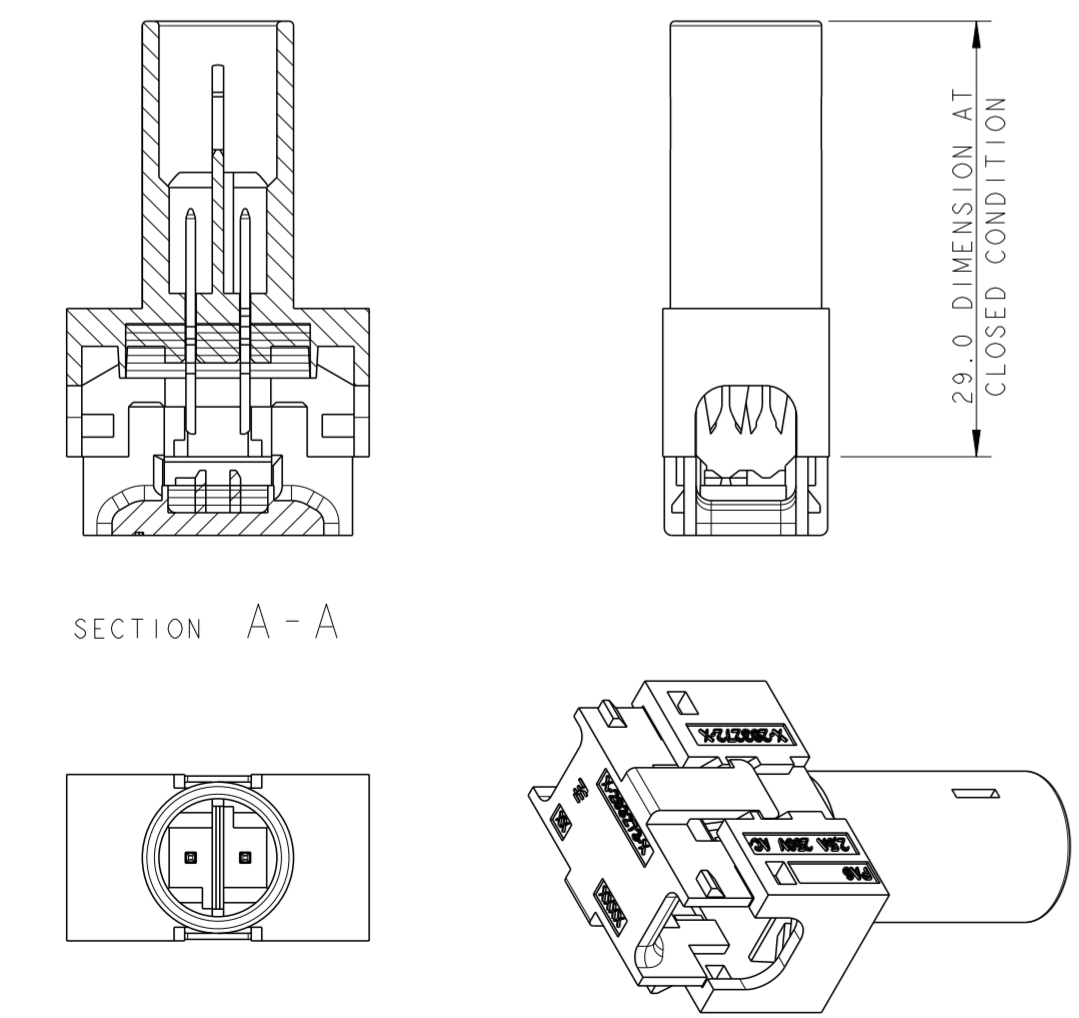
P/N 0-293270-1 AS SHOWN
 POLARIZATION KEY HV-1



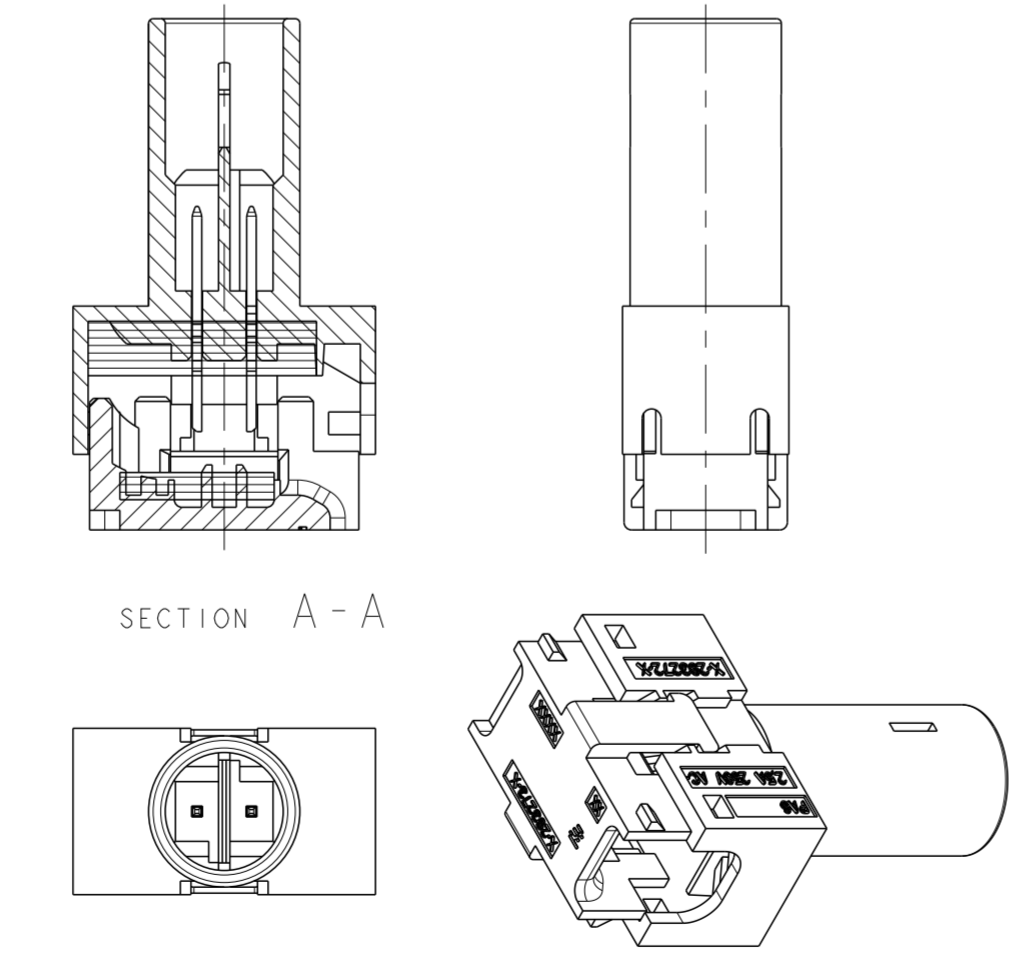
P/N 0-293270-2 AS SHOWN
 POLARIZATION KEY HV-1



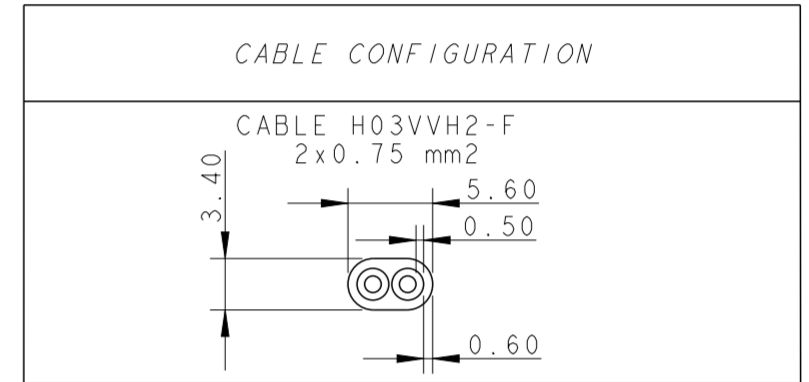
P/N 0-293270-3 AS SHOWN
 POLARIZATION KEY HV-1



P/N 0-293270-4 AS SHOWN
 POLARIZATION KEY HV-1



REVISIONS				
P	LTR	DESCRIPTION	DATE	APVD
R		IMPROVED LOCKING RETENTION TEETH	20MAY2011	AV GT
S		REMOVED CABLE H05VVH2-F	22AUG2012	MZ JC
T		REVISED PER ECR-14-006605	21MAY2014	RS DD
V		ECR-14-018570	15DEC2014	KR JC



NOTES:
 CONTACTS BRASS PRE TINNED
 HOUSINGS POLYAMMIDE UL94 V0

PART NUMBER	DESCRIPTION	POL. KEY	COLOR
293270-9	END CONNECTOR WITHOUT FLANGE	HV-1	BLACK
293270-8	END CONNECTOR WITHOUT FLANGE	LV-2	YELLOW
293270-7	CONNECTOR WITHOUT FLANGE	LV-2	YELLOW
293270-6	END CONNECTOR WITH FLANGE	LV-2	YELLOW
293270-5	CONNECTOR WITH FLANGE	LV-2	YELLOW
293270-4	END CONNECTOR WITHOUT FLANGE	HV-1	WHITE
293270-3	CONNECTOR WITHOUT FLANGE	HV-1	WHITE
293270-2	END CONNECTOR WITH FLANGE	HV-1	WHITE
293270-1	CONNECTOR WITH FLANGE	HV-1	WHITE

MISSING DIMENSION SEE P/N 0-...-1

THIS DRAWING IS A CONTROLLED DOCUMENT.

DIMENSIONS:	TOLERANCES UNLESS OTHERWISE SPECIFIED:	DWN	18JAN2007
mm	0 PLC ±	CHK	A. Vecchia
	1 PLC ±0.3	CHK	G. Turco
	2 PLC ±0.05	APVD	G. Turco
	3 PLC ±	APVD	G. Turco
	4 PLC ±	PRODUCT SPEC	108-94018
	ANGLES ±	APPLICATION SPEC	114-20131
MATERIAL	FINISH	WEIGHT	-
		Customer Drawing	

NAME: BUS BAR 2 POSITION SEALED

SIZE: A2 CAGE CODE: 0779 DRAWING NO: C-293270 RESTRICTED TO: -

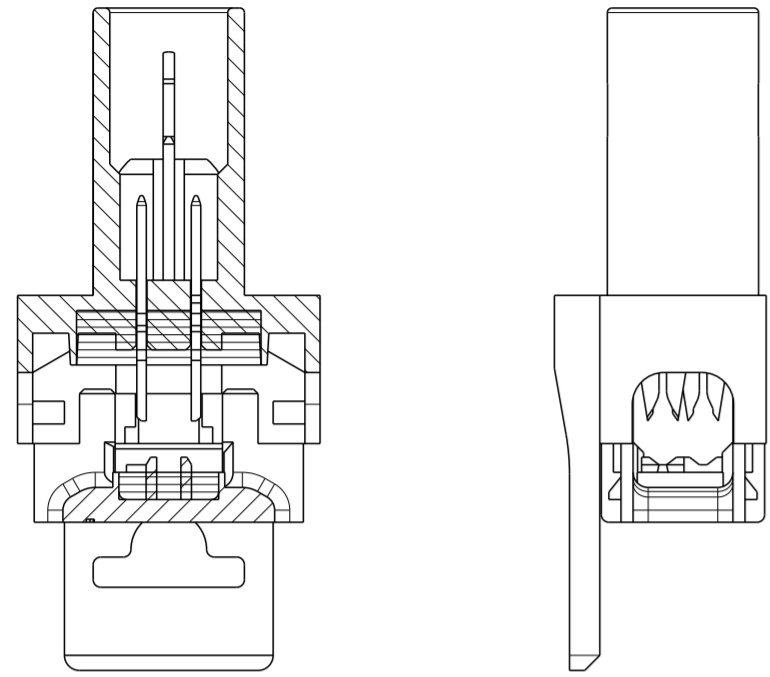
SCALE: 2:1 SHEET: 1 OF 2 REV: V

THIS DRAWING IS UNPUBLISHED. RELEASED FOR PUBLICATION 20
 © COPYRIGHT 20 BY - ALL RIGHTS RESERVED.

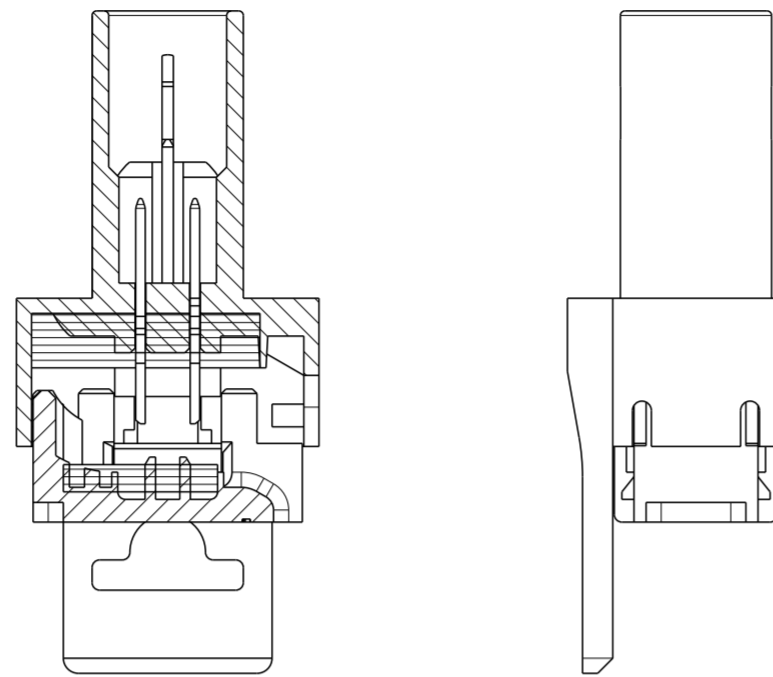
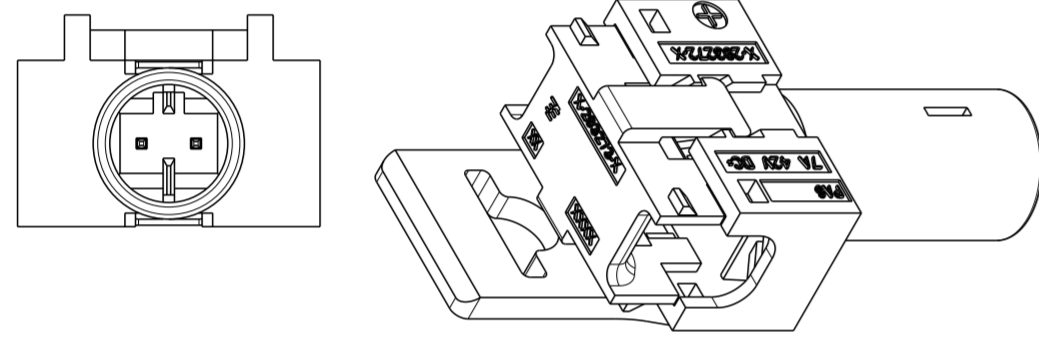
REVISIONS				
P	LTR	DESCRIPTION	DATE	APVD
-	-	SEE SHEET 1	-	-

P/N 0-293270-5 AS SHOWN
 POLARIZATION KEY LV-2

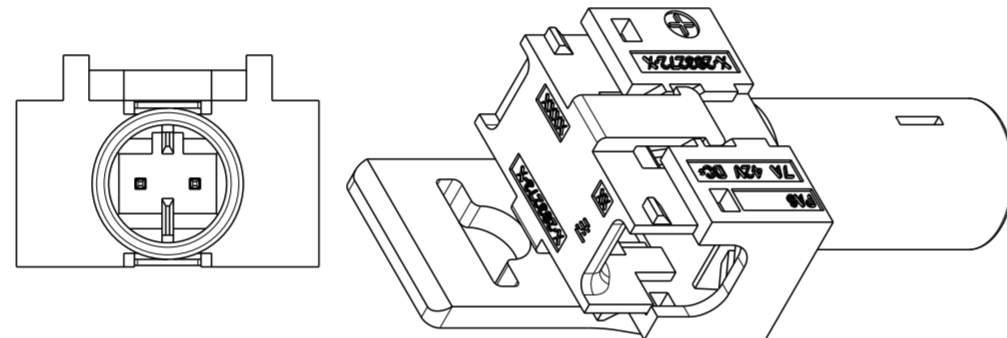
P/N 0-293270-6 AS SHOWN
 POLARIZATION KEY LV-2



SECTION A - A

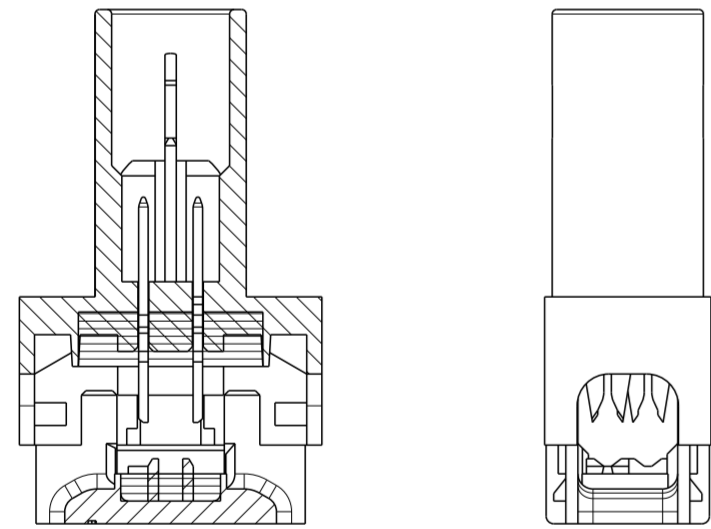


SECTION A - A

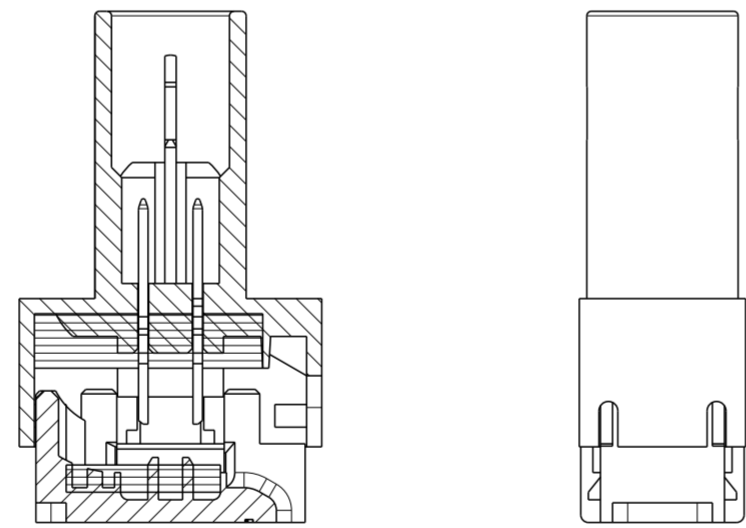
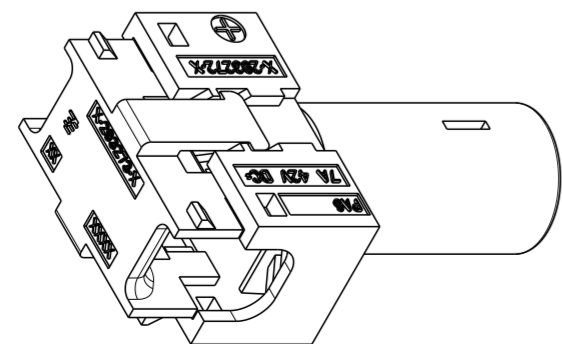
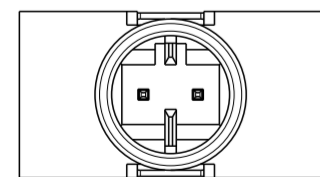


P/N 0-293270-7 AS SHOWN
 POLARIZATION KEY LV-2

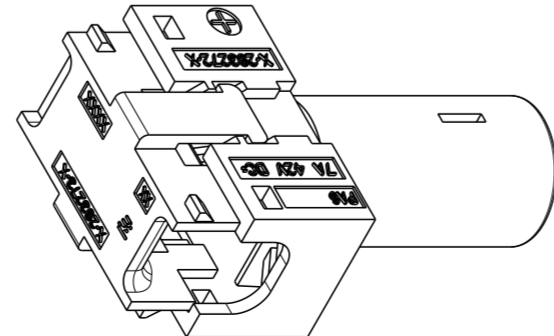
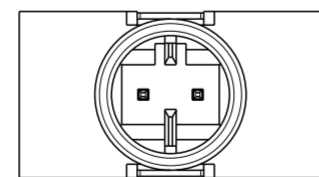
P/N 0-293270-8 AS SHOWN
 POLARIZATION KEY LV-2




SECTION A - A



SECTION A - A



THIS DRAWING IS A CONTROLLED DOCUMENT.		DWN 18JAN2007 A. Vecchia	 TE Connectivity	NAME	
DIMENSIONS: mm		CHK 18JAN2007 G. Turco		BUS BAR 2 POSITION SEALED	
TOLERANCES UNLESS OTHERWISE SPECIFIED:		APVD 24MAY2007 G. Turco	PRODUCT SPEC	SIZE	CAGE CODE
0 PLC ±		114-20131	108-94018	DRAWING NO	RESTRICTED TO
1 PLC ±0.3		WEIGHT	-	A20779	-
2 PLC ±0.05		Customer Drawing	SCALE 5:1	C-293270	SHEET 2 OF 2
3 PLC ±					REV V
4 PLC ±					
ANGLES ±					
FINISH					