



Chipsmall Limited consists of a professional team with an average of over 10 year of expertise in the distribution of electronic components. Based in Hongkong, we have already established firm and mutual-benefit business relationships with customers from,Europe,America and south Asia,supplying obsolete and hard-to-find components to meet their specific needs.

With the principle of “Quality Parts,Customers Priority,Honest Operation,and Considerate Service”,our business mainly focus on the distribution of electronic components. Line cards we deal with include Microchip,ALPS,ROHM,Xilinx,Pulse,ON,Everlight and Freescale. Main products comprise IC,Modules,Potentiometer,IC Socket,Relay,Connector.Our parts cover such applications as commercial,industrial, and automotives areas.

We are looking forward to setting up business relationship with you and hope to provide you with the best service and solution. Let us make a better world for our industry!



Contact us

Tel: +86-755-8981 8866 Fax: +86-755-8427 6832

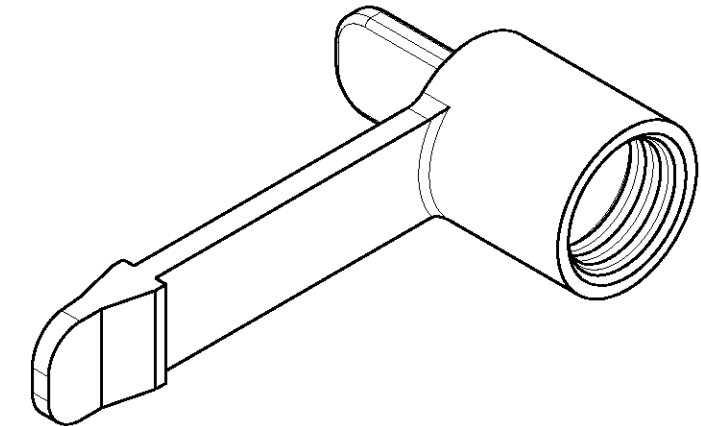
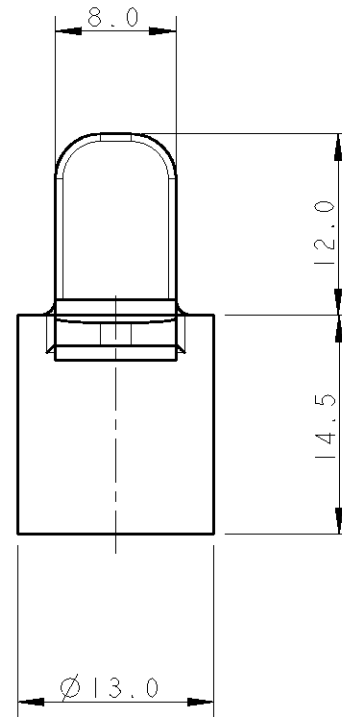
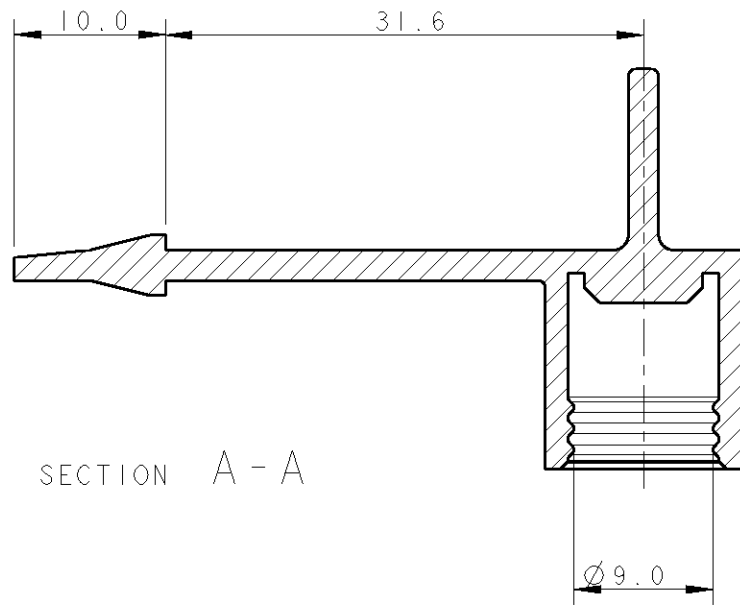
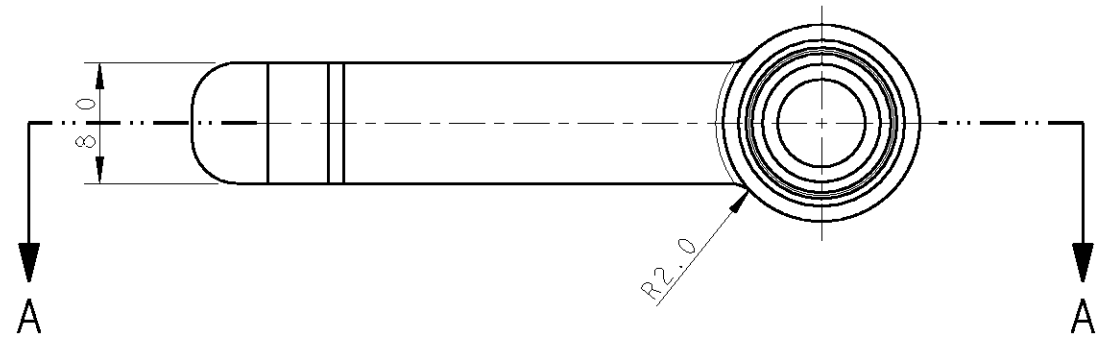
Email & Skype: info@chipsmall.com Web: www.chipsmall.com

Address: A1208, Overseas Decoration Building, #122 Zhenhua RD., Futian, Shenzhen, China



THIS DRAWING IS UNPUBLISHED. RELEASED FOR PUBLICATION 2008
 © COPYRIGHT 2008 BY TYCO ELECTRONICS CORPORATION. ALL RIGHTS RESERVED.

LOC	DIST	REVISIONS					
		P	LTR	DESCRIPTION	DATE	DWN	APVD
			A	FIRST ISSUE	20MAR2008	AV	GT
			E5	ALLIGNED TO THE EC TEC DOCUMENTATION	08/04/2008	AV	GT



P/N 0-293275-1 AS SHOWN

NOTES:
 1 MATERIAL: THERMOPLASTIC RUBBER
 45 Sh A COLOR BLACK

E5	0-293275-1	BLIND BOOT
REV	PART NO	DESCRIPTION

<small>THIS DRAWING IS A CONTROLLED DOCUMENT FOR TYCO ELECTRONICS CORPORATION IT IS SUBJECT TO CHANGE AND THE CONTROLLING ENGINEERING ORGANIZATION SHOULD BE CONTACTED FOR THE LATEST REVISION.</small>		DWN 20MAR2008 A. Vecchia CHK 20MAR2008 G. Turco APVD 20MAR2008 G. Turco		Tyco Electronics Collegno (TO), C.so Fratelli Cervi, 15	
DIMENSIONS: mm		TOLERANCES UNLESS OTHERWISE SPECIFIED: 0 PLC ± 1 PLC ±0.3 2 PLC ±0.2 3 PLC ± 4 PLC ± ANGLES ±		NAME BLIND RUBBER BOOT	
MATERIAL 		FINISH		PRODUCT SPEC - APPLICATION SPEC - WEIGHT 1.5g	
CUSTOMER DRAWING				SIZE A3 CAGE CODE 00779 DRAWING NO C=293275 RESTRICTED TO	
SCALE 2:1				SHEET 1 OF 1 REV E5	