



Chipsmall Limited consists of a professional team with an average of over 10 year of expertise in the distribution of electronic components. Based in Hongkong, we have already established firm and mutual-benefit business relationships with customers from,Europe,America and south Asia,supplying obsolete and hard-to-find components to meet their specific needs.

With the principle of "Quality Parts,Customers Priority,Honest Operation,and Considerate Service",our business mainly focus on the distribution of electronic components. Line cards we deal with include Microchip,ALPS,ROHM,Xilinx,Pulse,ON,Everlight and Freescale. Main products comprise IC,Modules,Potentiometer,IC Socket,Relay,Connector.Our parts cover such applications as commercial,industrial, and automotives areas.

We are looking forward to setting up business relationship with you and hope to provide you with the best service and solution. Let us make a better world for our industry!



Contact us

Tel: +86-755-8981 8866 Fax: +86-755-8427 6832

Email & Skype: info@chipsmall.com Web: www.chipsmall.com

Address: A1208, Overseas Decoration Building, #122 Zhenhua RD., Futian, Shenzhen, China



THIS DRAWING IS UNPUBLISHED.

RELEASED FOR PUBLICATION

20

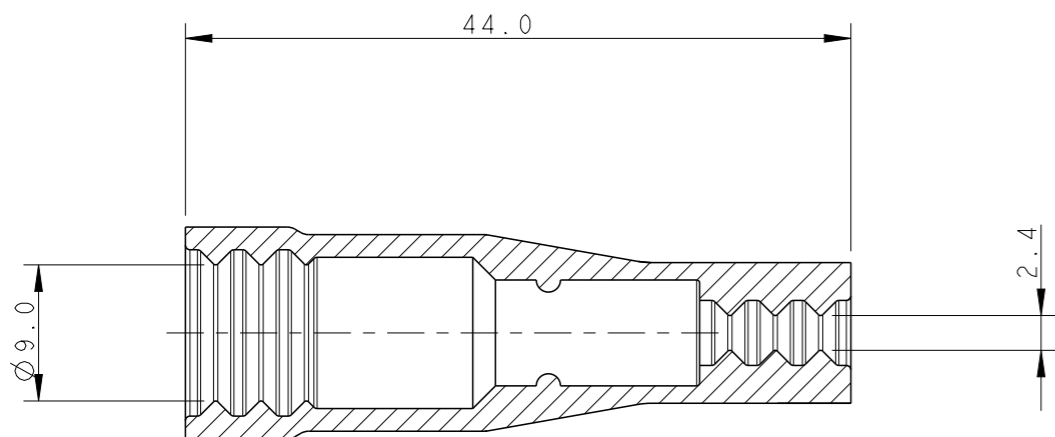
© COPYRIGHT 20

BY -

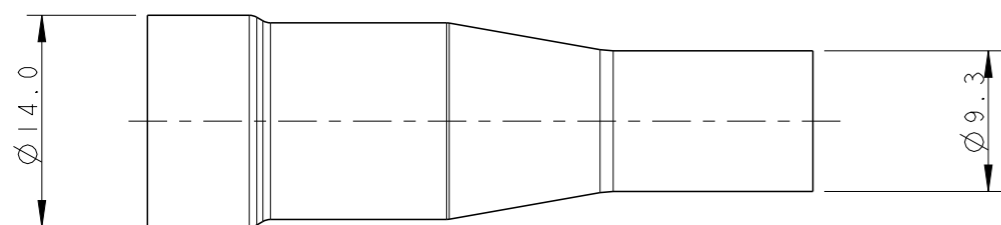
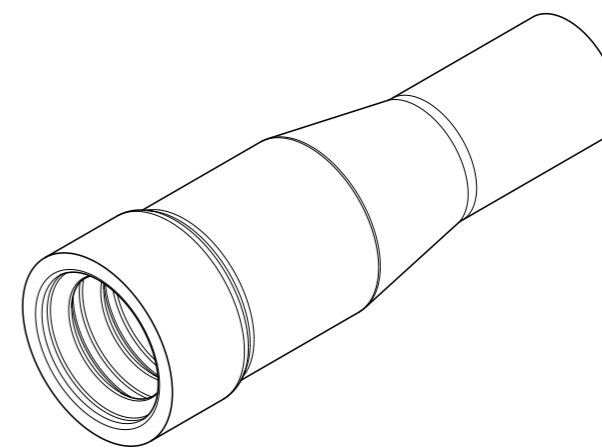
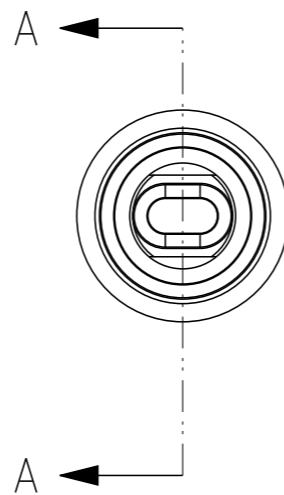
ALL RIGHTS RESERVED.

LOC	DIST
-	-

REVISIONS					
P	LTR	DESCRIPTION	DATE	DWN	APVD
E1		ALIGNED TO EC TEC DOCUMENTATION	23NOV2007	AV	GT
F		CHANGED OUTER SHAPE ECO-08-021777	02NOV2008	AV	GT
F1		REVISED CABLE TYPOLOGY NOTES	06APR2011	AV	GT
F2		REVISED PER ECR-13-008129	19JUN2013	RS	DD




SECTION A - A



1. THIS BOOT IS SUITABLE FOR 7.5 mm CONNECTORS
 CRIMPED ON THE FOLLOWING CABLES:
 H03VVH2-F 2X0.75 sq.mm OUTER DIMENSIONS 5.6X3.4mm

2. MATERIAL: LIQUID SILICONE RUBBER

THIS DRAWING IS A CONTROLLED DOCUMENT.		DWN A. Vecchia 19MAR2007	 TE Connectivity														
DIMENSIONS: mm		CHK G. Turco 19MAR2007				NAME OUTSIDE BOOT											
TOLERANCES UNLESS OTHERWISE SPECIFIED:		APVD G. Turco 19MAR2007	PRODUCT SPEC														
<table border="0"> <tr><td>0 PLC</td><td>±</td></tr> <tr><td>1 PLC</td><td>±0.2</td></tr> <tr><td>2 PLC</td><td>±</td></tr> <tr><td>3 PLC</td><td>±</td></tr> <tr><td>4 PLC</td><td>±</td></tr> <tr><td>ANGLES</td><td>±</td></tr> </table>		0 PLC	±	1 PLC	±0.2	2 PLC	±	3 PLC	±	4 PLC	±	ANGLES	±	APPLICATION SPEC		SIZE	RESTRICTED TO
0 PLC	±																
1 PLC	±0.2																
2 PLC	±																
3 PLC	±																
4 PLC	±																
ANGLES	±																
MATERIAL		FINISH	WEIGHT	A300779	C-293284												
CUSTOMER DRAWING			SCALE	SHEET	REV												
			2:1	1 OF 1	F2												