



Chipsmall Limited consists of a professional team with an average of over 10 year of expertise in the distribution of electronic components. Based in Hongkong, we have already established firm and mutual-benefit business relationships with customers from,Europe,America and south Asia,supplying obsolete and hard-to-find components to meet their specific needs.

With the principle of “Quality Parts,Customers Priority,Honest Operation,and Considerate Service”,our business mainly focus on the distribution of electronic components. Line cards we deal with include Microchip,ALPS,ROHM,Xilinx,Pulse,ON,Everlight and Freescale. Main products comprise IC,Modules,Potentiometer,IC Socket,Relay,Connector.Our parts cover such applications as commercial,industrial, and automotives areas.

We are looking forward to setting up business relationship with you and hope to provide you with the best service and solution. Let us make a better world for our industry!



## Contact us

Tel: +86-755-8981 8866 Fax: +86-755-8427 6832

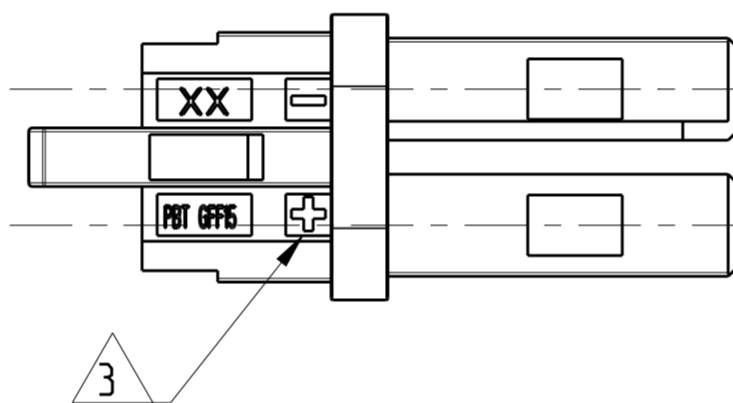
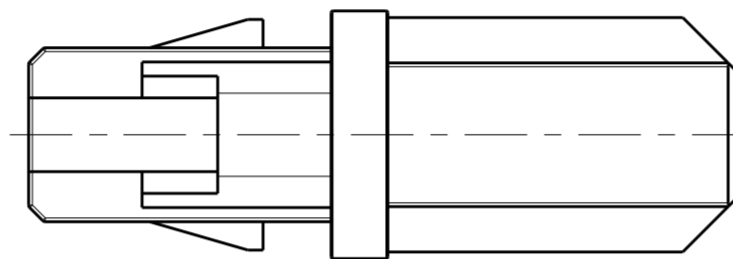
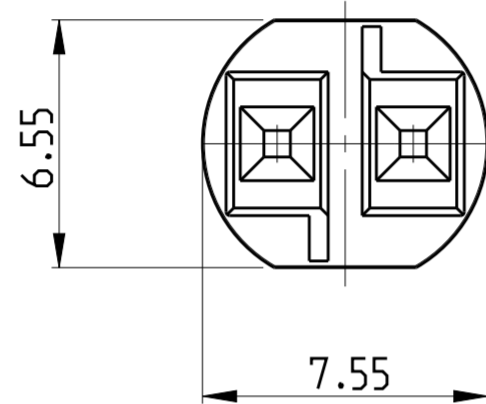
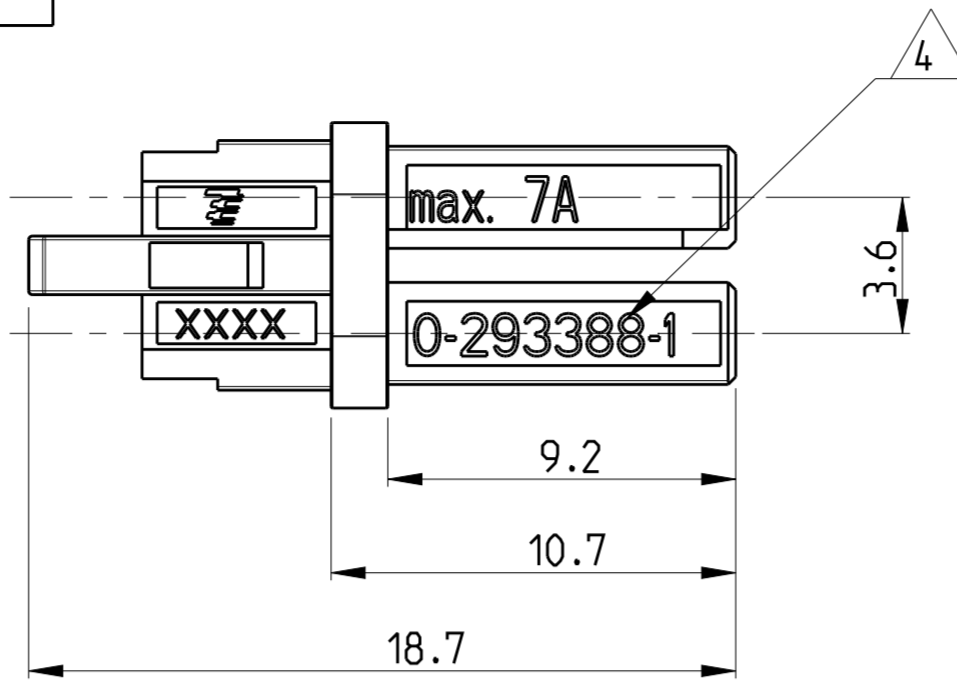
Email & Skype: info@chipsmall.com Web: www.chipsmall.com

Address: A1208, Overseas Decoration Building, #122 Zhenhua RD., Futian, Shenzhen, China



THIS DRAWING IS UNPUBLISHED. RELEASED FOR PUBLICATION 2005  
 © COPYRIGHT 2005 BY - ALL RIGHTS RESERVED.

REVISIONS					
P	LTR	DESCRIPTION	DATE	DWN	APVD
A2		ADDED NEW P/N	30NOV2009	AV	GT
B		RELEASED FOR PRODUCTION	13MAY2011	AV	GT
F		REVISED PER ECR-16-005692	02JUN2016	RS	JL
G		REVISED PER ECR-16-017348	24FEB2017	RK	JL

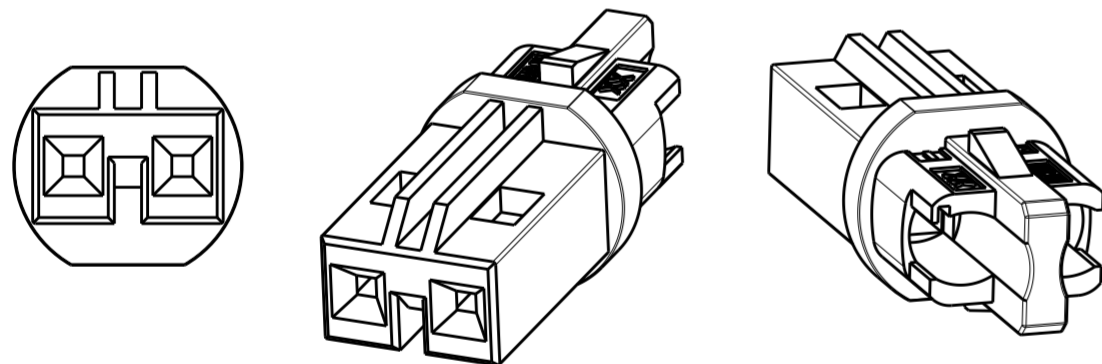


Remarks:

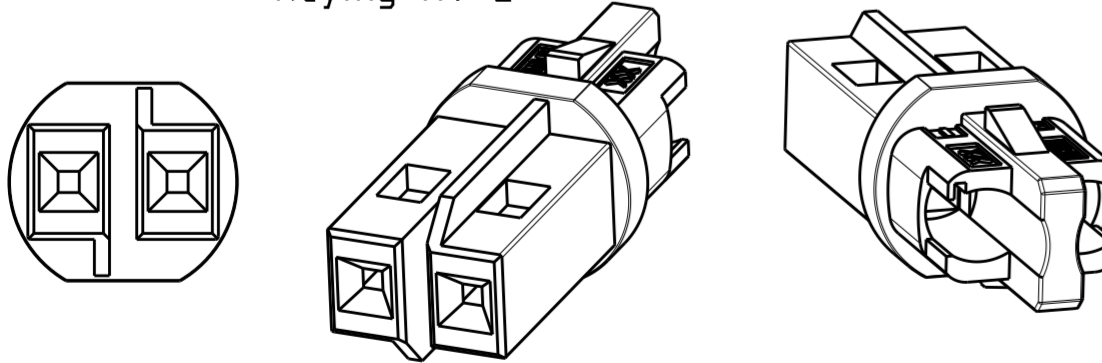
- 1. cavities designed for MQS socket contact PN 1740336-x
- 2. Counterpart is Outlet PN 293387-x
- 3. Polarity marking +/- permanent / usable for DC version
- 4. PN specific marking
- 5. P/N 293388-1 POLARIZATION HV-2 HAS TO BE USED FOR SWITCH APPLICATION ONLY
- 6. PBT, 15%GF, UL94 V0 WHITE COLUR

P/N 293388-1 AS SHOWN

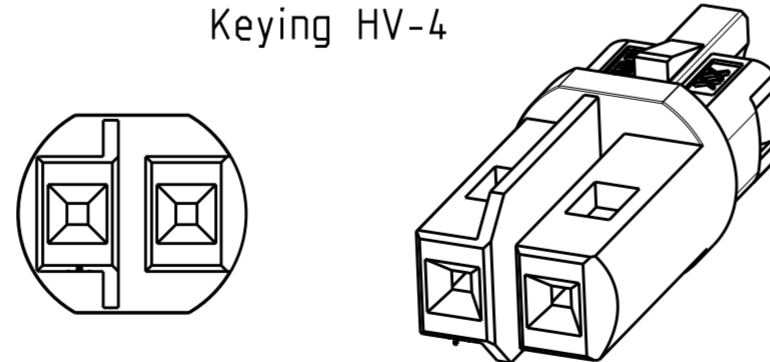
Keying LV-2



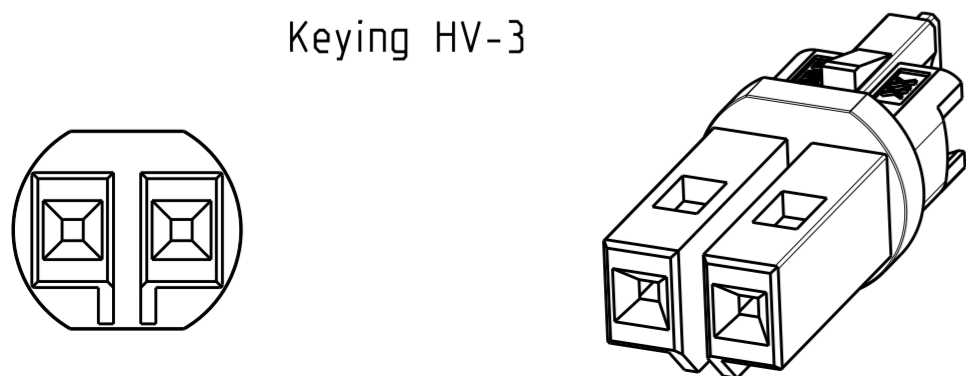
Keying HV-2



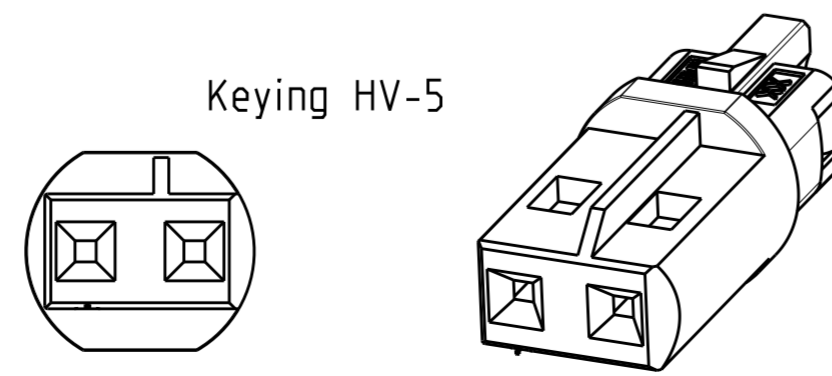
Keying HV-4



Keying HV-3



Keying HV-5



	LV-2	WHITE	6	LOW-VOLTAGE 125VAC/VDC	7A 125VAC/VDC =	293388-5
	HV-5	WHITE	6	HIGH-VOLTAGE 125V AC	6A/125V AC~	293388-4
	HV-4	WHITE	6	HIGH-VOLTAGE 125V AC	6A/125V AC~	293388-3
	HV-3	WHITE	6	HIGH-VOLTAGE 125V AC	6A/125V AC~	293388-2
5	HV-2	WHITE	6	HIGH-VOLTAGE 125V AC	6A/125V AC~	293388-1
Note	Keying	COLOR/MATERIAL	REMARKS	Marking 4		PN

THIS DRAWING IS A CONTROLLED DOCUMENT.

DIMENSIONS: mm	TOLERANCES UNLESS OTHERWISE SPECIFIED: 0 PLC ± 1 PLC ±0.2 2 PLC ± 3 PLC ± 4 PLC ± ANGLES ±° FINISH	DWN A. Vecchia 11FEB2009 CHK G. Turco 11FEB2009 APVD G. Turco 11FEB2009 PRODUCT SPEC APPLICATION SPEC	STE TE Connectivity
MATERIAL		WEIGHT 0.4 g	NAME NECTOR S CONNECTOR SYSTEM PLUG
		CUSTOMER DRAWING	SIZE A2 CAGE CODE 00779 DRAWING NO G-293388 RESTRICTED TO -
		SCALE 4:1	SHEET 1 OF 1 REV G