



Chipsmall Limited consists of a professional team with an average of over 10 year of expertise in the distribution of electronic components. Based in Hongkong, we have already established firm and mutual-benefit business relationships with customers from,Europe,America and south Asia,supplying obsolete and hard-to-find components to meet their specific needs.

With the principle of “Quality Parts,Customers Priority,Honest Operation,and Considerate Service”,our business mainly focus on the distribution of electronic components. Line cards we deal with include Microchip,ALPS,ROHM,Xilinx,Pulse,ON,Everlight and Freescale. Main products comprise IC,Modules,Potentiometer,IC Socket,Relay,Connector.Our parts cover such applications as commercial,industrial, and automotives areas.

We are looking forward to setting up business relationship with you and hope to provide you with the best service and solution. Let us make a better world for our industry!



Contact us

Tel: +86-755-8981 8866 Fax: +86-755-8427 6832

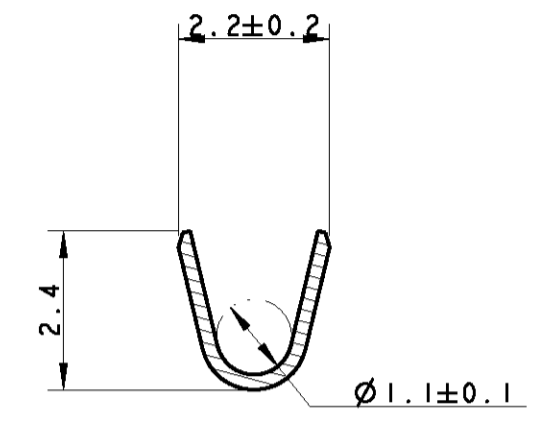
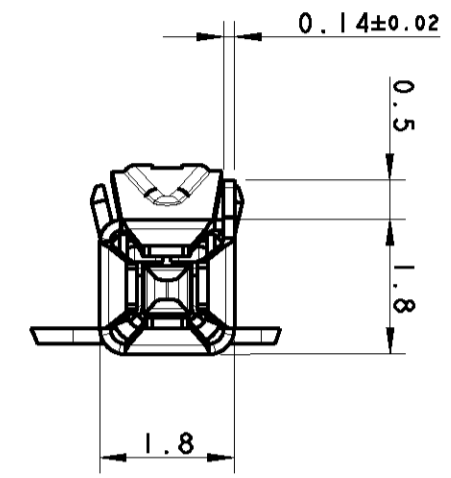
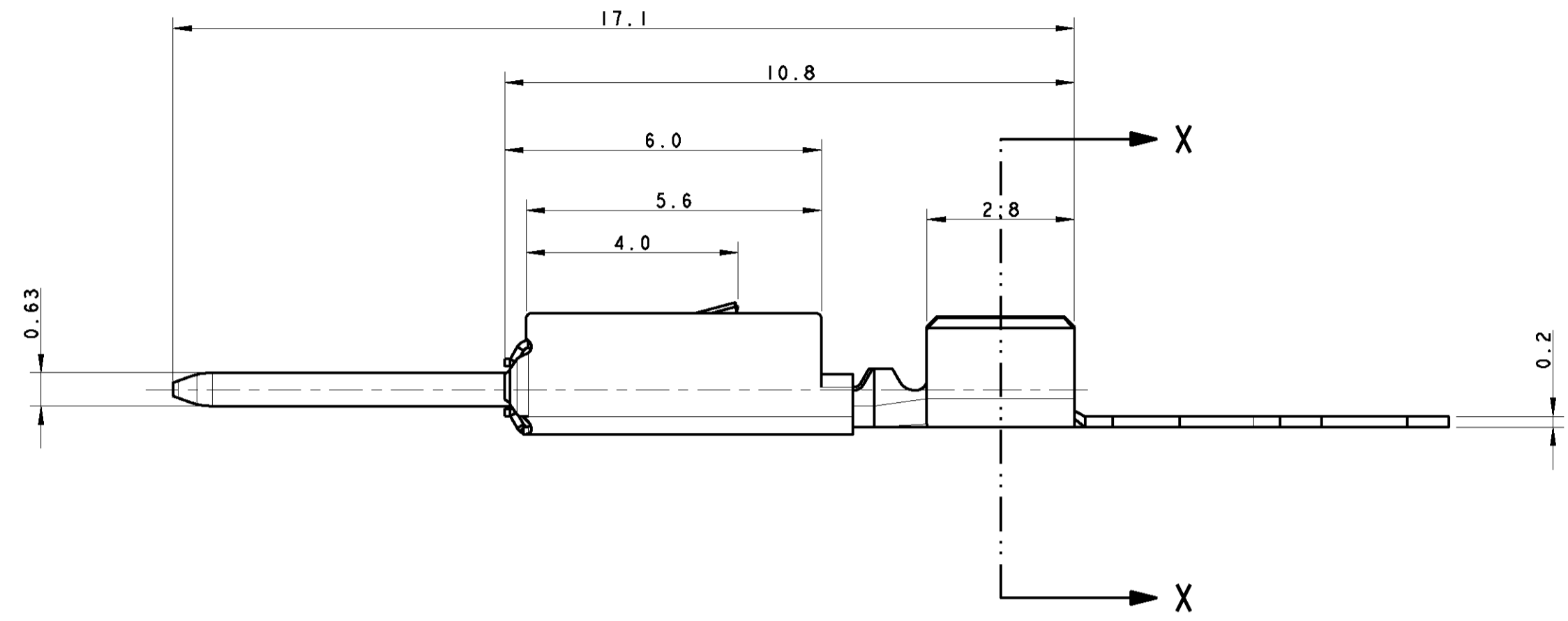
Email & Skype: info@chipsmall.com Web: www.chipsmall.com

Address: A1208, Overseas Decoration Building, #122 Zhenhua RD., Futian, Shenzhen, China

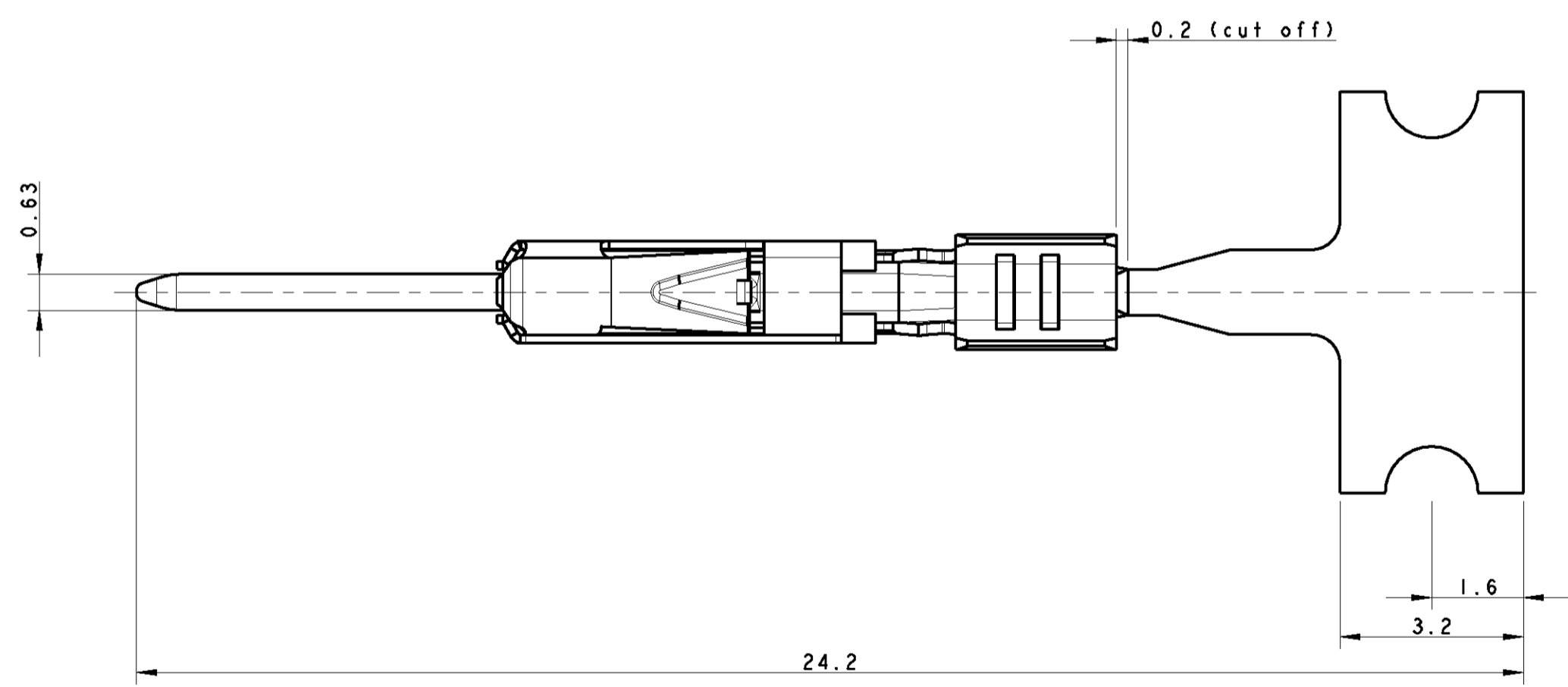


THIS DRAWING IS UNPUBLISHED. RELEASED FOR PUBLICATION 2009
 © COPYRIGHT 2009 BY TYCO ELECTRONICS CORPORATION. ALL INTERNATIONAL RIGHTS RESERVED.

LOC		DIST		REVISIONS			
P	LTR	DESCRIPTION	DATE	DWN	APVD		
A		FIRST ISSUE	12FEB2009	AV	GT		

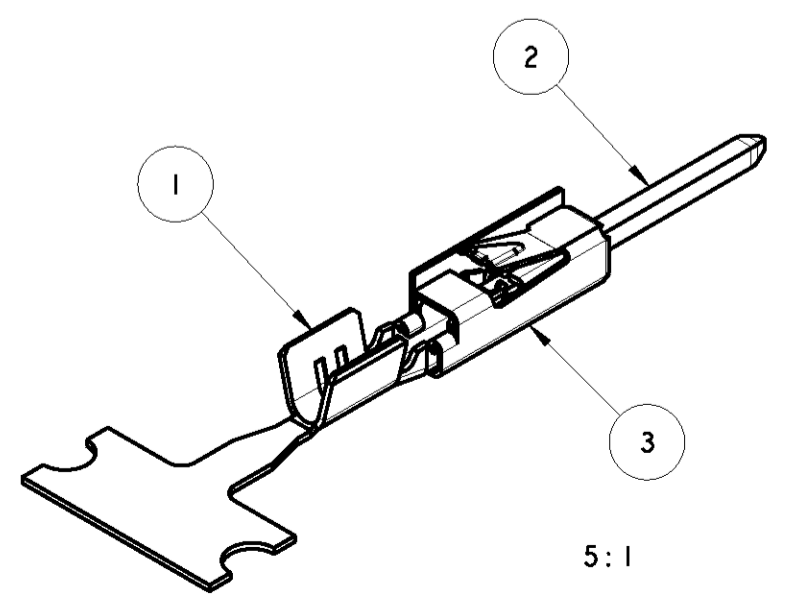


SECTION X-X



- NOTES:
- SUITABLE FOR SOCKET CONTACT 293390
 - CONTACT ACCEPTS WIRE SIZE 18 AWG
 - SEMI-AUTOMATIC TOOL AND HAND TOOL (EACH FOR 2 CRIMPS IN ONE CYCLE) TO BE DEVELOPED
 - STRIPPED CABLE LENGTH FOR CRIMP IS 3.5mm
 - WEIGHT ABOUT 0.12g
 - DIE FEED 7.0mm
 - REELED ON PAPER-REEL

PRELIMINARY PART- NOT RELEASED FOR PRODUCTION



8	NOT AVAILABLE	293389-1	A	WITH SPRING	3	SPRING	M	steel	
	DIRECTION OFF TOP OF REEL	LOOSE PIECE	PART NO	REV	DESCRIPTION	2	PIN	A	CuNi3Si, (PRE TIN)
						1	BODY	A	CuNiSi AMP SPEC.100-1230 OR 100-1086 TIN PLATED
								MATERIAL	

DIRECTIONS: mm		TOLERANCES UNLESS OTHERWISE SPECIFIED:		DWN 12FEB2009	Tyco Electronics		Tyco Electronics AMP Italia S.r.l.
0 PLC	±	0.2		CHK 12FEB2009	NAME		10093 Collegno TO
1 PLC	±	0.15		APVD 12FEB2009	PRODUCT SPEC		
2 PLC	±				APPLICATION SPEC		
3 PLC	±				WEIGHT		0.12g
4 PLC	±				SIZE		A200779
ANGLES	±°				CAGE CODE		G-293389
FINISH					DRAWING NO		
MATERIAL		SEE TABLE		CUSTOMER DRAWING		RESTRICTED TO	