



Chipsmall Limited consists of a professional team with an average of over 10 year of expertise in the distribution of electronic components. Based in Hongkong, we have already established firm and mutual-benefit business relationships with customers from,Europe,America and south Asia,supplying obsolete and hard-to-find components to meet their specific needs.

With the principle of "Quality Parts,Customers Priority,Honest Operation,and Considerate Service",our business mainly focus on the distribution of electronic components. Line cards we deal with include Microchip,ALPS,ROHM,Xilinx,Pulse,ON,Everlight and Freescale. Main products comprise IC,Modules,Potentiometer,IC Socket,Relay,Connector.Our parts cover such applications as commercial,industrial, and automotives areas.

We are looking forward to setting up business relationship with you and hope to provide you with the best service and solution. Let us make a better world for our industry!



## Contact us

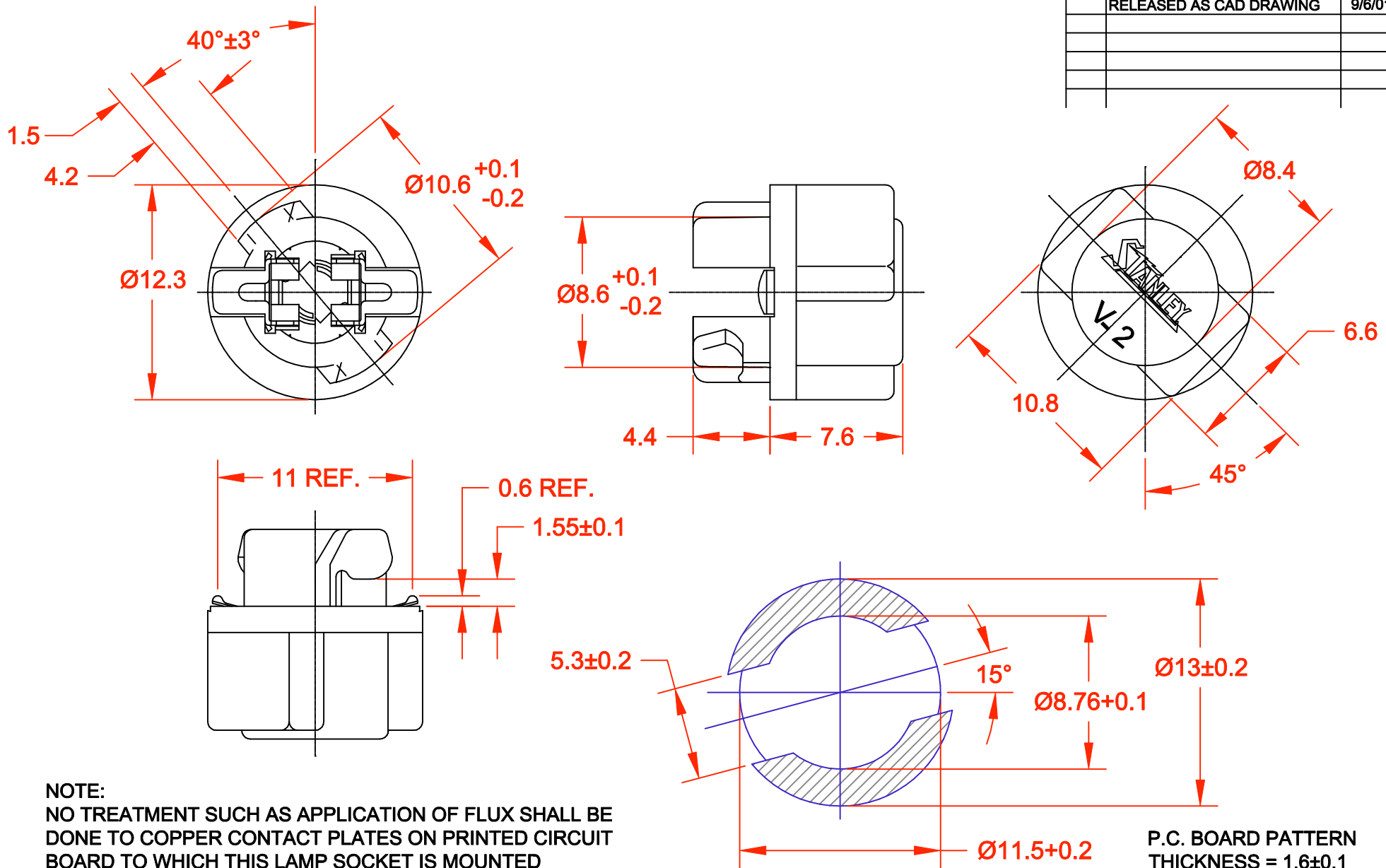
Tel: +86-755-8981 8866 Fax: +86-755-8427 6832

Email & Skype: info@chipsmall.com Web: www.chipsmall.com

Address: A1208, Overseas Decoration Building, #122 Zhenhua RD., Futian, Shenzhen, China

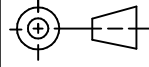


REV.	DESCRIPTION/ECO NO.	DATE
	RELEASED AS CAD DRAWING	9/6/01



**NOTE:**  
NO TREATMENT SUCH AS APPLICATION OF FLUX SHALL BE DONE TO COPPER CONTACT PLATES ON PRINTED CIRCUIT BOARD TO WHICH THIS LAMP SOCKET IS MOUNTED

JKL SOCKET PART NO.	COLOR
2934/BLK	BLACK
2934/BRO	BROWN

<b>METRIC</b>  THIRD ANGLE PROJECTION	DIMENSIONS ARE IN MILLIMETERS TOLERANCE UNLESS OTHERWISE SPECIFIED 1 PL +/- 0.2 2 PL +/- 0.20 ANGLE +/- 0	<b>JKL COMPONENTS CORPORATION</b>			
		TITLE <b>T-1 3/4 WEDGE BASE SOCKET</b>			
DRAWN BY L. WENGSTROM	APPVD BY J.K.	DATE 9/6/01	SIZE <b>A</b>	FSCM NO. <b>55335</b>	DRAWING NO. <b>SOCKET 2934</b>
- CAD DRAWING - MANUAL REVISIONS NOT PERMITTED			SCALE <b>NONE</b>	RELEASED DATE 9/6/01	REVISION DATE 
				REV. NO. 	SHEET <b>1 OF 1</b>