



Chipsmall Limited consists of a professional team with an average of over 10 year of expertise in the distribution of electronic components. Based in Hongkong, we have already established firm and mutual-benefit business relationships with customers from,Europe,America and south Asia,supplying obsolete and hard-to-find components to meet their specific needs.

With the principle of “Quality Parts,Customers Priority,Honest Operation,and Considerate Service”,our business mainly focus on the distribution of electronic components. Line cards we deal with include Microchip,ALPS,ROHM,Xilinx,Pulse,ON,Everlight and Freescale. Main products comprise IC,Modules,Potentiometer,IC Socket,Relay,Connector.Our parts cover such applications as commercial,industrial, and automotives areas.

We are looking forward to setting up business relationship with you and hope to provide you with the best service and solution. Let us make a better world for our industry!



Contact us

Tel: +86-755-8981 8866 Fax: +86-755-8427 6832

Email & Skype: info@chipsmall.com Web: www.chipsmall.com

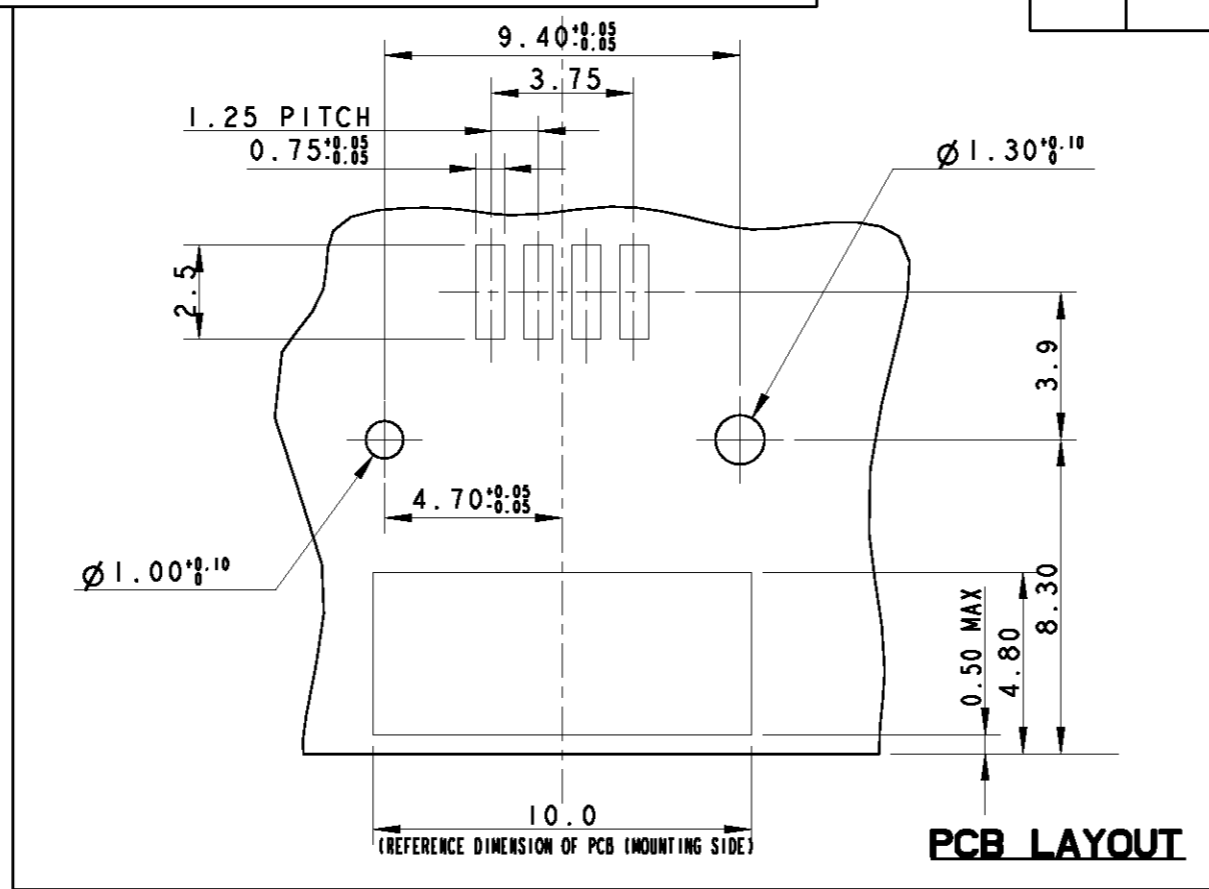
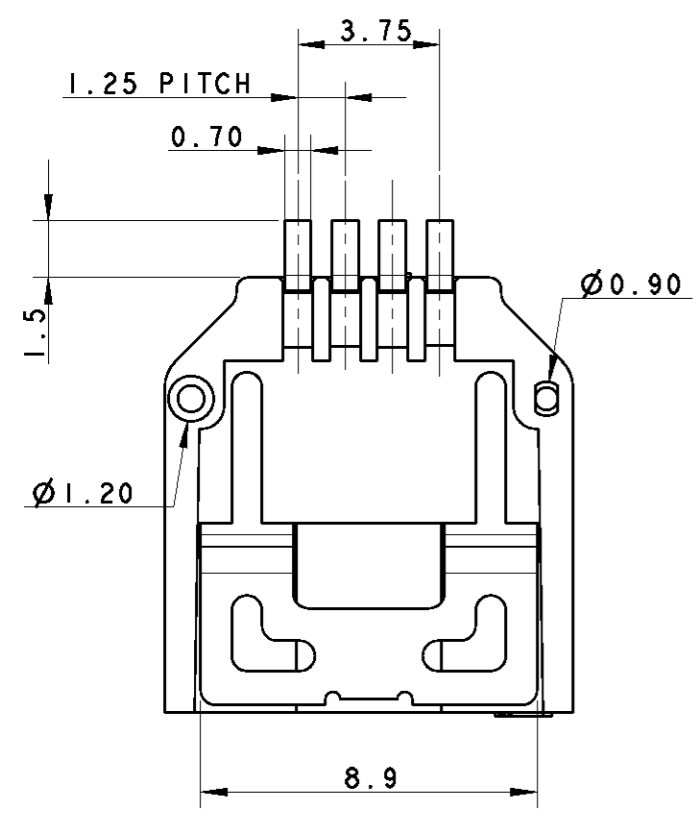
Address: A1208, Overseas Decoration Building, #122 Zhenhua RD., Futian, Shenzhen, China



THIS DRAWING IS UNPUBLISHED. RELEASED FOR PUBLICATION 2008
 © COPYRIGHT 2008 BY TYCO ELECTRONICS CORPORATION. ALL RIGHTS RESERVED.

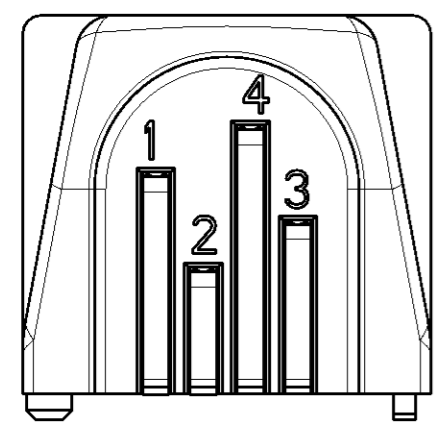
LOC -
 DIST -

REVISIONS					
P	LTR	DESCRIPTION	DATE	DWN	APVD
A		FIRST ISSUE	12SEP2008	D.C.	G.T.
A6		REVISED: CHANGED FORM (CUSTOMER REQUEST)	01MAR2010	D.C.	G.T.
B		RELEASED FOR PRODUCTION	30NOV2010	D.C.	G.T.
BI		REVISED: ADMITTED 0,50MAX ON PCB LAYOUT	28FEB2011	D.C.	G.T.

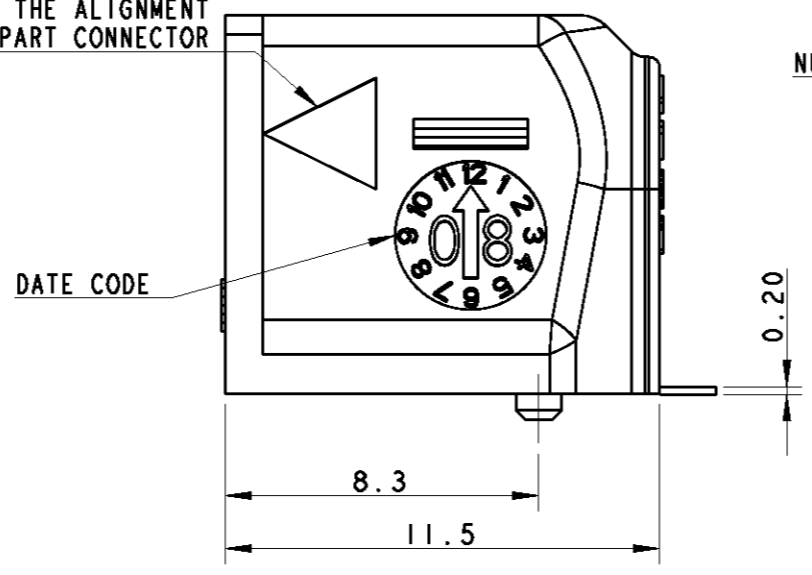


- 1 MATERIAL & FINISH
 CONTACT: COPPER ALLOY, TIN PLATED
 HOUSING: THERMO PLASTIC
 SOLDER PEG: COPPER ALLOY, TIN PLATED
- 2 VOLTAGE: < 30V r.m.s. (42V PEAK)
 CURRENT: MAX. 2A PER WAY (FULL LOADED)

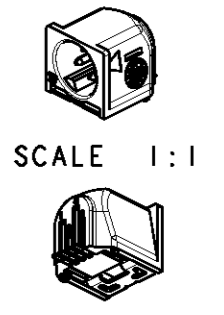
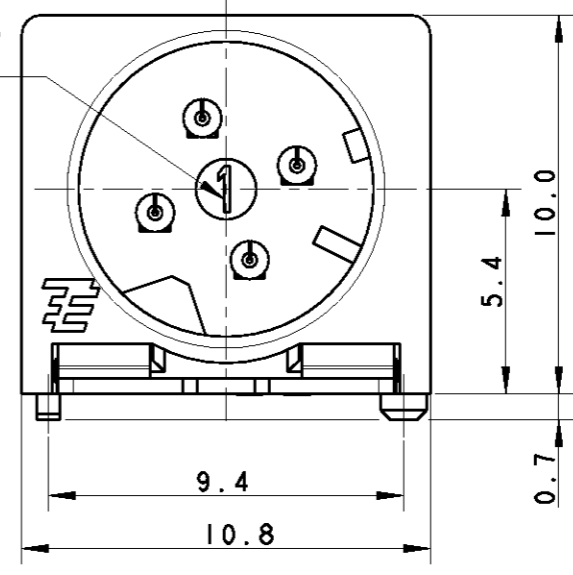
BLACK	293415-2	B
WHITE / LIGHT BROWN	293415-1	B
MATERIAL COLOUR	PART NUMBER	REV.



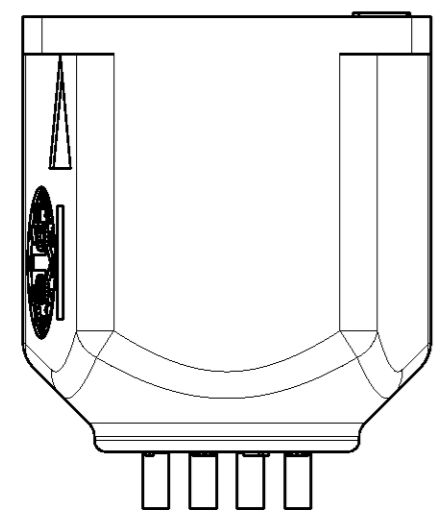
REFERENCE MARK FOR THE ALIGNMENT WITH THE COUNTERPART CONNECTOR



MOULD CAVITY ID NUMBER (OPTIONAL)



SCALE 1:1



THE PRESENTED PRODUCT / DESIGN WILL BE RELEASED FOR THE MANUFACTURING OF THE NECESSARY PRODUCTION TOOLS HEREBY. FURTHER CHANGES HAS TO BE PAID BY CUSTOMER.
 DATE, SIGN OF THE CUSTOMER

DIMENSIONS: mm		TOLERANCES UNLESS OTHERWISE SPECIFIED:	
0 PLC	±0.5	1 PLC	±0.3
2 PLC	±0.1	3 PLC	±
4 PLC	±	ANGLES	±3°
MATERIAL		FINISH	

DWN	12SEP2008
CHK	12SEP2008
APVD	12SEP2008
PRODUCT SPEC	108-20302
APPLICATION SPEC	114-20147
WEIGHT	-

Tyco Electronics		Tyco Electronics AMP Italia S.r.l. C.so F.lli Cervi, 15 - Collegno (TO)	
NAME 4 POS. LOW VOLTAGE SMD MALE CONNECTOR			
SIZE	CAGE CODE	DRAWING NO	RESTRICTED TO
A3	00779	C-293415	-
CUSTOMER DRAWING		SCALE 5:1	SHEET 1 OF 2 REV BI

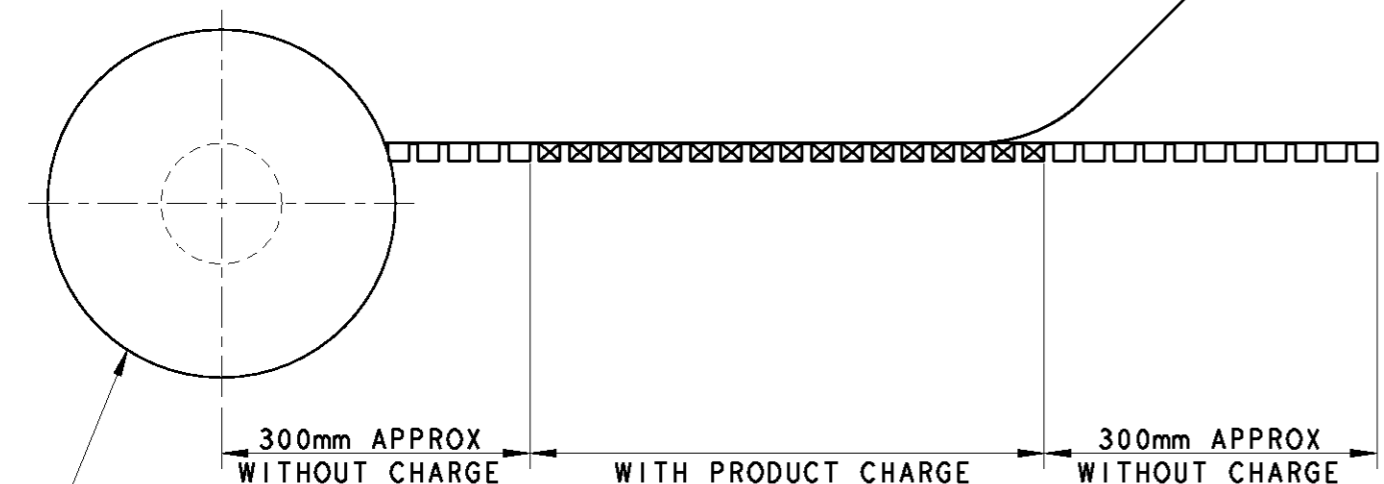
THIS DRAWING IS UNPUBLISHED. RELEASED FOR PUBLICATION 2008

© COPYRIGHT 2008 BY TYCO ELECTRONICS CORPORATION. ALL RIGHTS RESERVED.

LOC	DIST	REVISIONS					
		P	LTR	DESCRIPTION	DATE	DWN	APVD
1	-	-	-	SEE SHEET 1	-	-	-

QUANTITY PER REEL: 250 CONNECTORS
QUANTITY PER CARTON BOX: 1500 CONNECTORS (6 REELS PER CARTON BOX)

WEEDING THE COVER TAPE AROUND THE OUTER PERIPHERY IN A TURN

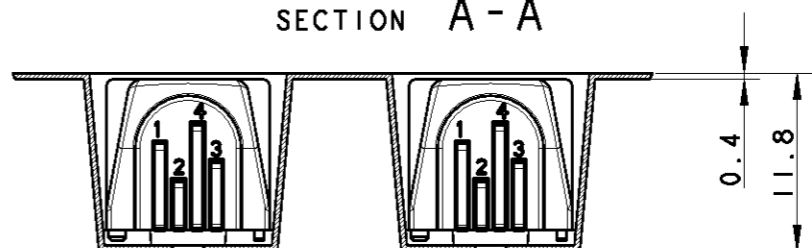


REEL SIZE: Ø330 x Ø100(HUB) x 29.0W (24.4W INSIDE)

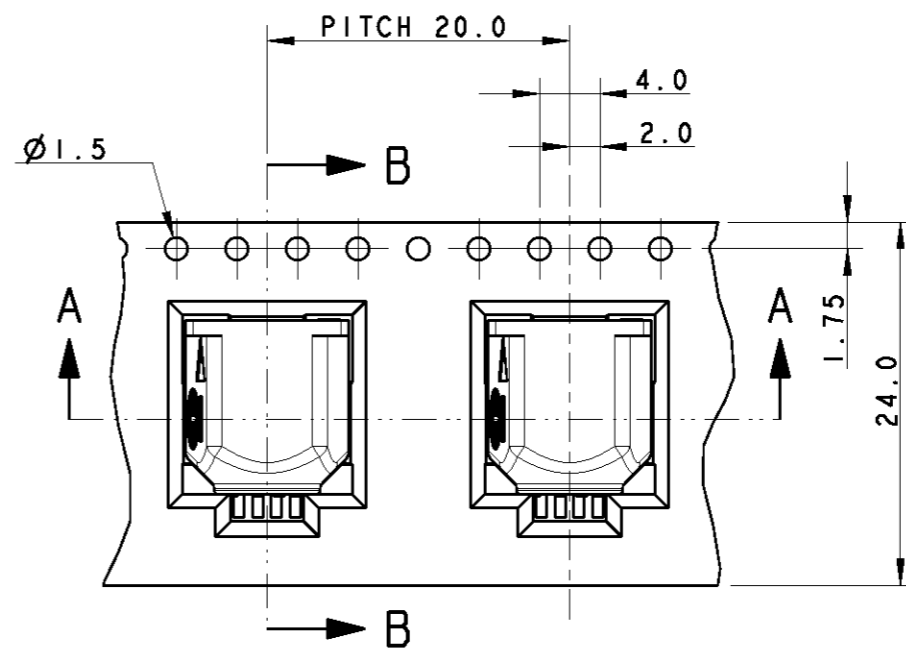
SCALE 1:5

PACKAGING STYLE

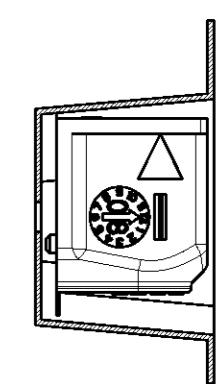
SECTION A-A



PITCH 20.0



SECTION B-B



DIRECTION OFF TOP OF REEL

THE PRESENTED PRODUCT / DESIGN WILL BE RELEASED FOR THE MANUFACTURING OF THE NECESSARY PRODUCTION TOOLS HEREBY. FURTHER CHANGES HAS TO BE PAYED BY CUSTOMER.

DATE, SIGN OF THE CUSTOMER

<small>THIS DRAWING IS A CONTROLLED DOCUMENT FOR TYCO ELECTRONICS CORPORATION IT IS SUBJECT TO CHANGE AND THE CONTROLLING ENGINEERING ORGANIZATION SHOULD BE CONTACTED FOR THE LATEST REVISION.</small>		DWN D. CHIARELLI 12SEP2008 CHK D. CHIARELLI 12SEP2008 APVD G. TURCO 12SEP2008		Tyco Electronics AMP Italia S.r.l. C.so F.lli Cervi, 15 - Collegno (TO)	
DIMENSIONS: mm 		TOLERANCES UNLESS OTHERWISE SPECIFIED: 0 PLC ±0.5 1 PLC ±0.3 2 PLC ±0.1 3 PLC ± 4 PLC ± ANGLES ±3°		NAME 4 POS. LOW VOLTAGE SMD MALE CONNECTOR	
MATERIAL		FINISH		PRODUCT SPEC - APPLICATION SPEC - WEIGHT -	SIZE A3 CAGE CODE 00779 DRAWING NO C-293415
CUSTOMER DRAWING				SCALE 5:1	SHEET 2 OF 2 REV B1