



Chipsmall Limited consists of a professional team with an average of over 10 year of expertise in the distribution of electronic components. Based in Hongkong, we have already established firm and mutual-benefit business relationships with customers from,Europe,America and south Asia,supplying obsolete and hard-to-find components to meet their specific needs.

With the principle of “Quality Parts,Customers Priority,Honest Operation,and Considerate Service”,our business mainly focus on the distribution of electronic components. Line cards we deal with include Microchip,ALPS,ROHM,Xilinx,Pulse,ON,Everlight and Freescale. Main products comprise IC,Modules,Potentiometer,IC Socket,Relay,Connector.Our parts cover such applications as commercial,industrial, and automotives areas.

We are looking forward to setting up business relationship with you and hope to provide you with the best service and solution. Let us make a better world for our industry!



Contact us

Tel: +86-755-8981 8866 Fax: +86-755-8427 6832

Email & Skype: info@chipsmall.com Web: www.chipsmall.com




Address: A1208, Overseas Decoration Building, #122 Zhenhua RD., Futian, Shenzhen, China

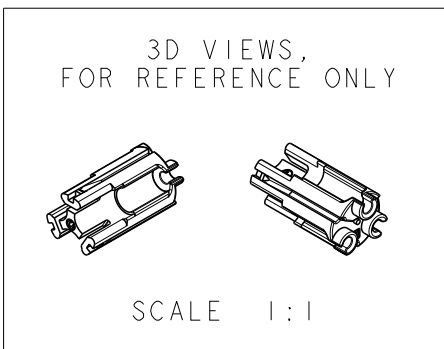
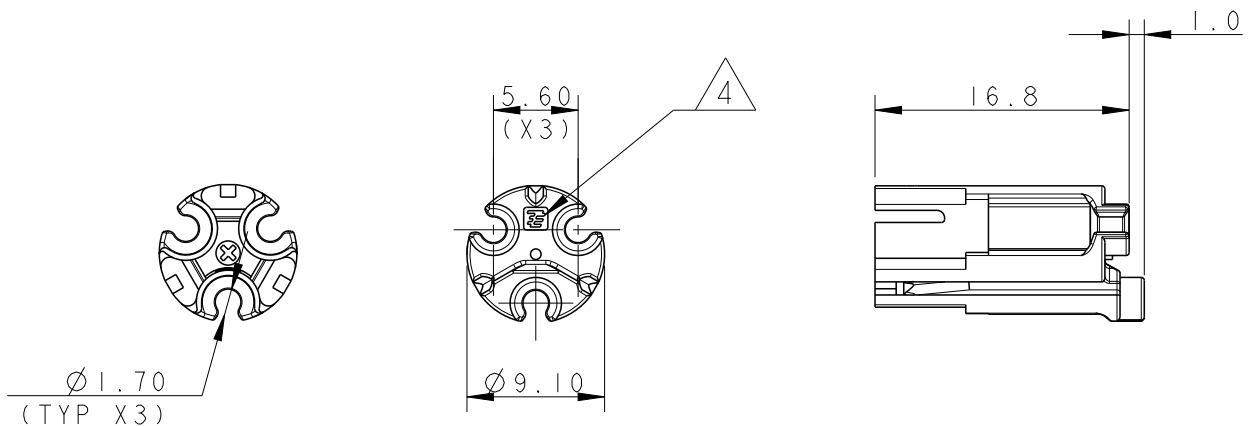
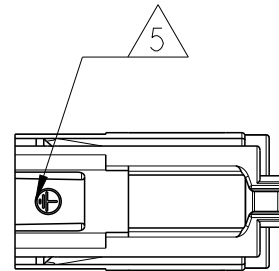



LOC	DIST	REVISIONS					
		P	LTR	DESCRIPTION	DATE	DWN	APVD
1	-		F I	REVISED	07NOV2012	MZ	JC
			G	REVISED AS PER ECR-15-009980	07JUL2015	RS	JL
			H	REVISED AS PER ECR-16-004384	07APR2016	RS	JL
			HI	REVISED AS PER ECR-16-006076	27APR2016	RS	JL

NOTES:

- 1) MATERIAL: POLYAMIDE GLASS FILLED
COLOUR: NATURAL
- 2) PACKAGING: SEE TE PACKAGING SPECIFICATION 107-20294


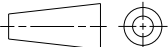
-  INTERIM PART NUMBER
-  TE LOGO
-  PE SYMBOL FOR CAVITY IDENTIFICATION



NATURAL	LOCKING FOR CONTACTS NECTOR* M-LINE	-	293470-2
NATURAL	LOCKING FOR CONTACTS NECTOR* M-LINE		293470-1
COLOUR	DESCRIPTION	NOTE	PART NUMBER

2010 RELEASED FOR PUBLICATION

© COPYRIGHT 2010 Tyco Electronics AMP GmbH ALL RIGHTS RESERVED.

DIMENSIONS: mm	DWN M. ZUCCA 16OCT2009	MATERIAL	NOTE 1	FINISH	-
TOLERANCES UNLESS OTHERWISE SPECIFIED:	CHK M. ZUCCA 16OCT2009	 TE Connectivity			
0 PLC ±-	APVD G. TURCO 16OCT2009				
1 PLC ±0.3	PRODUCT SPEC	NAME LOCKING FOR CONTACTS NECTOR* M-LINE			
2 PLC ±0.20	108-20304	SIZE	CAGE CODE	DRAWING NO	RESTRICTED TO
3 PLC ±-	APPLICATION SPEC	A 4	00779	C-293470	-
4 PLC ±-	114-20152				
ANGLES ±3°	WEIGHT -	CUSTOMER DRAWING			
	SCALE 2:1		SHEET 1 OF 1		REV HI