



Chipsmall Limited consists of a professional team with an average of over 10 year of expertise in the distribution of electronic components. Based in Hongkong, we have already established firm and mutual-benefit business relationships with customers from,Europe,America and south Asia,supplying obsolete and hard-to-find components to meet their specific needs.

With the principle of “Quality Parts,Customers Priority,Honest Operation,and Considerate Service”,our business mainly focus on the distribution of electronic components. Line cards we deal with include Microchip,ALPS,ROHM,Xilinx,Pulse,ON,Everlight and Freescale. Main products comprise IC,Modules,Potentiometer,IC Socket,Relay,Connector.Our parts cover such applications as commercial,industrial, and automotives areas.

We are looking forward to setting up business relationship with you and hope to provide you with the best service and solution. Let us make a better world for our industry!



Contact us

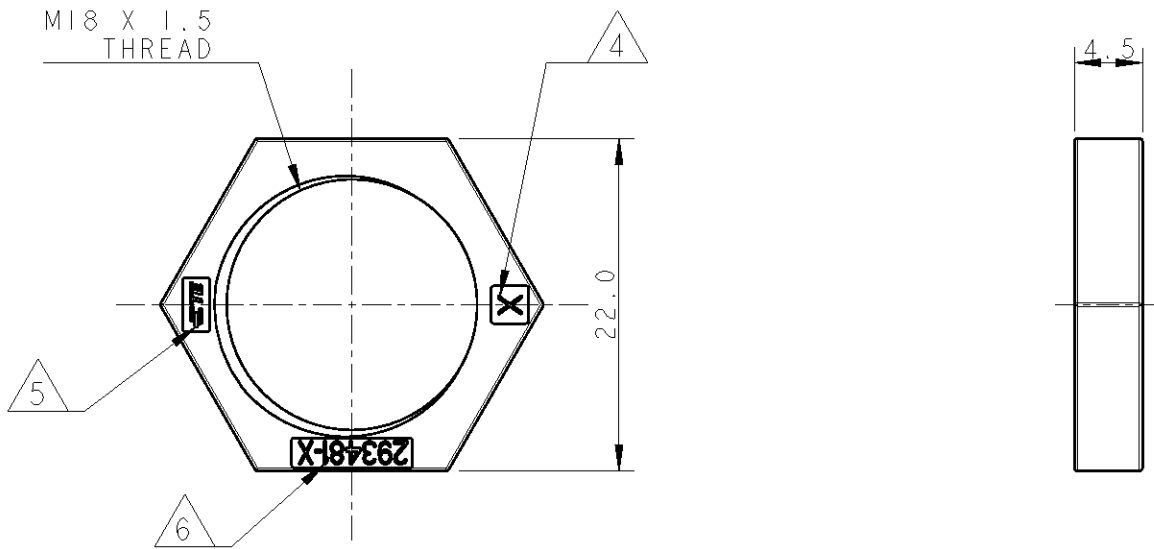
Tel: +86-755-8981 8866 Fax: +86-755-8427 6832

Email & Skype: info@chipsmall.com Web: www.chipsmall.com

Address: A1208, Overseas Decoration Building, #122 Zhenhua RD., Futian, Shenzhen, China



LOC	DIST	REVISIONS					
	-	P	LTR	DESCRIPTION	DATE	DWN	APVD
			BI	REVISED MARKINGS	05NOV2012	MZ	JC



NOTES:

① MATERIAL: POLYAMIDE GLASS FILLED
COLOUR: NATURAL

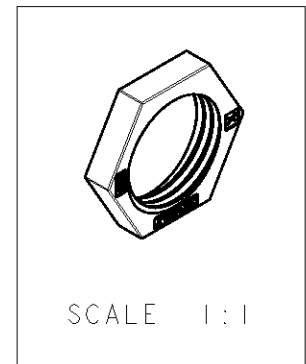
② MATERIAL: POLYAMIDE GLASS FILLED
COLOUR: BLACK

3) PACKAGING: SEE TE PACKAGING
SPECIFICATION 107-20294

④ CAVITY MOULD ID

⑤ TE LOGO

⑥ TE PART NUMBER



②	BLACK	SCREW NUT NECTOR* M-LINE	B	1-293481-1
①	NATURAL	SCREW NUT NECTOR* M-LINE	B	293481-1
NOTE	COLOUR	DESCRIPTION	REV.	PART NUMBER

THIS DRAWING IS UNPUBLISHED. BY - ALL RIGHTS RESERVED. 2011

DIMENSIONS: mm	DWN M. ZUCCA	03NOV2010	MATERIAL	NOTE 1	FINISH	-
	CHK M. ZUCCA	03NOV2010	TE TE Connectivity			
TOLERANCES UNLESS OTHERWISE SPECIFIED:	APVD G. TURCO	03NOV2010				
0 PLC ±-	PRODUCT SPEC	108-20304	NAME SCREW NUT NECTOR* M-LINE			
1 PLC ±0.3	APPLICATION SPEC	114-20152	SIZE	CAGE CODE	DRAWING NO	RESTRICTED TO
2 PLC ±0.20	WEIGHT	-	A4	00779	G=293481	-
3 PLC ±-	Customer Drawing					
4 PLC ±-	SCALE 2:1 SHEET 1 OF 1 REV B1					
ANGLES ±3°						