



Chipsmall Limited consists of a professional team with an average of over 10 year of expertise in the distribution of electronic components. Based in Hongkong, we have already established firm and mutual-benefit business relationships with customers from,Europe,America and south Asia,supplying obsolete and hard-to-find components to meet their specific needs.

With the principle of “Quality Parts,Customers Priority,Honest Operation,and Considerate Service”,our business mainly focus on the distribution of electronic components. Line cards we deal with include Microchip,ALPS,ROHM,Xilinx,Pulse,ON,Everlight and Freescale. Main products comprise IC,Modules,Potentiometer,IC Socket,Relay,Connector.Our parts cover such applications as commercial,industrial, and automotives areas.

We are looking forward to setting up business relationship with you and hope to provide you with the best service and solution. Let us make a better world for our industry!



## Contact us

Tel: +86-755-8981 8866 Fax: +86-755-8427 6832

Email & Skype: info@chipsmall.com Web: www.chipsmall.com

Address: A1208, Overseas Decoration Building, #122 Zhenhua RD., Futian, Shenzhen, China



4

3

2

1

THIS DRAWING IS UNPUBLISHED.

RELEASED FOR PUBLICATION

2011

LOC

DIST

REVISIONS

© COPYRIGHT 2011 BY - ALL RIGHTS RESERVED.

P	LTR	DESCRIPTION	DATE	DWN	APVD
	E	UPDATED	20FEB2013	MZ	JC
	F	PARTS -1, -2, -3 RELEASED FOR PRODUCTION	27JUN2013	KR	JC

VISUAL INDICATOR FOR PE CONDUCTOR

NOTES:

1) MATERIAL: POLYAMIDE GLASS FILLED  
COLOUR NATURAL

2) PACKAGING: SEE TE PACKAGING SPECIFICATION  
107-20294

△3 N CODE

△4 L CODE

△5 PE CODE

△6 TE LOGO

△7 RATED VOLTAGE

△8 RATED CURRENT

△9 PART NOT YET RELEASED FOR PRODUCTION

NOTE	COLOUR	POL. KEYING	DESCRIPTION	REV.	PART NUMBER
△9	NATURAL	F	PIN CONNECTOR PCB 90 DEG NECTOR* M-LINE	E	293590-6
△9	NATURAL	E	PIN CONNECTOR PCB 90 DEG NECTOR* M-LINE	E	293590-5
△9	NATURAL	D	PIN CONNECTOR PCB 90 DEG NECTOR* M-LINE	E	293590-4
	NATURAL	C	PIN CONNECTOR PCB 90 DEG NECTOR* M-LINE	F	293590-3
	NATURAL	B	PIN CONNECTOR PCB 90 DEG NECTOR* M-LINE	F	293590-2
	NATURAL	A	PIN CONNECTOR PCB 90 DEG NECTOR* M-LINE	F	293590-1

5.60 (X3)

Ø13.10

Ø14.9

5.9 (X2)

4.9

7

4

8

5

6

3

4.9

SCALE 1:1

THIS DRAWING IS A CONTROLLED DOCUMENT.

DIMENSIONS:	TOLERANCES UNLESS OTHERWISE SPECIFIED:
mm	
0 PLC	±
1 PLC	±0.3
2 PLC	±0.20
3 PLC	±
4 PLC	±
ANGLES	±3°
MATERIAL	FINISH
-	-

DWN	M. ZUCCA	28OCT2009
CHK	M. ZUCCA	28OCT2009
APVD	G. TURCO	28OCT2009
PRODUCT SPEC	108-20304	
APPLICATION SPEC	114-20152	
WEIGHT	-	

		TE Connectivity	
		NAME	
PIN CONNECTOR PCB VERTICAL VERSION NECTOR* M-LINE 3 POS. UNSEALED			
SIZE	CAGE CODE	DRAWING NO	RESTRICTED TO
A3	00779	C-293590	-

Customer Drawing	SCALE 3:1	SHEET 1 OF 3	REV F
------------------	-----------	--------------	-------

1470-19 (3/11)

THIS DRAWING IS UNPUBLISHED.

RELEASED FOR PUBLICATION

2011

© COPYRIGHT 2011 BY -

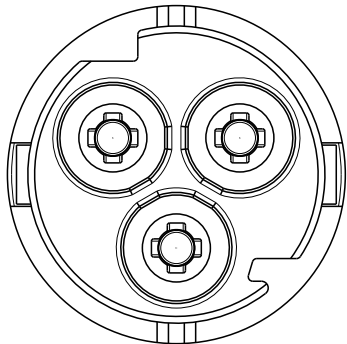
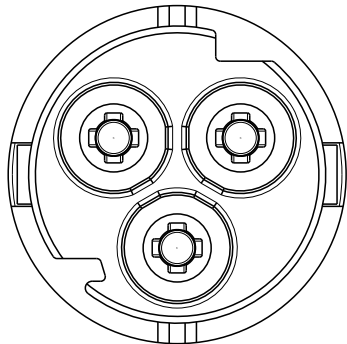
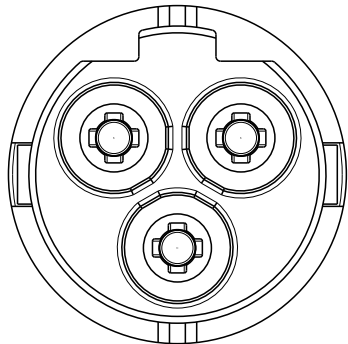
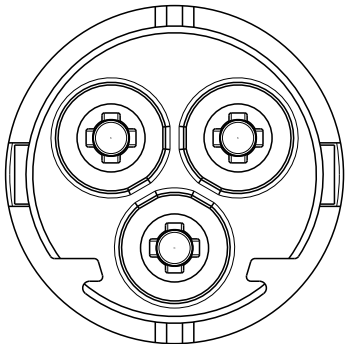
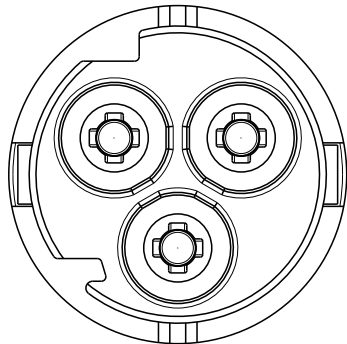
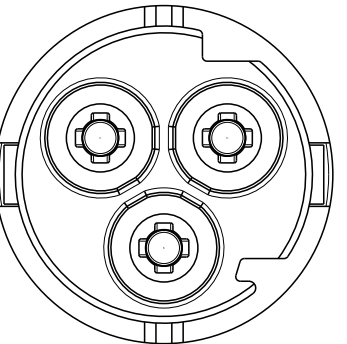
ALL RIGHTS RESERVED.

LOC 1  
DIST -

REVISIONS

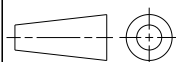
P	LTR	DESCRIPTION	DATE	DWN	APVD
-		SEE SHEET 1	-	-	-

POLARIZATION KEYS

TYPE "A"	TYPE "B"	TYPE "C"	TYPE "D"	TYPE "E"	TYPE "F"
P/N 293590-1 AS SHOWN	P/N 293590-2 AS SHOWN	P/N 293590-3 AS SHOWN	P/N 293590-4 AS SHOWN	P/N 293590-5 AS SHOWN	P/N 293590-6 AS SHOWN
					

THIS DRAWING IS A CONTROLLED DOCUMENT.

DIMENSIONS:  
mm



TOLERANCES UNLESS OTHERWISE SPECIFIED:

- 0 PLC ±-
- 1 PLC ±0.3
- 2 PLC ±0.20
- 3 PLC ±-
- 4 PLC ±-
- ANGLES ±3°
- FINISH -

MATERIAL -

DWN M. ZUCCA 28OCT2009

CHK M. ZUCCA 28OCT2009

APVD G. TURCO 28OCT2009

PRODUCT SPEC 108-20304

APPLICATION SPEC 114-20152

WEIGHT -

Customer Drawing



TE Connectivity

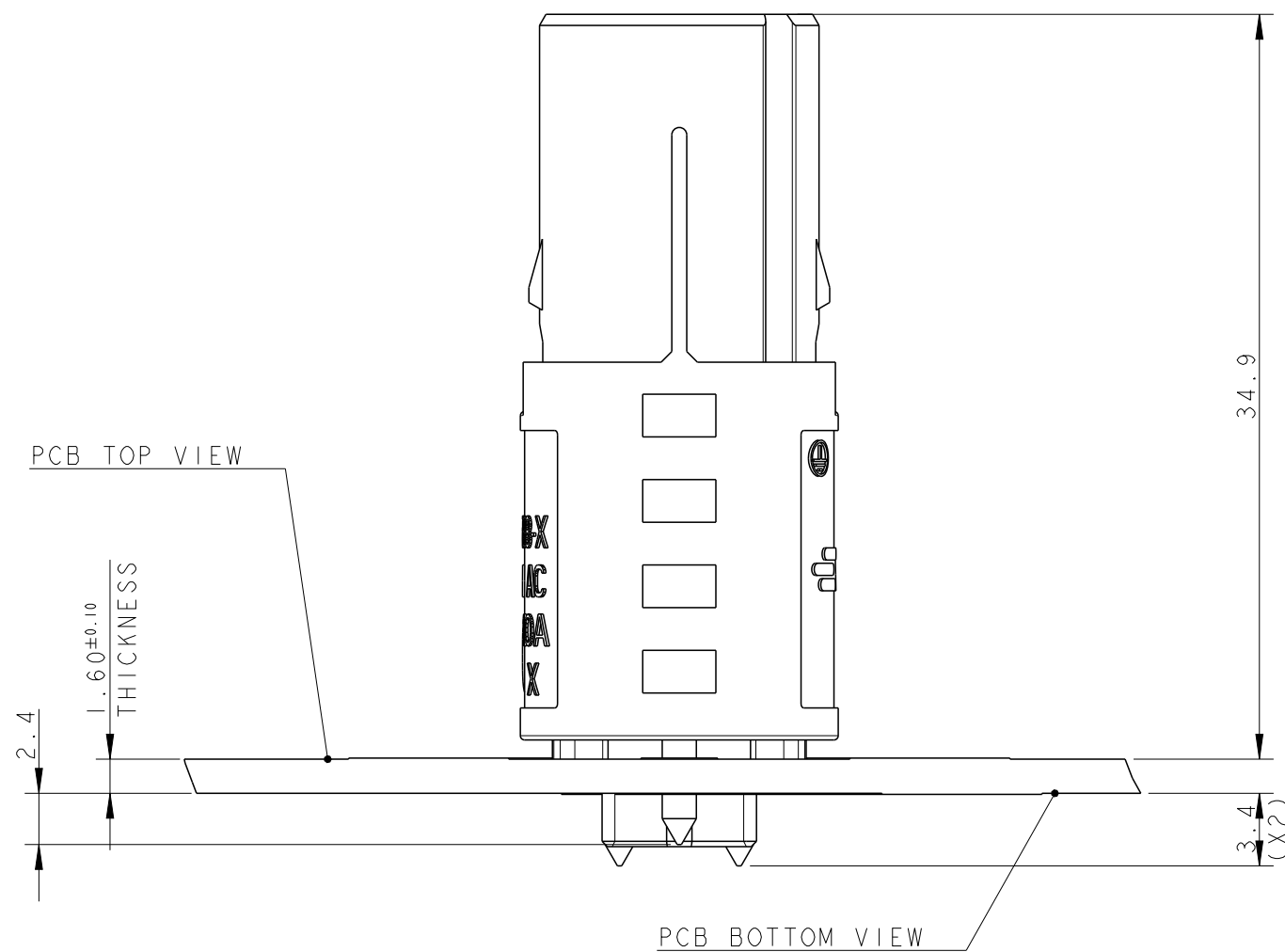
NAME  
PIN CONNECTOR PCB  
VERTICAL VERSION  
NECTOR\* M-LINE 3 POS. UNSEALED

SIZE CAGE CODE DRAWING NO RESTRICTED TO

A300779 C-293590

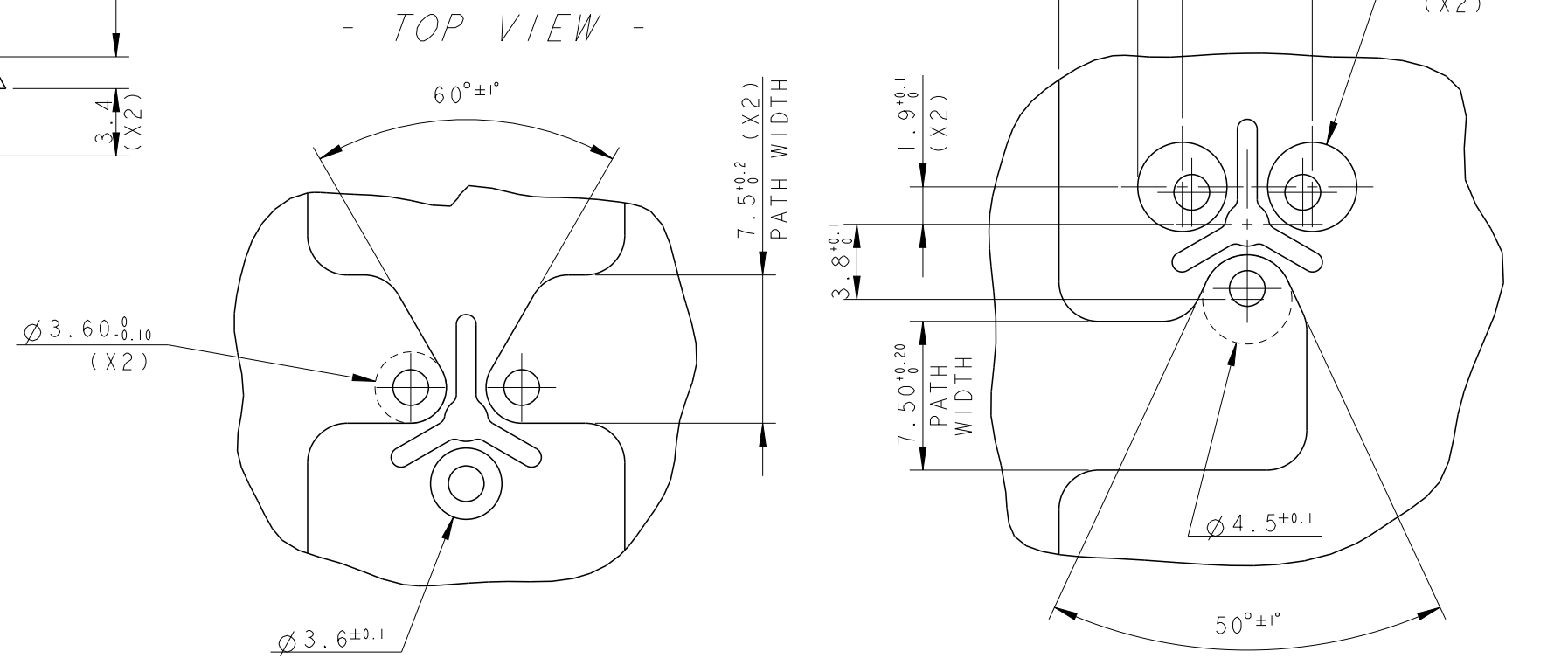
SCALE 3:1 SHEET 2 OF 3 REV F

P	LTR	DESCRIPTION	DATE	DWN	APVD
-	-	SEE SHEET 1	-	-	-

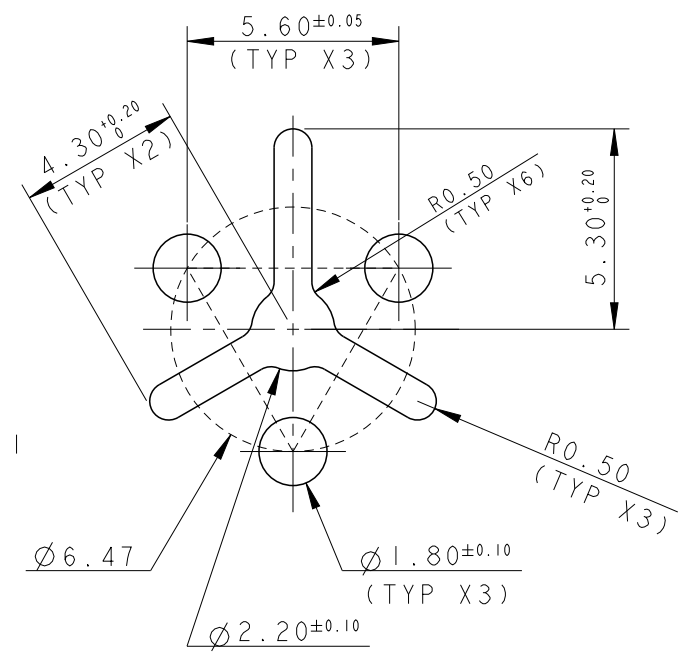


SUGGESTED L, N AND PE TRACKS LAYOUT ON PCB

- BOTTOM VIEW -



SUGGESTED PCB LAYOUT



SCALE 5:1

THIS DRAWING IS A CONTROLLED DOCUMENT.		DWN M. ZUCCA 28OCT2009	<b>STE</b> TE Connectivity	
DIMENSIONS: mm		CHK M. ZUCCA 28OCT2009		
TOLERANCES UNLESS OTHERWISE SPECIFIED:		APVD G. TURCO 28OCT2009	NAME PIN CONNECTOR PCB VERTICAL VERSION NECTOR* M-LINE 3 POS. UNSEALED	
0 PLC ±-		PRODUCT SPEC 108-20304	SIZE CAGE CODE DRAWING NO RESTRICTED TO	
1 PLC ±0.3		APPLICATION SPEC 114-20152	A300779 C-293590	
2 PLC ±0.20		WEIGHT -	SCALE 3:1 SHEET 3 OF 3 REV F	
3 PLC ±-		Customer Drawing		
4 PLC ±-				
ANGLES ±3°				
FINISH -				