



Chipsmall Limited consists of a professional team with an average of over 10 year of expertise in the distribution of electronic components. Based in Hongkong, we have already established firm and mutual-benefit business relationships with customers from,Europe,America and south Asia,supplying obsolete and hard-to-find components to meet their specific needs.

With the principle of “Quality Parts,Customers Priority,Honest Operation,and Considerate Service”,our business mainly focus on the distribution of electronic components. Line cards we deal with include Microchip,ALPS,ROHM,Xilinx,Pulse,ON,Everlight and Freescale. Main products comprise IC,Modules,Potentiometer,IC Socket,Relay,Connector.Our parts cover such applications as commercial,industrial, and automotives areas.

We are looking forward to setting up business relationship with you and hope to provide you with the best service and solution. Let us make a better world for our industry!



Contact us

Tel: +86-755-8981 8866 Fax: +86-755-8427 6832

Email & Skype: info@chipsmall.com Web: www.chipsmall.com

Address: A1208, Overseas Decoration Building, #122 Zhenhua RD., Futian, Shenzhen, China



THIS DRAWING IS UNPUBLISHED.

RELEASED FOR PUBLICATION

2011

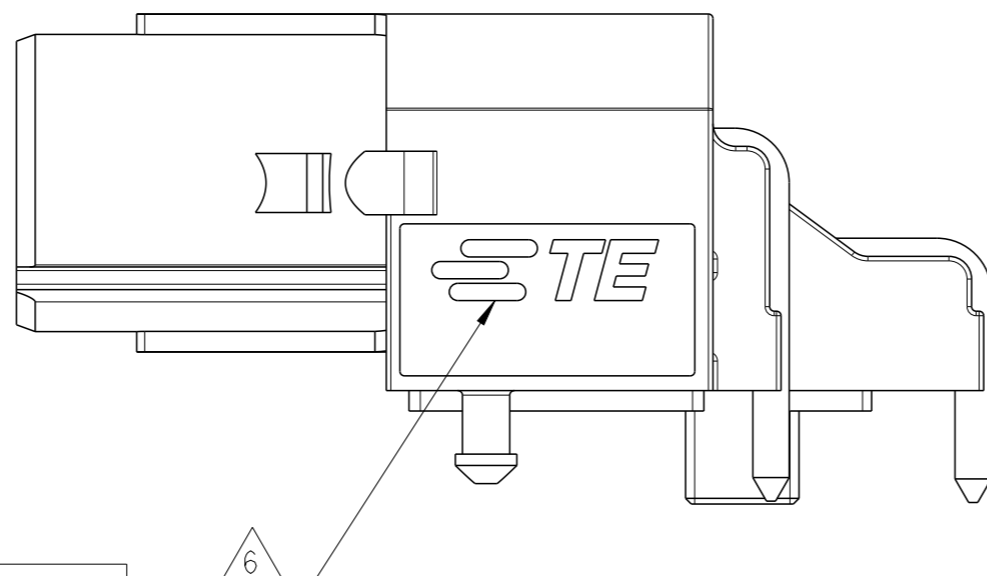
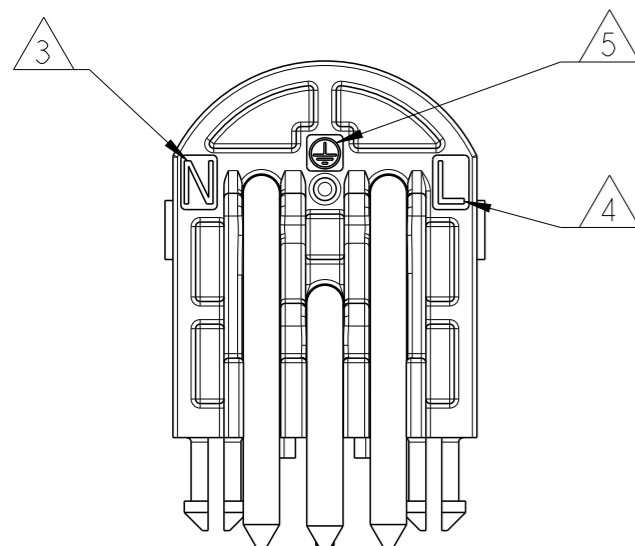
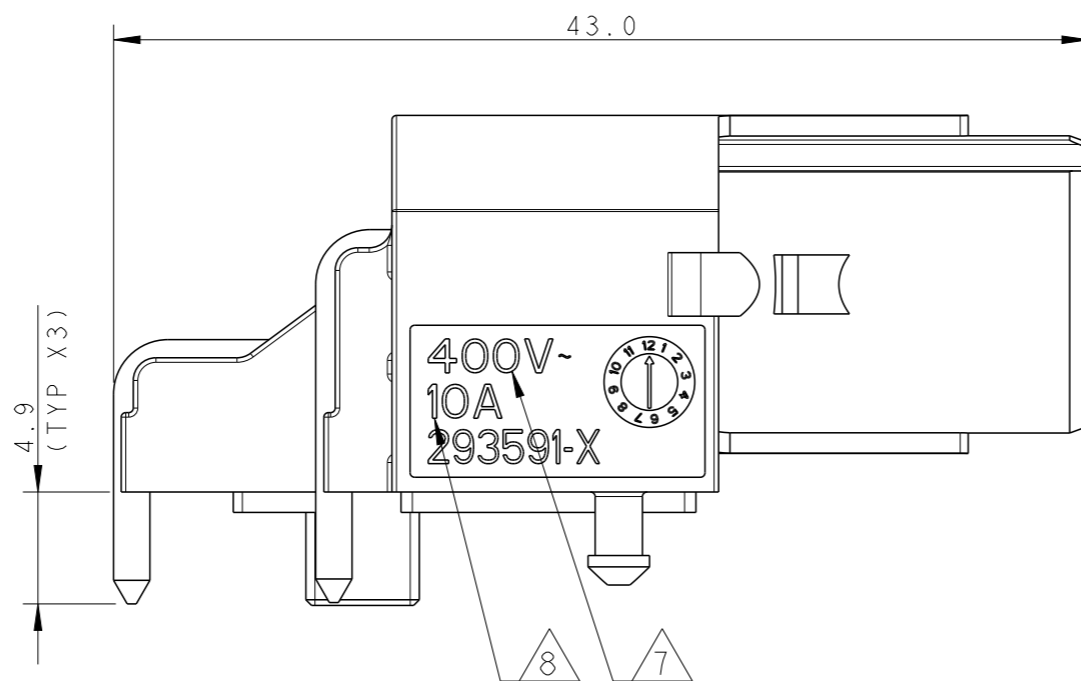
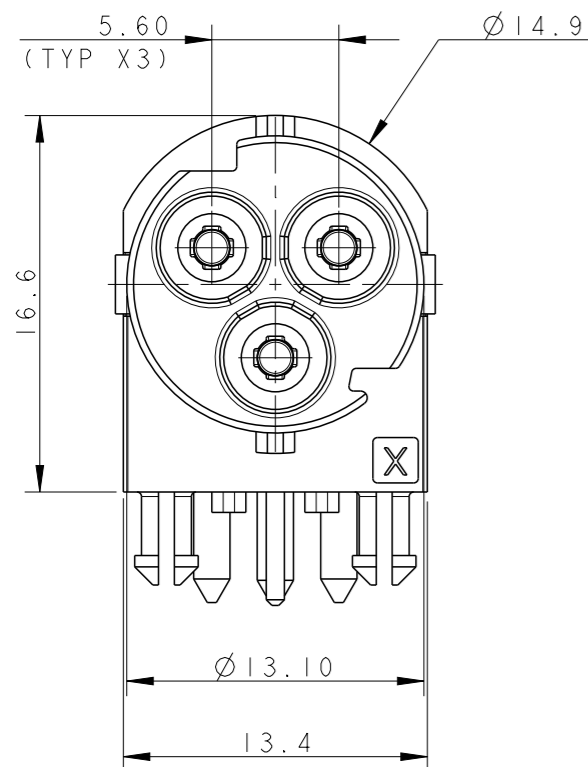
LOC

DIST

REVISIONS

© COPYRIGHT 2011 BY - ALL RIGHTS RESERVED.

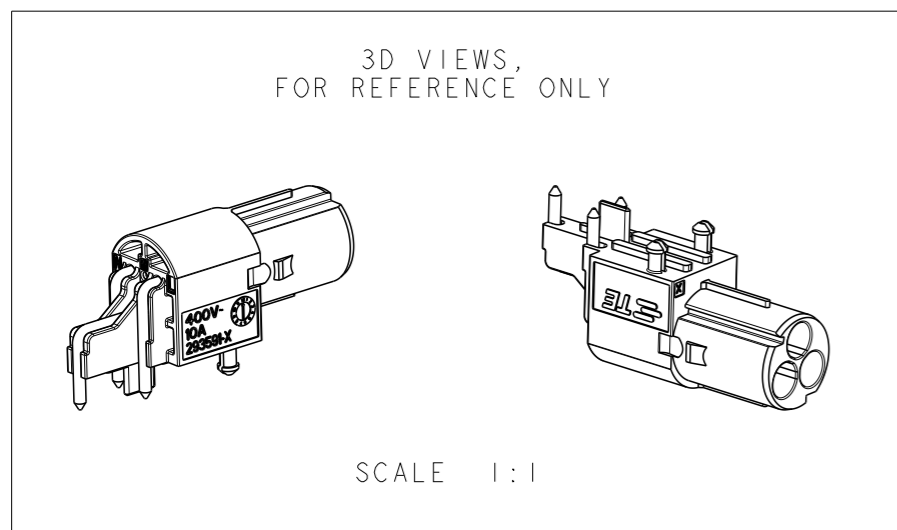
P	LTR	DESCRIPTION	DATE	DWN	APVD
E		UPDATED	12DEC2012	MZ	JC
F		PARTS -1, -2, -3 RELEASED FOR PRODUCTION	27JUN2013	KR	JC



NOTES:

- 1) MATERIAL: POLYAMIDE GLASS FILLED
COLOUR NATURAL
- 2) PACKAGING: SEE TE PACKAGING SPECIFICATION
107-20294
- 3 N CODE
- 4 L CODE
- 5 PE CODE
- 6 TE LOGO
- 7 RATED VOLTAGE
- 8 RATED CURRENT
- 9 PART NOT YET RELEASED FOR PRODUCTION

NOTE	COLOUR	POL. KEYING	DESCRIPTION	REV.	PART NUMBER
9	NATURAL	F	PIN CONNECTOR PCB 90 DEG NECTOR* M-LINE	E	293593-6
9	NATURAL	E	PIN CONNECTOR PCB 90 DEG NECTOR* M-LINE	E	293593-5
9	NATURAL	D	PIN CONNECTOR PCB 90 DEG NECTOR* M-LINE	E	293593-4
	NATURAL	C	PIN CONNECTOR PCB 90 DEG NECTOR* M-LINE	F	293593-3
	NATURAL	B	PIN CONNECTOR PCB 90 DEG NECTOR* M-LINE	F	293593-2
	NATURAL	A	PIN CONNECTOR PCB 90 DEG NECTOR* M-LINE	F	293593-1



THIS DRAWING IS A CONTROLLED DOCUMENT.

DIMENSIONS:	TOLERANCES UNLESS OTHERWISE SPECIFIED:
mm	
	0 PLC ±-
	1 PLC ±0.3
	2 PLC ±0.20
	3 PLC ±-
	4 PLC ±-
	ANGLES ±3°
MATERIAL -	FINISH -

DWN M. ZUCCA 30OCT2009	 TE Connectivity	NAME PIN CONNECTOR PCB STRAIGHT VERSION NECTOR* M-LINE	SIZE A300779	CAGE CODE C-293593	DRAWING NO 108-20304 APPLICATION SPEC 114-20152	RESTRICTED TO -
CHK M. ZUCCA 30OCT2009						
APVD G. TURCO 30OCT2009						
PRODUCT SPEC						
WEIGHT -	Customer Drawing	SCALE 3:1	SHEET 1 OF 3	REV F		

THIS DRAWING IS UNPUBLISHED.

RELEASED FOR PUBLICATION

2011

© COPYRIGHT 2011 BY -

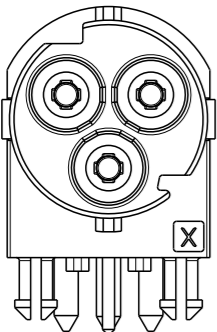
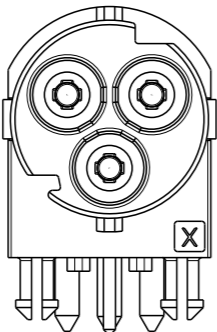
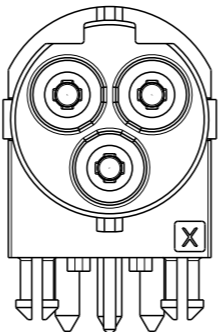
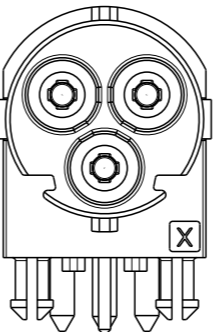
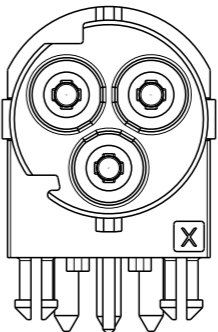
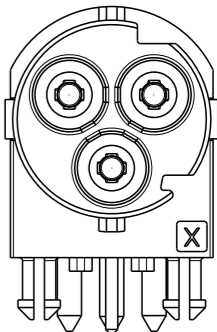
ALL RIGHTS RESERVED.

LOC 1
DIST -

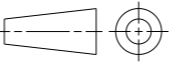
REVISIONS

P	LTR	DESCRIPTION	DATE	DWN	APVD
-	-	SEE SHEET 1	-	-	-

POLARIZATION KEYS

TYPE "A"	TYPE "B"	TYPE "C"	TYPE "D"	TYPE "E"	TYPE "F"
P/N 293593-1 AS SHOWN	P/N 293593-2 AS SHOWN	P/N 293593-3 AS SHOWN	P/N 293593-4 AS SHOWN	P/N 293593-5 AS SHOWN	P/N 293593-6 AS SHOWN
					

THIS DRAWING IS A CONTROLLED DOCUMENT.

DIMENSIONS: mm	
MATERIAL -	FINISH -

TOLERANCES UNLESS OTHERWISE SPECIFIED:	
0 PLC	±-
1 PLC	±0.3
2 PLC	±0.20
3 PLC	±-
4 PLC	±-
ANGLES	±3°

DWN	M. ZUCCA	30OCT2009
CHK	M. ZUCCA	30OCT2009
APVD	G. TURCO	30OCT2009
PRODUCT SPEC	108-20304	
APPLICATION SPEC	114-20152	
WEIGHT	-	

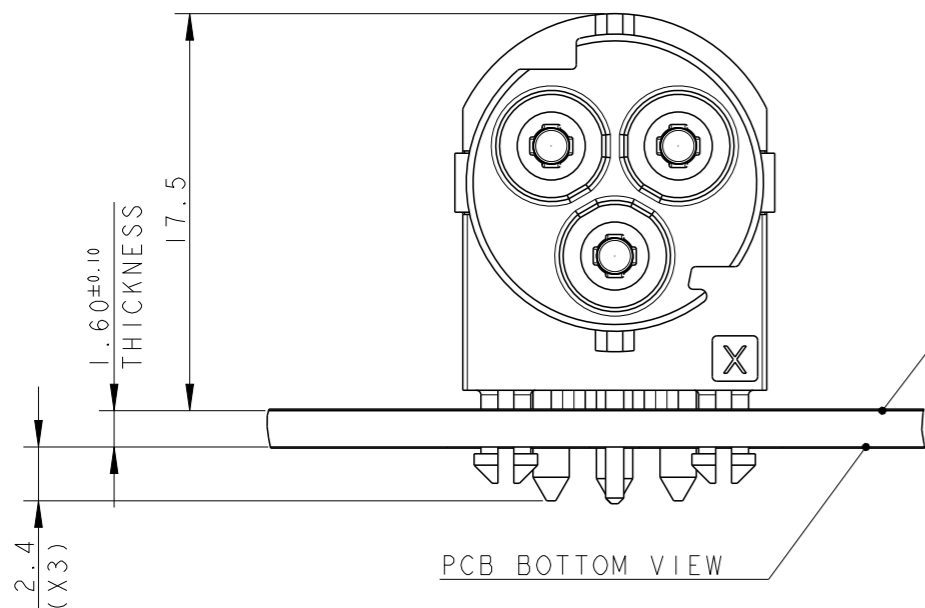
		TE Connectivity	
		NAME PIN CONNECTOR PCB STRAIGHT VERSION NECTOR* M-LINE	
SIZE	CAGE CODE	DRAWING NO	RESTRICTED TO
A3	00779	C-293593	-

LOC	DIST
1	-

P	LTR	DESCRIPTION	DATE	DWN	APVD
-	-	SEE SHEET 1	-	-	-

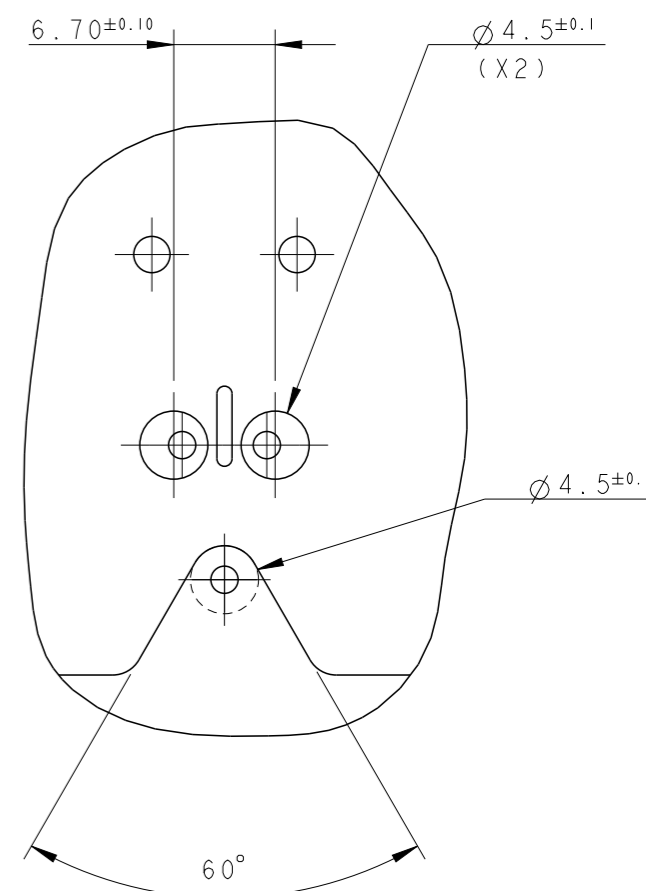
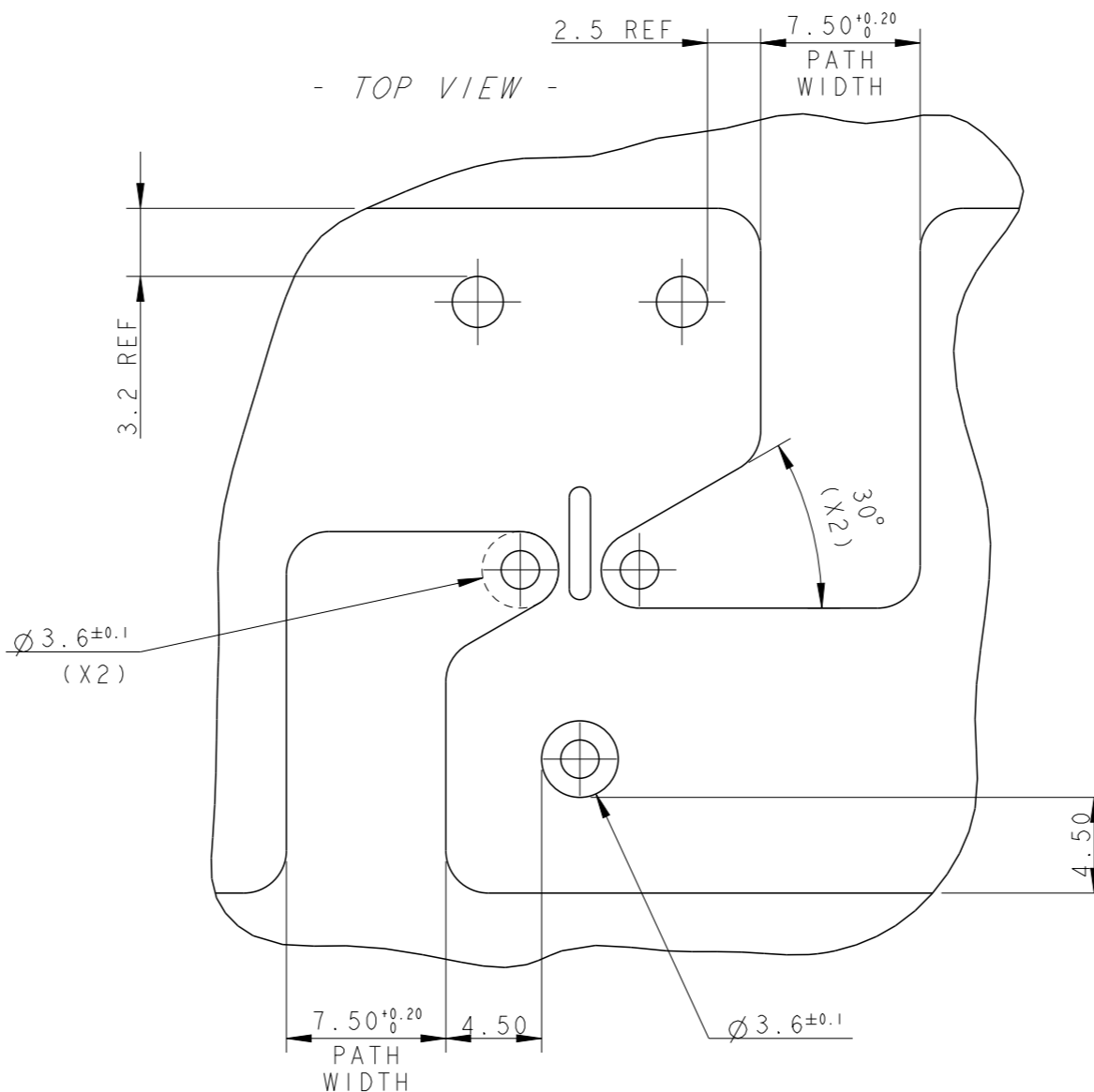
REVISIONS

SUGGESTED L, N AND PE TRACKS LAYOUT ON PCB

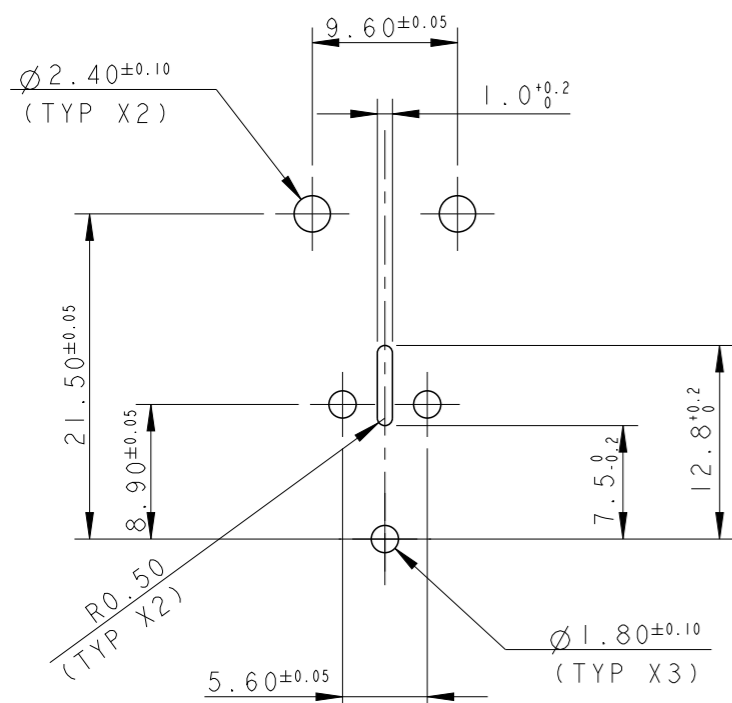


- TOP VIEW -

- BOTTOM VIEW -

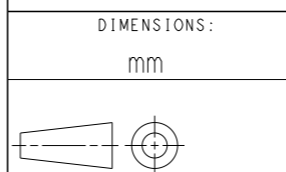


SUGGESTED PCB LAYOUT CUT-OUT



SCALE 2:1

THIS DRAWING IS A CONTROLLED DOCUMENT.



MATERIAL -

DIMENSIONS:		TOLERANCES UNLESS OTHERWISE SPECIFIED:	
mm			
0 PLC	±-	1 PLC	±0.3
2 PLC	±0.20	3 PLC	±-
4 PLC	±-	ANGLES	±3°
FINISH	-		

DWN	M. ZUCCA	30OCT2009
CHK	M. ZUCCA	30OCT2009
APVD	G. TURCO	30OCT2009
PRODUCT SPEC	108-20304	
APPLICATION SPEC	114-20152	
WEIGHT	-	

		TE Connectivity	
		NAME	
PIN CONNECTOR		RESTRICTED TO	
PCB STRAIGHT VERSION		-	
NECTOR* M-LINE		-	
SIZE	CAGE CODE	DRAWING NO	
A300779	C=293593		
Customer Drawing		SCALE	SHEET
		3:1	3 OF 3
			REV F