



Chipsmall Limited consists of a professional team with an average of over 10 year of expertise in the distribution of electronic components. Based in Hongkong, we have already established firm and mutual-benefit business relationships with customers from,Europe,America and south Asia,supplying obsolete and hard-to-find components to meet their specific needs.

With the principle of “Quality Parts,Customers Priority,Honest Operation,and Considerate Service”,our business mainly focus on the distribution of electronic components. Line cards we deal with include Microchip,ALPS,ROHM,Xilinx,Pulse,ON,Everlight and Freescale. Main products comprise IC,Modules,Potentiometer,IC Socket,Relay,Connector.Our parts cover such applications as commercial,industrial, and automotives areas.

We are looking forward to setting up business relationship with you and hope to provide you with the best service and solution. Let us make a better world for our industry!



Contact us

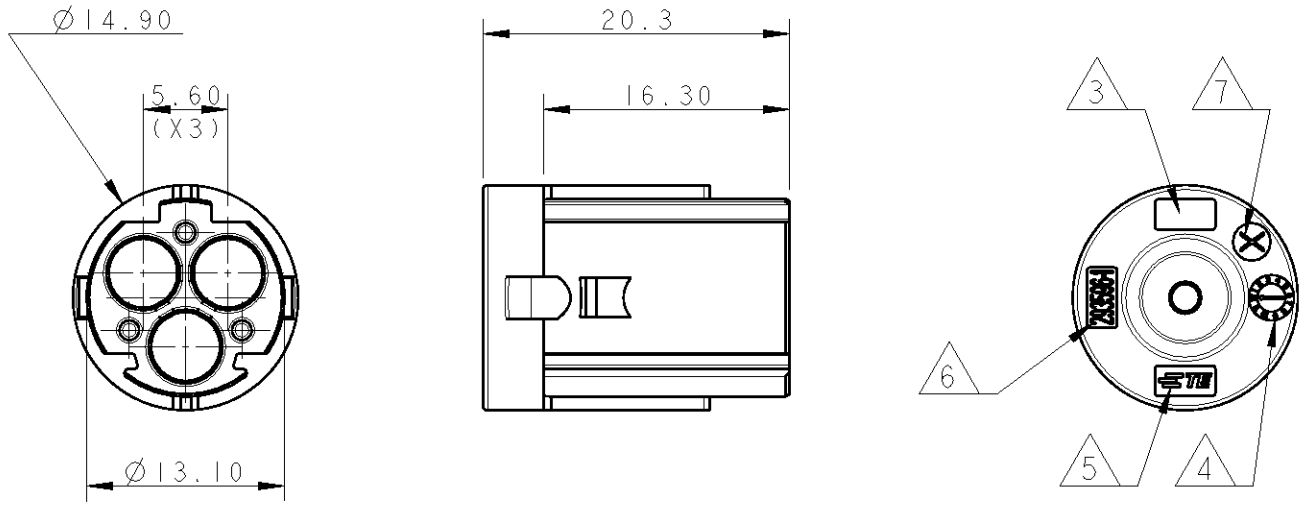
Tel: +86-755-8981 8866 Fax: +86-755-8427 6832

Email & Skype: info@chipsmall.com Web: www.chipsmall.com

Address: A1208, Overseas Decoration Building, #122 Zhenhua RD., Futian, Shenzhen, China



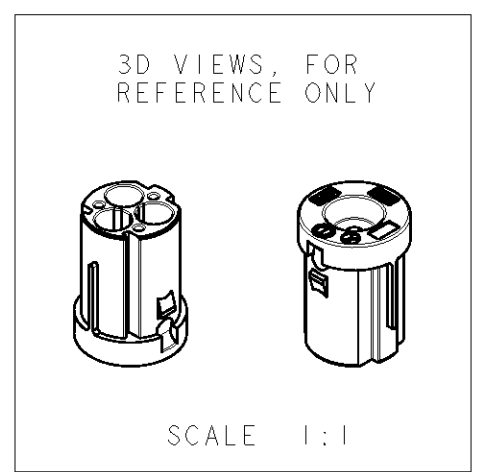
LOC	DIST	REVISIONS				
P	LTR	DESCRIPTION	DATE	DWN	APVD	
	B1	REVISED MARKINGS	06NOV2012	MZ	JC	



NOTES:

- 1) MATERIAL: POLYAMIDE GLASS FILLED
COLOUR GRAY
- 2) PACKAGING: SEE TE PACKAGING
SPECIFICATION 107-20294

- 3 AREA FOR AGENCY APPROVAL LOGO
- 4 DATE CODE
- 5 TE LOGO
- 6 TE PART NUMBER
- 7 TOOL CAVITY CODE



GRAY	SOCKET CAP NECTOR* M-LINE	B	293596-1
COLOUR	DESCRIPTION	REV.	PART NUMBER

2010
 RELEASED FOR PUBLICATION
 ALL RIGHTS RESERVED.
 BY -
 COPYRIGHT 2010
 THIS DRAWING IS UNPUBLISHED.

DIMENSIONS: mm	DWN M. ZUCCA	10DEC2009	MATERIAL	NOTE 1	FINISH	-
	CHK M. ZUCCA	10DEC2009	TE Connectivity			
TOLERANCES UNLESS OTHERWISE SPECIFIED:	APVD G. TURCO	10DEC2009				
	0 PLC ±-	PRODUCT SPEC	108-20304	SIZE	CAGE CODE	DRAWING NO
1 PLC ±0.3	APPLICATION SPEC	114-20152	A4	00779	G=293596	-
2 PLC ±0.20	WEIGHT	~2.5 g	Customer Drawing			
3 PLC ±-	SCALE 2:1 SHEET 1 OF 1 REV B1					
4 PLC ±-						
ANGLES ±3°						