



Chipsmall Limited consists of a professional team with an average of over 10 year of expertise in the distribution of electronic components. Based in Hongkong, we have already established firm and mutual-benefit business relationships with customers from,Europe,America and south Asia,supplying obsolete and hard-to-find components to meet their specific needs.

With the principle of “Quality Parts,Customers Priority,Honest Operation,and Considerate Service”,our business mainly focus on the distribution of electronic components. Line cards we deal with include Microchip,ALPS,ROHM,Xilinx,Pulse,ON,Everlight and Freescale. Main products comprise IC,Modules,Potentiometer,IC Socket,Relay,Connector.Our parts cover such applications as commercial,industrial, and automotives areas.

We are looking forward to setting up business relationship with you and hope to provide you with the best service and solution. Let us make a better world for our industry!



Contact us

Tel: +86-755-8981 8866 Fax: +86-755-8427 6832

Email & Skype: info@chipsmall.com Web: www.chipsmall.com

Address: A1208, Overseas Decoration Building, #122 Zhenhua RD., Futian, Shenzhen, China



THIS DRAWING IS UNPUBLISHED.

RELEASED FOR PUBLICATION

2011

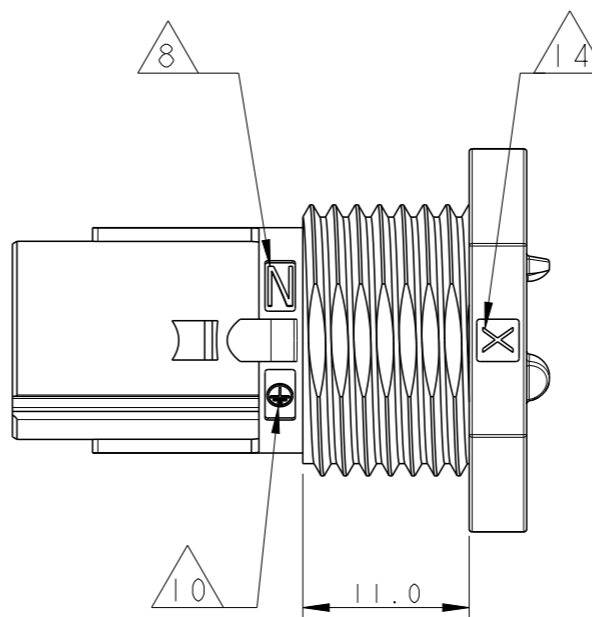
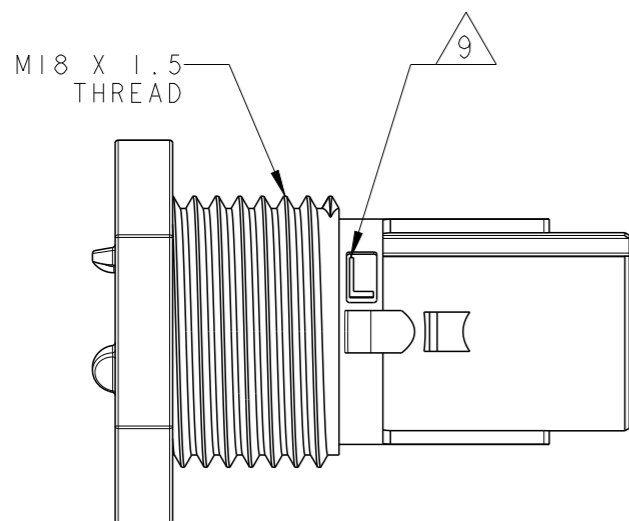
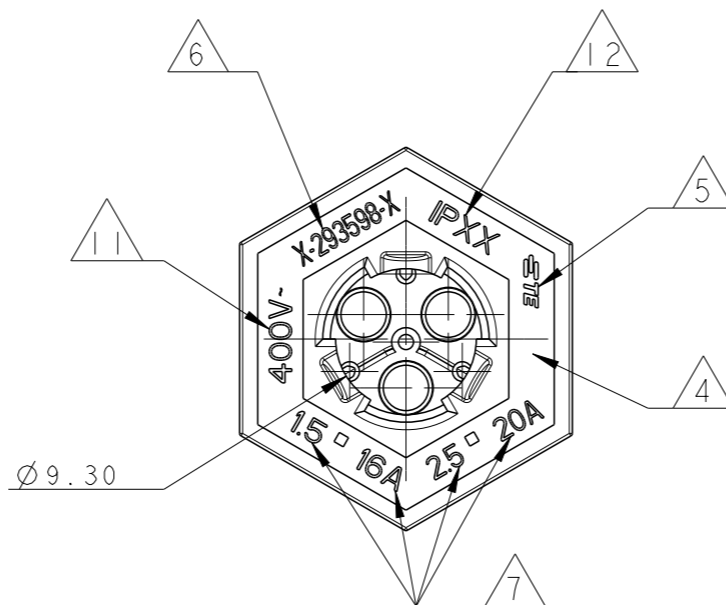
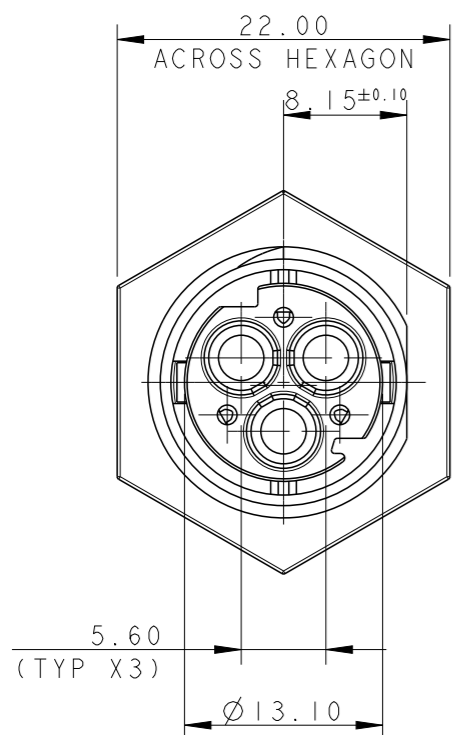
© COPYRIGHT 2011 BY -

ALL RIGHTS RESERVED.

LOC 1
DIST -

REVISIONS

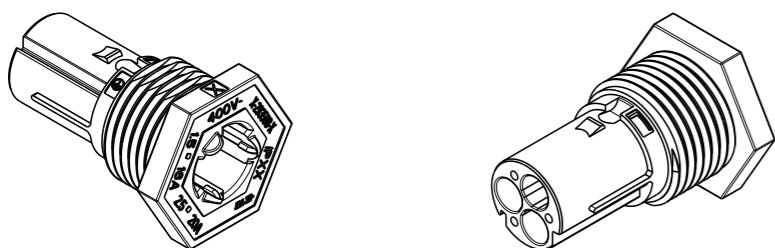
| P | LTR | DESCRIPTION | DATE | DWN | APVD |
|----|-----|--|-----------|-----|------|
| E | | PARTS -1 AND 1-1 RELEASED FOR PRODUCTION | 12SEP2011 | MZ | GT |
| E1 | | REVISED MARKINGS | 06NOV2012 | MZ | JC |
| F | | PARTS -2, -3, 1-2, 1-3 RELEASED FOR PRODUCTION | 26JUN2013 | KR | JC |



NOTES:

- 1 MATERIAL: POLYAMIDE GLASS FILLED COLOUR NATURAL
- 2 MATERIAL: POLYAMIDE GLASS FILLED COLOUR BLACK
- 3) PACKAGING: SEE TE PACKAGING SPECIFICATION 107-20294
- 4 AREA FOR AGENCY APPROVAL LOGO
- 5 TE LOGO
- 6 TE PART NUMBER
- 7 CONDUCTOR SIZE AND CURRENT RATING
- 8 N CODE
- 9 L CODE
- 10 PE CODE
- 11 RATED VOLTAGE
- 12 IP CODE
- 13 PART NOT YET TOOLED AND NOT RELEASED FOR PRODUCTION
- 14 CAVITY MOULD CODE

3D VIEWS, FOR REFERENCE ONLY



SCALE 1:1

THIS DRAWING IS A CONTROLLED DOCUMENT.

| | |
|-------------------|--|
| DIMENSIONS: mm | TOLERANCES UNLESS OTHERWISE SPECIFIED: |
| | 0 PLC ±- |
| | 1 PLC ±0.3 |
| | 2 PLC ±0.20 |
| | 3 PLC ±- |
| | 4 PLC ±- |
| | ANGLES ±3° |
| MATERIAL | FINISH - |

SEE NOTES

| | | |
|------------------|-----------|-----------|
| DWN | M. ZUCCA | 29OCT2009 |
| CHK | M. ZUCCA | 29OCT2009 |
| APVD | G. TURCO | 29OCT2009 |
| PRODUCT SPEC | 108-20304 | |
| APPLICATION SPEC | 114-20452 | |
| WEIGHT | ~6.2 g | |



PIN HOUSING
PANEL MOUNT VERSION
NECTOR* M-LINE

| | | | | |
|------|------|-----------|------------|---------------|
| NAME | SIZE | CAGE CODE | DRAWING NO | RESTRICTED TO |
| | A3 | 00779 | C-293598 | - |

| | | | |
|------------------|-----------|--------------|-------|
| Customer Drawing | SCALE 2:1 | SHEET 1 OF 4 | REV F |
|------------------|-----------|--------------|-------|

THIS DRAWING IS UNPUBLISHED.

RELEASED FOR PUBLICATION

2011

© COPYRIGHT 2011 BY -

ALL RIGHTS RESERVED.

| LOC | DIST | REVISIONS | | | | | |
|-----|------|-----------|-----|-------------|------|-----|------|
| | | P | LTR | DESCRIPTION | DATE | DWN | APVD |
| 1 | - | | - | SEE SHEET 1 | - | - | - |
| | | | | | | | |
| | | | | | | | |

PLARIZATION KEYS

| TYPE "A" | TYPE "B" | TYPE "C" |
|---|---|---|
| | | |
| P/Ns: 0-293598-1, 1-293598-1, 2-293598-1 | P/Ns: 0-293598-2, 1-293598-2, 2-293598-2 | P/Ns: 0-293598-3, 1-293598-3, 2-293598-3 |
| TYPE "D" | TYPE "E" | TYPE "F" |
| | | |
| P/Ns: 0-293598-4, 1-293598-4, 2-293598-4 | P/Ns: 0-293598-5, 1-293598-5, 2-293598-5 | P/Ns: 0-293598-6, 1-293598-6, 2-293598-6 |

| 13 | 67 | F | BLACK | 2 | PIN HSG PANEL MOUNT VERS. NECTOR* M-LINE | D | 2-293598-6 |
|------|----------------|-------------|---------|----------|--|------|-------------|
| 13 | 67 | E | BLACK | 2 | PIN HSG PANEL MOUNT VERS. NECTOR* M-LINE | D | 2-293598-5 |
| 13 | 67 | D | BLACK | 2 | PIN HSG PANEL MOUNT VERS. NECTOR* M-LINE | D | 2-293598-4 |
| 13 | 67 | C | BLACK | 2 | PIN HSG PANEL MOUNT VERS. NECTOR* M-LINE | D | 2-293598-3 |
| 13 | 67 | B | BLACK | 2 | PIN HSG PANEL MOUNT VERS. NECTOR* M-LINE | D | 2-293598-2 |
| 13 | 67 | A | BLACK | 2 | PIN HSG PANEL MOUNT VERS. NECTOR* M-LINE | D | 2-293598-1 |
| 13 | 40 | F | BLACK | 2 | PIN HSG PANEL MOUNT VERS. NECTOR* M-LINE | D | 1-293598-6 |
| 13 | 40 | E | BLACK | 2 | PIN HSG PANEL MOUNT VERS. NECTOR* M-LINE | D | 1-293598-5 |
| 13 | 40 | D | BLACK | 2 | PIN HSG PANEL MOUNT VERS. NECTOR* M-LINE | D | 1-293598-4 |
| | 40 | C | BLACK | 2 | PIN HSG PANEL MOUNT VERS. NECTOR* M-LINE | F | 1-293598-3 |
| | 40 | B | BLACK | 2 | PIN HSG PANEL MOUNT VERS. NECTOR* M-LINE | F | 1-293598-2 |
| | 40 | A | BLACK | 2 | PIN HSG PANEL MOUNT VERS. NECTOR* M-LINE | F | 1-293598-1 |
| 13 | 40 | F | NATURAL | 1 | PIN HSG PANEL MOUNT VERS. NECTOR* M-LINE | D | 0-293598-6 |
| 13 | 40 | E | NATURAL | 1 | PIN HSG PANEL MOUNT VERS. NECTOR* M-LINE | D | 0-293598-5 |
| 13 | 40 | D | NATURAL | 1 | PIN HSG PANEL MOUNT VERS. NECTOR* M-LINE | D | 0-293598-4 |
| | 40 | C | NATURAL | 1 | PIN HSG PANEL MOUNT VERS. NECTOR* M-LINE | F | 0-293598-3 |
| | 40 | B | NATURAL | 1 | PIN HSG PANEL MOUNT VERS. NECTOR* M-LINE | F | 0-293598-2 |
| | 40 | A | NATURAL | 1 | PIN HSG PANEL MOUNT VERS. NECTOR* M-LINE | F | 0-293598-1 |
| NOTE | IP DEGREE CODE | POL. KEYING | COLOUR | MATERIAL | DESCRIPTION | REV. | PART NUMBER |

THIS DRAWING IS A CONTROLLED DOCUMENT.

| | |
|-------------------|--|
| DIMENSIONS: mm | TOLERANCES UNLESS OTHERWISE SPECIFIED: |
| | 0 PLC ± 1 PLC ±0.3 2 PLC ±0.20 3 PLC ± 4 PLC ± ANGLES ±3° FINISH - |
| MATERIAL | SEE NOTES |

| | | |
|------------------|-----------|-----------|
| DWN | M. ZUCCA | 29OCT2009 |
| CHK | M. ZUCCA | 29OCT2009 |
| APVD | G. TURCO | 29OCT2009 |
| PRODUCT SPEC | 108-20304 | |
| APPLICATION SPEC | 114-20452 | |
| WEIGHT | ~6.2 g | |

STE TE Connectivity

NAME: PIN HOUSING PANEL MOUNT VERSION NECTOR* M-LINE

| | | | |
|------|-----------|------------|---------------|
| SIZE | CAGE CODE | DRAWING NO | RESTRICTED TO |
| A3 | 00779 | C-293598 | - |

Customer Drawing SCALE 2:1 SHEET 2 OF 4 REV F

THIS DRAWING IS UNPUBLISHED.

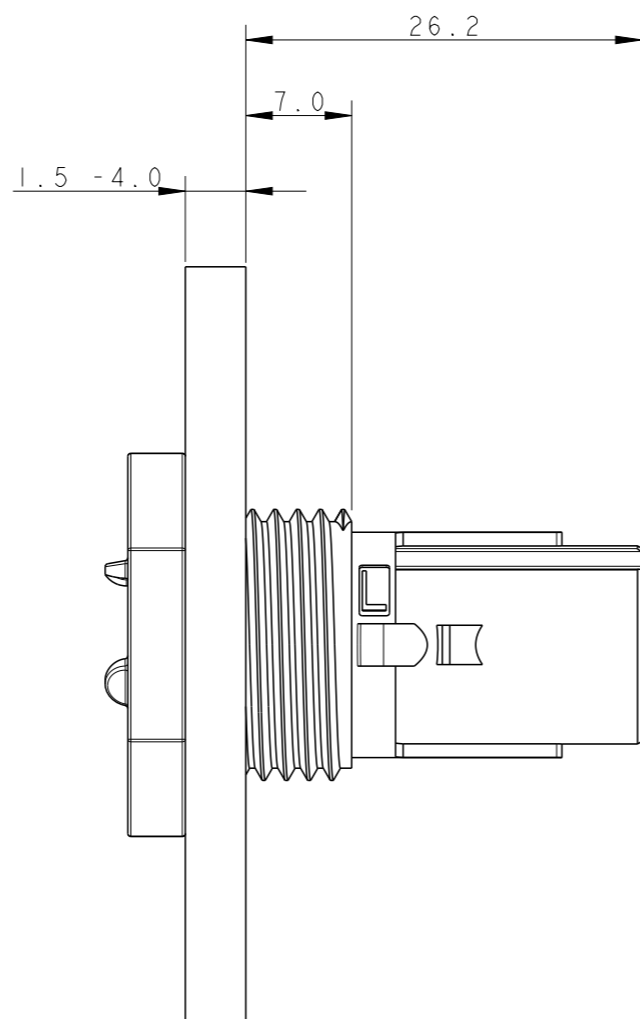
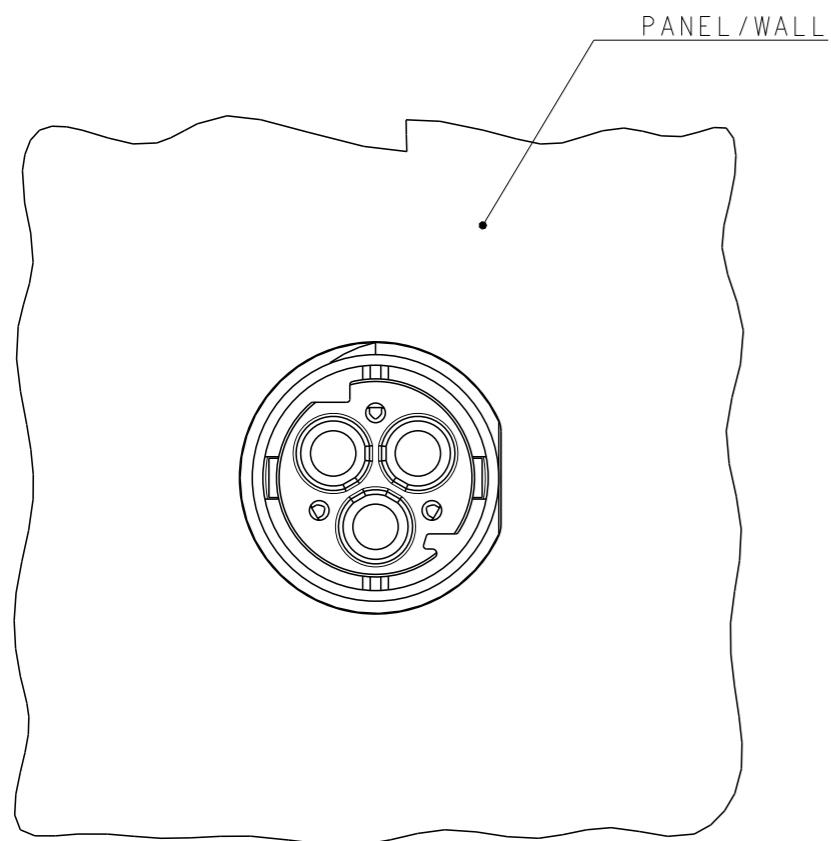
RELEASED FOR PUBLICATION

2011

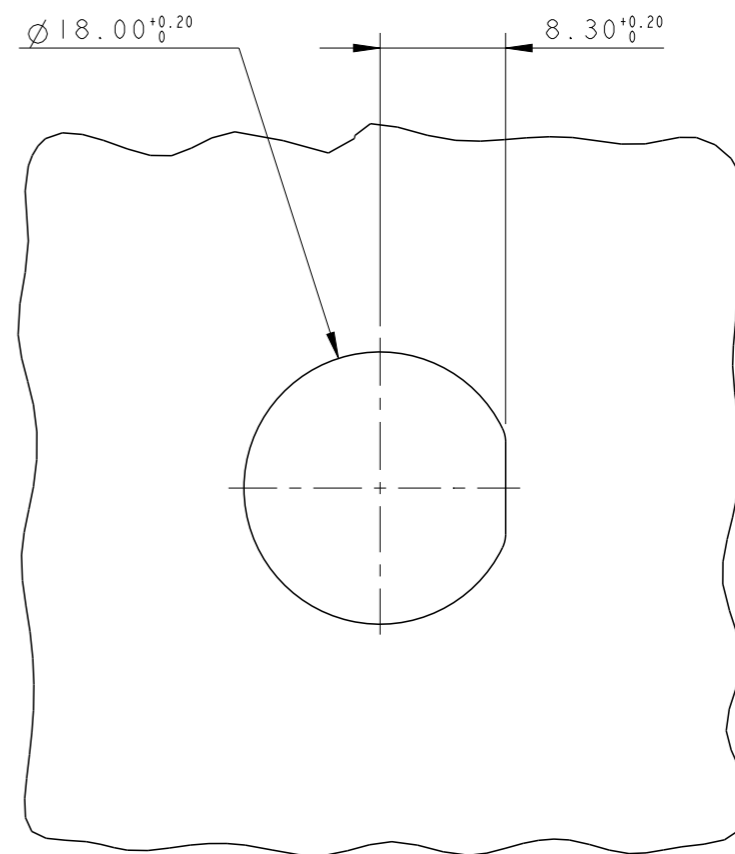
© COPYRIGHT 2011 BY -


ALL RIGHTS RESERVED.

| LOC | DIST | REVISIONS | | | | | |
|-----|------|-----------|-----|-------------|------|-----|------|
| | | P | LTR | DESCRIPTION | DATE | DWN | APVD |
| | - | | - | SEE SHEET 1 | - | - | - |
| | | | | | | | |
| | | | | | | | |



PANEL / WALL
SUGGESTED CUT OUT



| | | | | |
|--|--|-------------------------------|---|-----------------------|
| THIS DRAWING IS A CONTROLLED DOCUMENT. | | DWN M. ZUCCA 29OCT2009 |  TE Connectivity | |
| DIMENSIONS: mm | | CHK M. ZUCCA 29OCT2009 | | |
| TOLERANCES UNLESS OTHERWISE SPECIFIED: | | APVD G. TURCO 29OCT2009 | NAME PIN HOUSING PANEL MOUNT VERSION NECTOR* M-LINE | |
| 0 PLC ± 1 PLC ±0.3 2 PLC ±0.20 3 PLC ± 4 PLC ± ANGLES ±3° FINISH - | | PRODUCT SPEC 108-20304 | RESTRICTED TO | |
| MATERIAL SEE NOTES | | APPLICATION SPEC 114-20452 | SIZE A300779 | CAGE CODE C-293598 |
| | | WEIGHT ~6.2 g | DRAWING NO | |
| | | Customer Drawing | SCALE 2:1 | SHEET 3 OF 4 REV F |

THIS DRAWING IS UNPUBLISHED.

RELEASED FOR PUBLICATION

2011

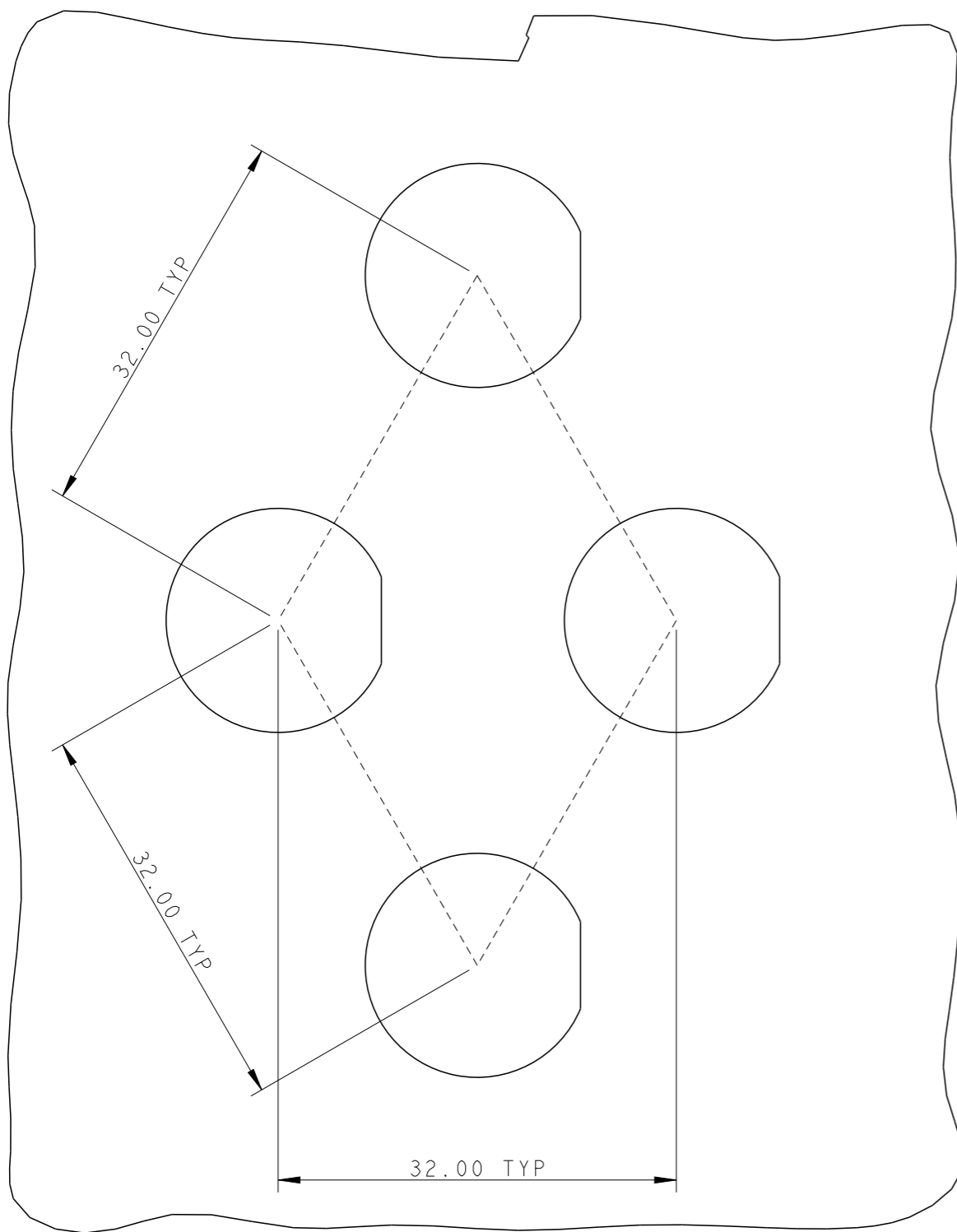
© COPYRIGHT 2011 BY -

ALL RIGHTS RESERVED.

| LOC | DIST | REVISIONS | | | | | |
|-----|------|-----------|-----|-------------|------|-----|------|
| | | P | LTR | DESCRIPTION | DATE | DWN | APVD |
| 1 | - | - | - | SEE SHEET 1 | - | - | - |
| | | | | | | | |
| | | | | | | | |

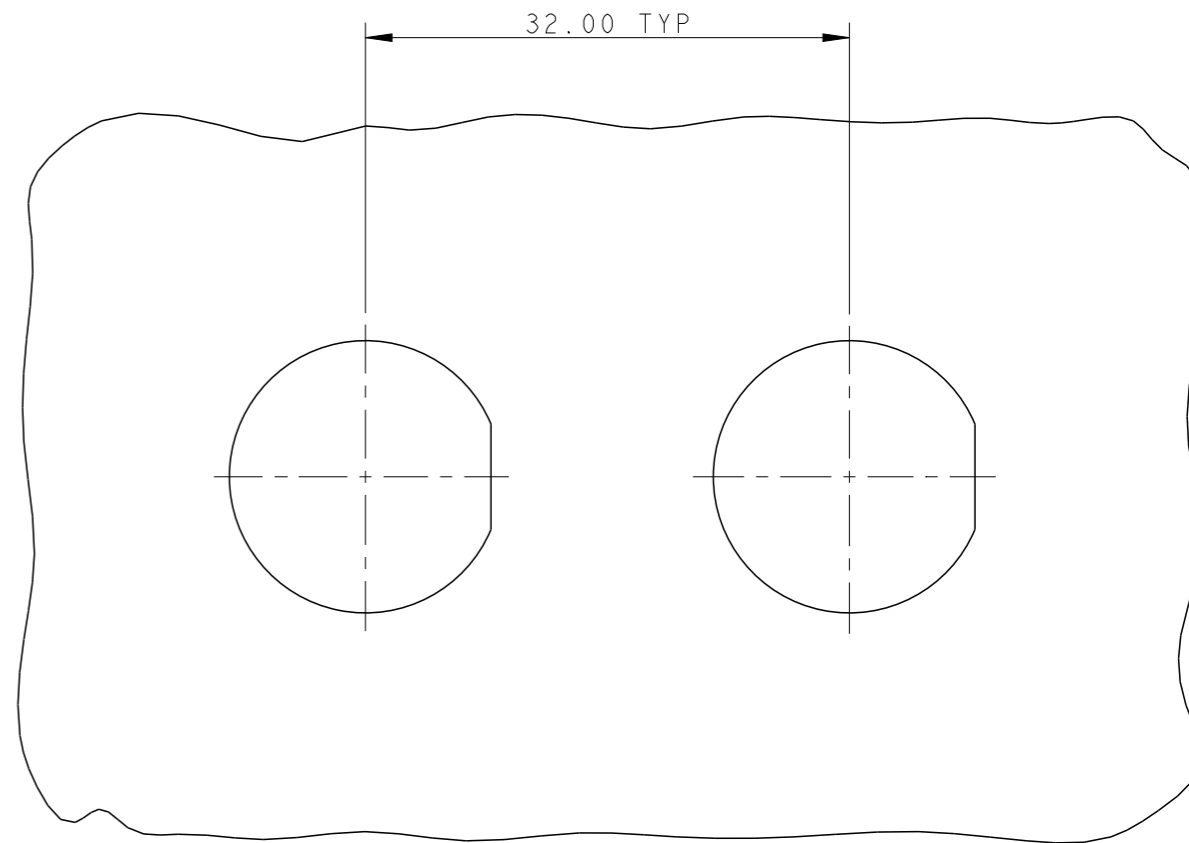
PANEL / WALL
SUGGESTED CUT OUT FOR
MULTIPLE HOLES ON MULTIPLE ROWS

(PITCH CAN BE ADJUSTED TO CUSTOMER
 NEED BUT IN ANY CASE MUST NOT BE LESS
 THAN 30.00 mm)



PANEL / WALL
SUGGESTED CUT OUT FOR
MULTIPLE HOLES ON SINGLE ROW

(PITCH CAN BE ADJUSTED TO CUSTOMER
 NEED BUT IN ANY CASE MUST NOT BE LESS
 THAN 30.00 mm)



THIS DRAWING IS A CONTROLLED DOCUMENT.

DWN M. ZUCCA 29OCT2009

CHK M. ZUCCA 29OCT2009

APVD G. TURCO 29OCT2009

PRODUCT SPEC

108-20304

APPLICATION SPEC

114-20452

WEIGHT ~6.2 g



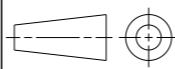
NAME
 PIN HOUSING
 PANEL MOUNT VERSION
 NECTOR* M-LINE

| | | | |
|------|-----------|------------|---------------|
| SIZE | CAGE CODE | DRAWING NO | RESTRICTED TO |
|------|-----------|------------|---------------|

| | | |
|---------|----------|---|
| A300779 | C=293598 | - |
|---------|----------|---|

DIMENSIONS:
mm

TOLERANCES UNLESS
OTHERWISE SPECIFIED:



- 0 PLC ±-
- 1 PLC ±0.3
- 2 PLC ±0.20
- 3 PLC ±-
- 4 PLC ±-
- ANGLES ±3°

MATERIAL SEE NOTES

FINISH -

| | | | |
|------------------|-----------|--------------|-------|
| Customer Drawing | SCALE 2:1 | SHEET 4 OF 4 | REV F |
|------------------|-----------|--------------|-------|