



Chipsmall Limited consists of a professional team with an average of over 10 year of expertise in the distribution of electronic components. Based in Hongkong, we have already established firm and mutual-benefit business relationships with customers from,Europe,America and south Asia,supplying obsolete and hard-to-find components to meet their specific needs.

With the principle of “Quality Parts,Customers Priority,Honest Operation,and Considerate Service”,our business mainly focus on the distribution of electronic components. Line cards we deal with include Microchip,ALPS,ROHM,Xilinx,Pulse,ON,Everlight and Freescale. Main products comprise IC,Modules,Potentiometer,IC Socket,Relay,Connector.Our parts cover such applications as commercial,industrial, and automotives areas.

We are looking forward to setting up business relationship with you and hope to provide you with the best service and solution. Let us make a better world for our industry!



Contact us

Tel: +86-755-8981 8866 Fax: +86-755-8427 6832

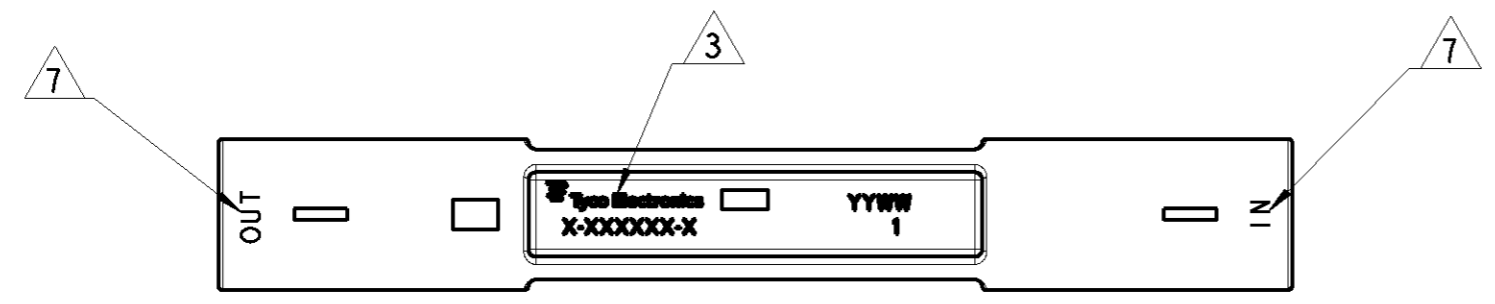
Email & Skype: info@chipsmall.com Web: www.chipsmall.com

Address: A1208, Overseas Decoration Building, #122 Zhenhua RD., Futian, Shenzhen, China

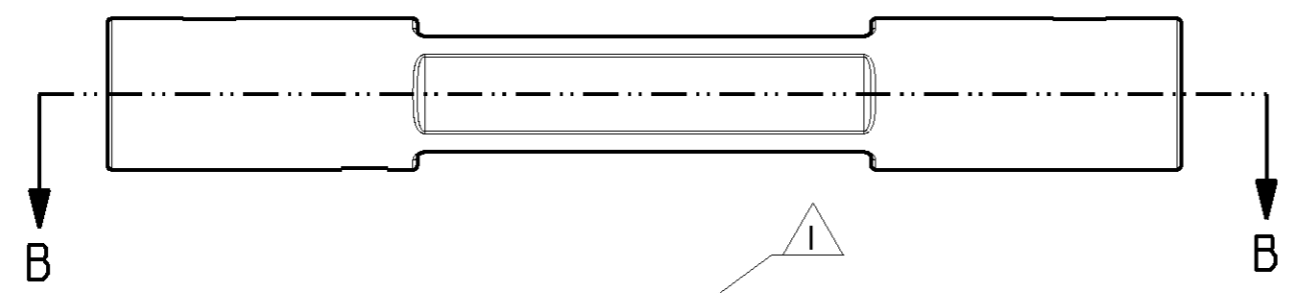
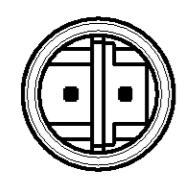


THIS DRAWING IS UNPUBLISHED. RELEASED FOR PUBLICATION 2005
 © COPYRIGHT 2005 BY TYCO ELECTRONICS CORPORATION. ALL RIGHTS RESERVED.

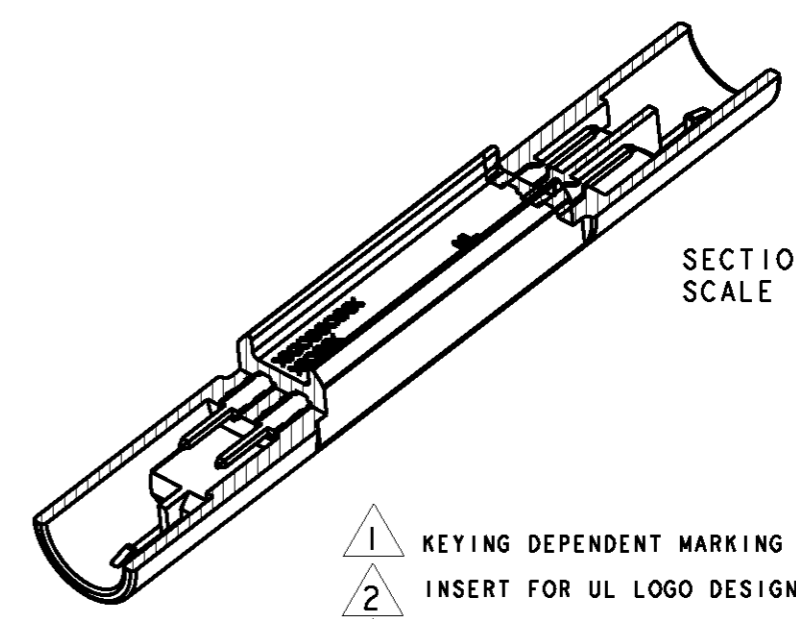
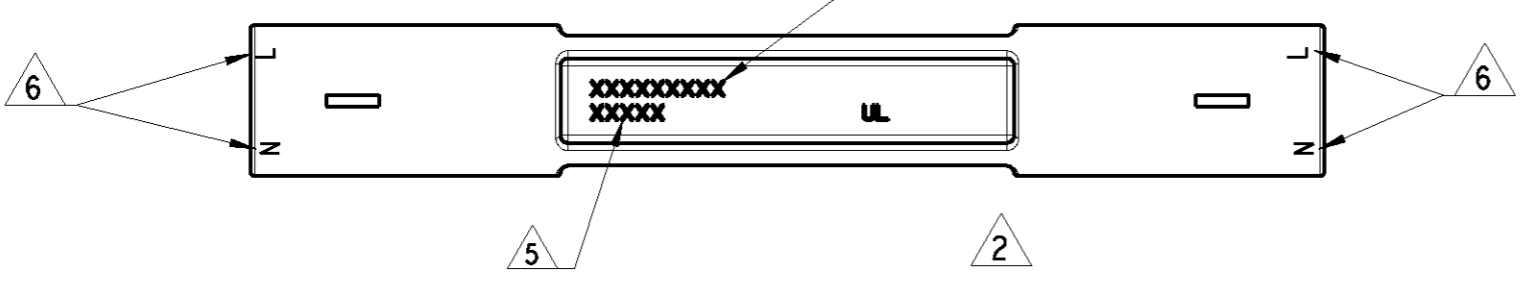
LOC	DIST	REVISIONS				
P	LTR	DESCRIPTION	DATE	DWN	APVD	
1		A	FIRST ISSUE	19FEB2010	AV	GT



KEYING HV-4

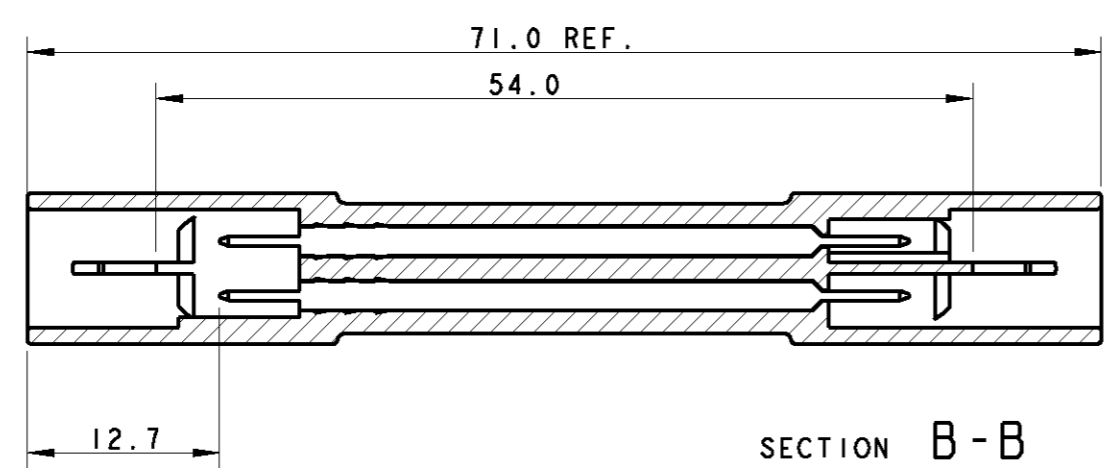


KEYING HV-5



SECTION A-A
SCALE 9:5

- 1 KEYING DEPENDENT MARKING (SEE TABLE)
- 2 INSERT FOR UL LOGO DESIGN BUT NOT EXECUTE
- 3 PART MARKING
-Tyco Electronics Product Identifier
Date Code
Part number
- 4 MATERIAL:
HOUSING PBT GFF15Z
CONTACT: BRASS TIN PLATED
- 5 RAW MATERIAL IDENTIFICATION
PBT GFF15
- 6 WAY IDENTIFICATION
- 7 INPUT-OUTPUT WAY DESCRIPTION
- 8 NOT YET RELEASED FOR PRODUCTION



SECTION B-B

8	HV4-HV5	HIGH-VOLT 125 Vac	6A 125V AC~	293647-1	A
NOTE	KEYING	REMARKS	MARKING 1	P/N	REV.

<small>THIS DRAWING IS A CONTROLLED DOCUMENT FOR TYCO ELECTRONICS CORPORATION IT IS SUBJECT TO CHANGE AND THE CONTROLLING ENGINEERING ORGANIZATION SHOULD BE CONTACTED FOR THE LATEST REVISION.</small>		DWN 19FEB2010 A. Vecchia CHK 19FEB2010 G. Turco APVD 19FEB2010 G. Turco		Tyco Electronics AMP Italia S.r.l. 10093 Collegno TO	
DIMENSIONS: mm		TOLERANCES UNLESS OTHERWISE SPECIFIED: 0 PLC ±0.3 1 PLC ± 2 PLC ± 3 PLC ± 4 PLC ± ANGLES ±		NAME OUTLET BRIDGE ASS'Y FOR USA MARKET	
MATERIAL 4		FINISH		PRODUCT SPEC APPLICATION SPEC WEIGHT SCALE 2:1 SHEET 1 OF 1 REV A	
CUSTOMER DRAWING				SIZE 3 CAGE CODE 00779 DRAWING NO C-293647 RESTRICTED TO	