



Chipsmall Limited consists of a professional team with an average of over 10 year of expertise in the distribution of electronic components. Based in Hongkong, we have already established firm and mutual-benefit business relationships with customers from,Europe,America and south Asia,supplying obsolete and hard-to-find components to meet their specific needs.

With the principle of “Quality Parts,Customers Priority,Honest Operation,and Considerate Service”,our business mainly focus on the distribution of electronic components. Line cards we deal with include Microchip,ALPS,ROHM,Xilinx,Pulse,ON,Everlight and Freescale. Main products comprise IC,Modules,Potentiometer,IC Socket,Relay,Connector.Our parts cover such applications as commercial,industrial, and automotives areas.

We are looking forward to setting up business relationship with you and hope to provide you with the best service and solution. Let us make a better world for our industry!



Contact us

Tel: +86-755-8981 8866 Fax: +86-755-8427 6832

Email & Skype: info@chipsmall.com Web: www.chipsmall.com

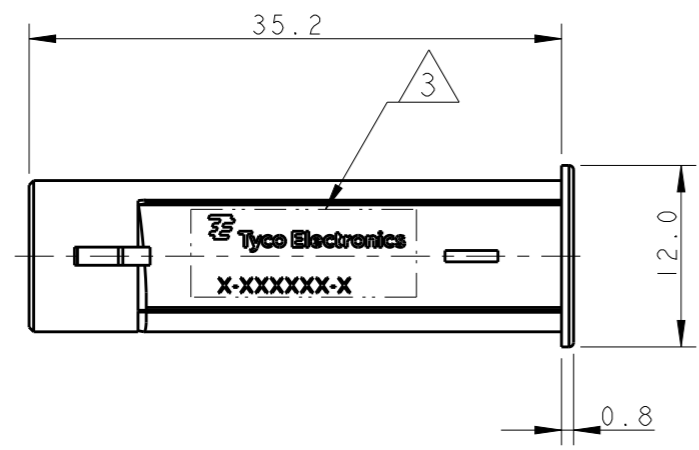
Address: A1208, Overseas Decoration Building, #122 Zhenhua RD., Futian, Shenzhen, China



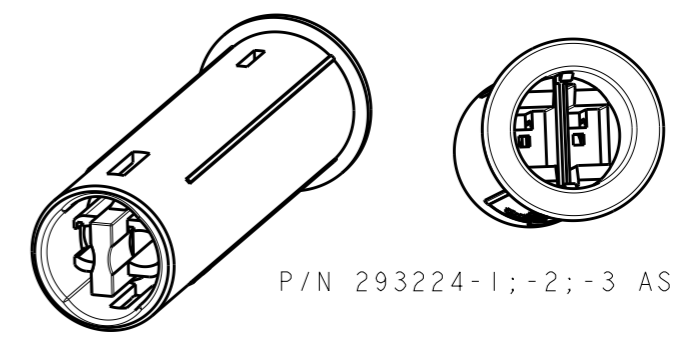
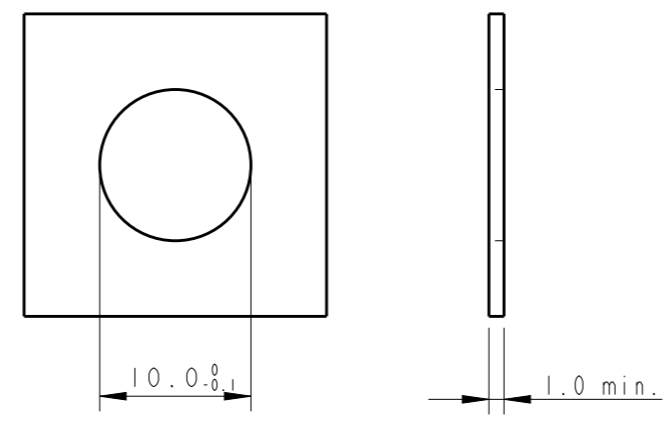
THIS DRAWING IS UNPUBLISHED. RELEASED FOR PUBLICATION 2005
© COPYRIGHT 2005 BY - ALL RIGHTS RESERVED.

REVISIONS

P	LTR	DESCRIPTION	DATE	DWN	APVD
A1		FIRST ISSUE	19FEB2010	AV	GT
A2		RELEASED FOR PRODUCTION	30JUN2010	AV	GT
B		REVISED PER ECR-16-005692	30MAY2016	RS	JL
C		REVISED PER ECR-16-017348	24FEB2017	RK	JL

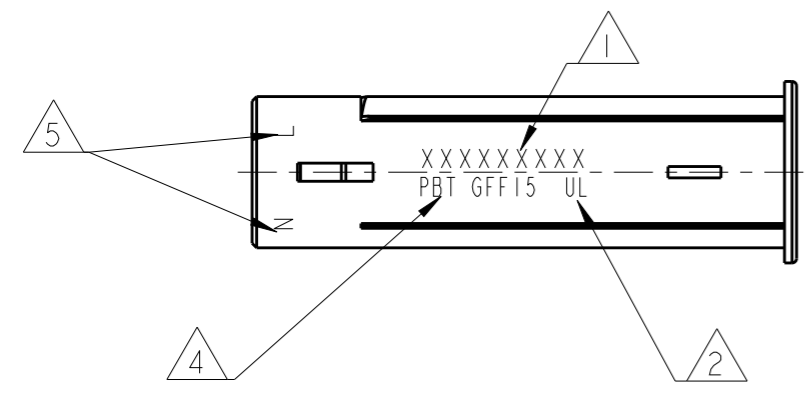
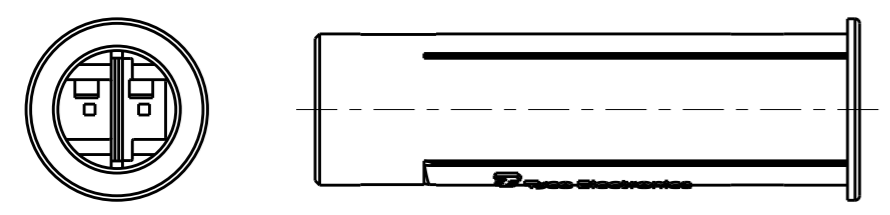


PANEL LAYOUT CONFIGURATION



P/N 293224-1;-2;-3 AS SHOWN

KEYING HV-4



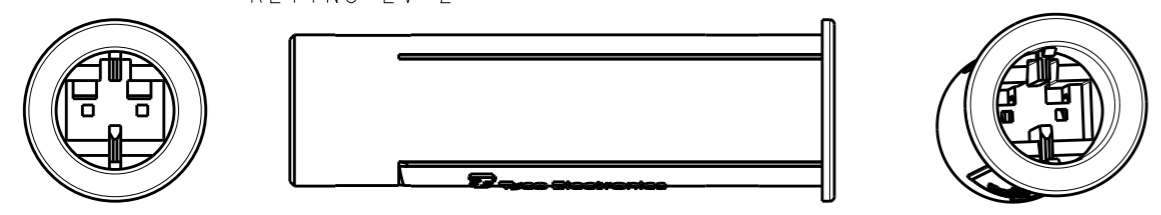
- 1 KEYING DEPENDENT MARKING (SEE TABLE)
- 2 INSERT FOR UL, LOGO DESIGN BUT NOT EXECUTE
- 3 PART MARKING
-Tyco Electronics Product Identifier
Date Code
Part number
- 4 RAW MATERIAL IDENTIFICATION PBT GF15%
- 5 WAY IDENTIFICATION
- 6 NOT YET RELEASED FOR PRODUCTION

THE PRESENTED PRODUCT / DESIGN WILL BE RELEASED FOR THE MANUFACTURING OF THE NECESSARY PRODUCTION TOOLS HEREBY. FURTHER CHANGES HAS TO BE PAID BY CUSTOMER.

DATE, SIGN OF THE CUSTOMER

6	LV-2	LOW-VOLT 125VAC/VDC	7A 125VAC/VDC=	A	WHITE	293648-2
6	HV-4	HIGH-VOLT 125 Vac	6A 125V AC~	A	WHITE	293648-1
NOTE	KEYING	REMARKS	MARKING	REV.	COLOR	P/N

P/N 293224-5;-6 AND 1-293224-6 AS SHOWN
KEYING LV-2



THIS DRAWING IS A CONTROLLED DOCUMENT.

DIMENSIONS: mm

TOLERANCES UNLESS OTHERWISE SPECIFIED:

0 PLC	±
1 PLC	±0.3
2 PLC	±
3 PLC	±
4 PLC	±
ANGLES	±

MATERIAL

FINISH

1

DWN A. Vecchia 19FEB2010

CHK G. Turco 19FEB2010

APVD G. Turco 19FEB2010

PRODUCT SPEC

APPLICATION SPEC

WEIGHT

CUSTOMER DRAWING

STE TE Connectivity

NAME HOUSING PANEL OUTLET FOR USA MARKET

SIZE	CAGE CODE	DRAWING NO	RESTRICTED TO
A3	00779	C-293648	-

SCALE 2:1 SHEET 1 OF 1 REV C