



Chipsmall Limited consists of a professional team with an average of over 10 year of expertise in the distribution of electronic components. Based in Hongkong, we have already established firm and mutual-benefit business relationships with customers from,Europe,America and south Asia,supplying obsolete and hard-to-find components to meet their specific needs.

With the principle of “Quality Parts,Customers Priority,Honest Operation,and Considerate Service”,our business mainly focus on the distribution of electronic components. Line cards we deal with include Microchip,ALPS,ROHM,Xilinx,Pulse,ON,Everlight and Freescale. Main products comprise IC,Modules,Potentiometer,IC Socket,Relay,Connector.Our parts cover such applications as commercial,industrial, and automotives areas.

We are looking forward to setting up business relationship with you and hope to provide you with the best service and solution. Let us make a better world for our industry!



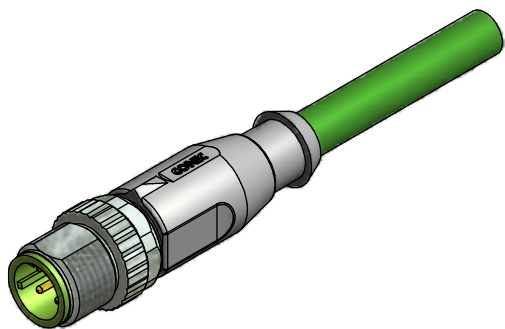
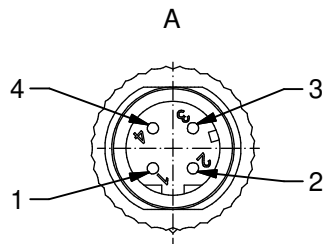
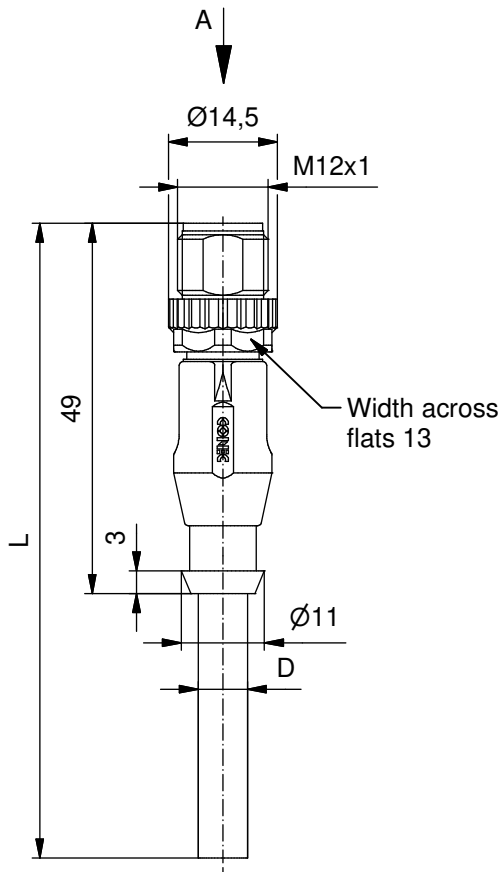
## Contact us

Tel: +86-755-8981 8866 Fax: +86-755-8427 6832

Email & Skype: info@chipsmall.com Web: www.chipsmall.com

Address: A1208, Overseas Decoration Building, #122 Zhenhua RD., Futian, Shenzhen, China





**Technical specification:**

Rated voltage: IEC 61076-2-101	4pos 160 V
Current rating: IEC 61076-2-101	4 A at 40°C
Insulation resistance: IEC 60512	>=100 MΩ
Pollution degree: IEC 60664-1	3/2
Degree of protection: IEC 60529	IP 67, in mated condition
Temperatur range: IEC 60664-1	-30°C ... +70°C
Mating cycles: IEC 60512-9a	>=100

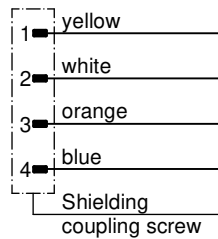
**Materials:**

Contact:	CuZn
Contact plating:	Nickel, gold plated
Contact carrier:	PBT GF, UL 94
Coupling screw:	GD-Zn, nickel plated
Moulding body:	TPU, UL 94, grey

**Installation specification:**

Recommended torque:	0,6 Nm
Conec installation tool:	Torque wrench: 36-000200 Insert across flats 13: 36-000220

**Contact assignment:**



Part no:	Description:	Length L:	Cable:
43-10944	SAL - 12D - RS4.2 - 2 / G6	2m	TPU, UL, green, 4xAWG22 Cable: 781-G63400
43-10945	SAL - 12D - RS4.2 - 3 / G6	3m	
43-10946	SAL - 12D - RS4.2 - 5 / G6	5m	
43-10947	SAL - 12D - RS4.2 - 10 / G6	10m	
43-xxxxx	SAL - 12D - RS4.2 - ... / G6	x	

D see data sheet cable

DO NOT ALTER CAD DRAWING BY HAND Directive 2002/95/EC RoHS compliant	Index: b 08.03.11 VF Ä3767 Coupling screw modified, spanner flats added, data sheet modified	dim. in mm <table border="1"> <tr> <td></td> <td>date</td> <td>name</td> </tr> <tr> <td>drawn</td> <td>16.03.07</td> <td>Mankopf</td> </tr> <tr> <td>appd.</td> <td>16.03.07</td> <td>Fromm</td> </tr> </table>		date	name	drawn	16.03.07	Mankopf	appd.	16.03.07	Fromm	title: <b>Male connector M12x1 axial, Ethernet 100 MHz</b>	
			date	name									
	drawn	16.03.07	Mankopf										
	appd.	16.03.07	Fromm										
tolerance of cable: L ≤ 4m: L + 40mm L > 4m: L + 1%		dwg no: <b>43K1A243</b>											
THIS DRAWING MAY NOT BE COPIED OR REPRODUCED IN ANY WAY, AND MAY NOT BE PASSED ON TO A THIRD PARTY WITHOUT WRITTEN PERMISSION. OWNERSHIP AND COPYRIGHT OF CONEC GmbH		part no: see table											