



Chipsmall Limited consists of a professional team with an average of over 10 year of expertise in the distribution of electronic components. Based in Hongkong, we have already established firm and mutual-benefit business relationships with customers from,Europe,America and south Asia,supplying obsolete and hard-to-find components to meet their specific needs.

With the principle of "Quality Parts,Customers Priority,Honest Operation,and Considerate Service",our business mainly focus on the distribution of electronic components. Line cards we deal with include Microchip,ALPS,ROHM,Xilinx,Pulse,ON,Everlight and Freescale. Main products comprise IC,Modules,Potentiometer,IC Socket,Relay,Connector.Our parts cover such applications as commercial,industrial, and automotives areas.

We are looking forward to setting up business relationship with you and hope to provide you with the best service and solution. Let us make a better world for our industry!



Contact us

Tel: +86-755-8981 8866 Fax: +86-755-8427 6832

Email & Skype: info@chipsmall.com Web: www.chipsmall.com

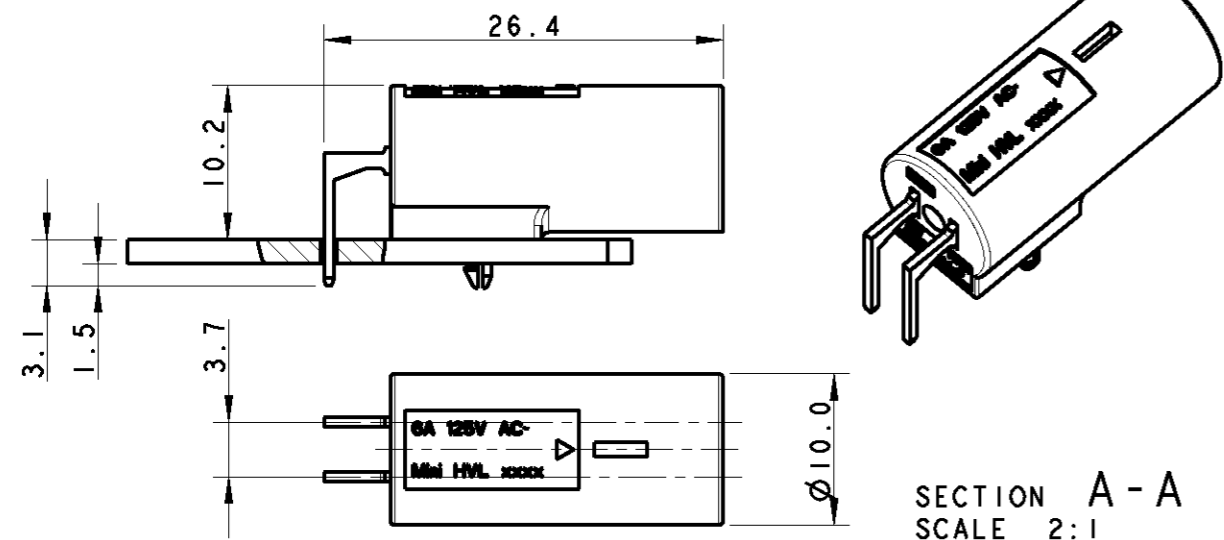
Address: A1208, Overseas Decoration Building, #122 Zhenhua RD., Futian, Shenzhen, China



THIS DRAWING IS UNPUBLISHED. RELEASED FOR PUBLICATION 20
 © COPYRIGHT 20 BY TYCO ELECTRONICS CORPORATION. ALL RIGHTS RESERVED.

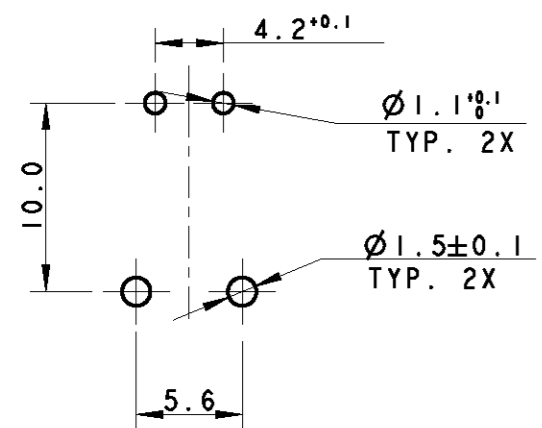
LOC	DIST	REVISIONS			
P	LTR	DESCRIPTION	DATE	DWN	APVD
AL	2	A	FIRST ISSUE	16FEB2010	AV GT
		AI	REVISED PCB HOLES LAYOUT	04APR2011	AV GT

TYPICAL APPLICATION



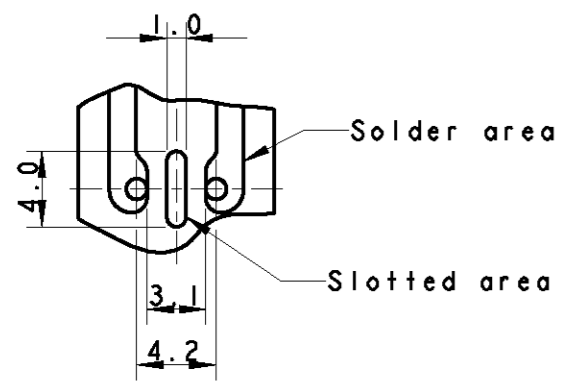
PRINTED CIRCUIT BOARD LAYOUT FOR LOW VOLTAGE VERSION

TOLERANCES UNLESS OTHERWISE SPECIFIED ± 0.05
 PRINTED CIRCUIT BOARD THICKNESS: 1.6 mm NOMINAL



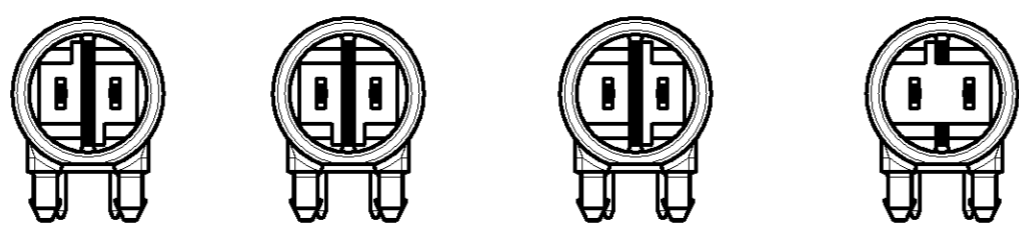
PRINTED CIRCUIT BOARD LAYOUT FOR HIGH VOLTAGE VERSION

TOLERANCES UNLESS OTHERWISE SPECIFIED ± 0.05
 PRINTED CIRCUIT BOARD THICKNESS: 1.6 mm NOMINAL



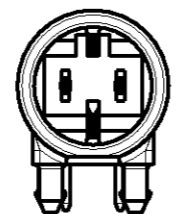
HIGH VOLTAGE

- P/N 293652-1 KEYING HV-2
- P/N 293652-2 KEYING HV-3
- P/N 293652-3 KEYING HV-4
- P/N 293652-4 KEYING HV-5



LOW VOLTAGE

- P/N 293652-5 KEYING LV-2



NOTE:

- 1) TIN PLATED CONTACTS
- 2) MATERIAL HOUSING PBT, 15%GFF, UL 94 V0
- 3) NOT YET RELEASED FOR PRODUCTION

NOTE	KEYING	REMARKS	PART NUMBER	COLOR
3	LV-2	LOW-VOLT 7A 42 V DC	293652-5	WHITE
3	HV-5	HIGH-VOLT 6A 125 V AC	293652-4	WHITE
3	HV-4	HIGH-VOLT 6A 125 V AC	293652-3	WHITE
3	HV-3	HIGH-VOLT 6A 125 V AC	293652-2	WHITE
3	HV-2	SWITCH-KEYING	293652-1	WHITE

THIS DRAWING IS A CONTROLLED DOCUMENT FOR TYCO ELECTRONICS CORPORATION. IT IS SUBJECT TO CHANGE AND THE CONTROLLING ENGINEERING ORGANIZATION SHOULD BE CONTACTED FOR THE LATEST REVISION.

DWN: 20JUN2007 R. FRABONI
 CHK: 11FEB2008 J. SALO
 APVD: 11FEB2008 L. BATLLO

PRODUCT SPEC: -
 APPLICATION SPEC: -
 WEIGHT: -

Tyco Electronics Tyco Electronics AMP Italia s.r.l.
 10093 Collegno TO

NAME: 7.5 mm PCB CONNECTOR ASSEMBLY 90 DEGREE MALE VERSION

SIZE: A3 CAGE CODE: 00779 DRAWING NO: C-293652 RESTRICTED TO: -

CUSTOMER DRAWING SCALE: 2:1 SHEET: 1 OF 1 REV: AI