



Chipsmall Limited consists of a professional team with an average of over 10 year of expertise in the distribution of electronic components. Based in Hongkong, we have already established firm and mutual-benefit business relationships with customers from,Europe,America and south Asia,supplying obsolete and hard-to-find components to meet their specific needs.

With the principle of “Quality Parts,Customers Priority,Honest Operation,and Considerate Service”,our business mainly focus on the distribution of electronic components. Line cards we deal with include Microchip,ALPS,ROHM,Xilinx,Pulse,ON,Everlight and Freescale. Main products comprise IC,Modules,Potentiometer,IC Socket,Relay,Connector.Our parts cover such applications as commercial,industrial, and automotives areas.

We are looking forward to setting up business relationship with you and hope to provide you with the best service and solution. Let us make a better world for our industry!



## Contact us

Tel: +86-755-8981 8866 Fax: +86-755-8427 6832

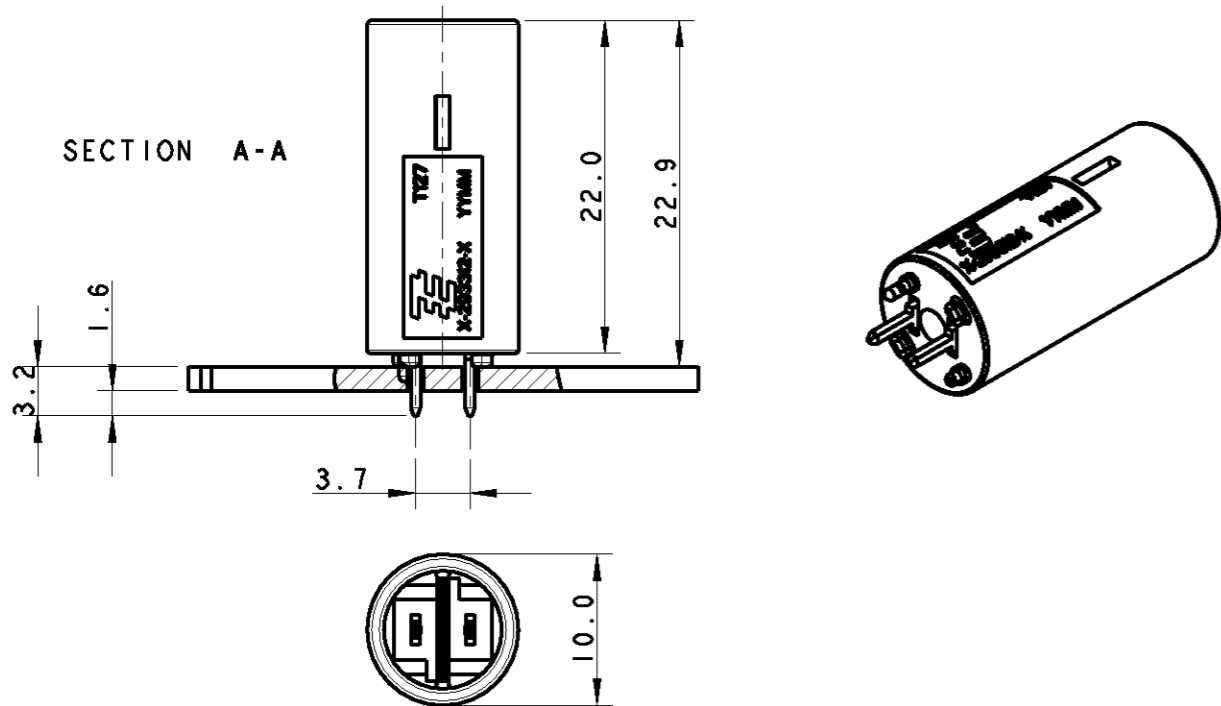
Email & Skype: info@chipsmall.com Web: www.chipsmall.com

Address: A1208, Overseas Decoration Building, #122 Zhenhua RD., Futian, Shenzhen, China



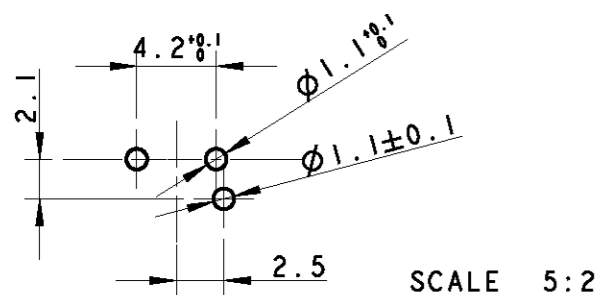
LOC	DIST	REVISIONS					
		P	LTR	DESCRIPTION	DATE	DWN	APVD
1	2		A	FIRST ISSUE	17FEB2010	AV	GT
			AI	REVISED MARKS ON -5 WAS MARKED AC	04OCT2011	AV	GT

### TYPICAL APPLICATION



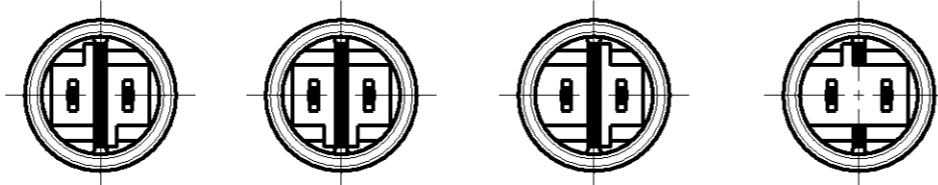
### PRINTED CIRCUIT BOARD LAYOUT FOR LOW VOLTAGE VERSION

TOLERANCES UNLESS OTHERWISE SPECIFIED ± 0.05  
PRINTED CIRCUIT BOARD THICKNESS: 1.6 mm NOMINAL



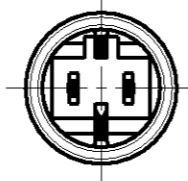
### HIGH VOLTAGE

KEYING HV-2    KEYING HV-3    KEYING HV-4    KEYING HV-5



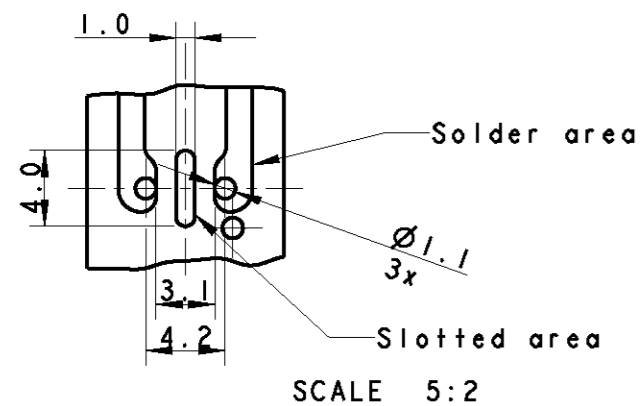
### LOW VOLTAGE

KEYING LV-2



### PRINTED CIRCUIT BOARD LAYOUT FOR LOW VOLTAGE VERSION

TOLERANCES UNLESS OTHERWISE SPECIFIED ± 0.05  
PRINTED CIRCUIT BOARD THICKNESS: 1.6 mm NOMINAL



KEYING	REMARKS	PART NUMBER	CTC. FINISH SURFACE	COLOR
LV-2	LOW-VOLT 42 V DC	293653-5	TIN	WHITE
HV-5	HIGH-VOLT 6A 125 V AC	293653-4	TIN	WHITE
HV-4	HIGH-VOLT 6A 125 V AC	293653-3	TIN	WHITE
HV-3	HIGH-VOLT 6A 125 V AC	293653-2	TIN	WHITE
HV-2	SWITCH-KEYING	293653-1	TIN	WHITE

THIS DRAWING IS A CONTROLLED DOCUMENT FOR TYCO ELECTRONICS CORPORATION. IT IS SUBJECT TO CHANGE AND THE CONTROLLING ENGINEERING ORGANIZATION SHOULD BE CONTACTED FOR THE LATEST REVISION.

DWN	A. Vecchia	17FEB2010	Tyco Electronics AMP Italia S.r.l. 10093 Collegno TO
CHK	G. Turco	17FEB2010	
APVD	G. Turco	17FEB2010	
PRODUCT SPEC	-		
APPLICATION SPEC	-		NAME
-			7.5 mm PCB CONNECTOR ASSEMBLY STRAIGHT MALE VERSION FOR USA MARKET
MATERIAL	-	FINISH	-
-			SIZE
-			A300779
-			CAGE CODE
-			C-293653
-			DRAWING NO
-			RESTRICTED TO
-			-
-			SCALE
-			2:1
-			SHEET
-			1
-			OF
-			1
-			REV
-			AI

CUSTOMER DRAWING