



Chipsmall Limited consists of a professional team with an average of over 10 year of expertise in the distribution of electronic components. Based in Hongkong, we have already established firm and mutual-benefit business relationships with customers from,Europe,America and south Asia,supplying obsolete and hard-to-find components to meet their specific needs.

With the principle of "Quality Parts,Customers Priority,Honest Operation,and Considerate Service",our business mainly focus on the distribution of electronic components. Line cards we deal with include Microchip,ALPS,ROHM,Xilinx,Pulse,ON,Everlight and Freescale. Main products comprise IC,Modules,Potentiometer,IC Socket,Relay,Connector.Our parts cover such applications as commercial,industrial, and automotives areas.

We are looking forward to setting up business relationship with you and hope to provide you with the best service and solution. Let us make a better world for our industry!



Contact us

Tel: +86-755-8981 8866 Fax: +86-755-8427 6832

Email & Skype: info@chipsmall.com Web: www.chipsmall.com

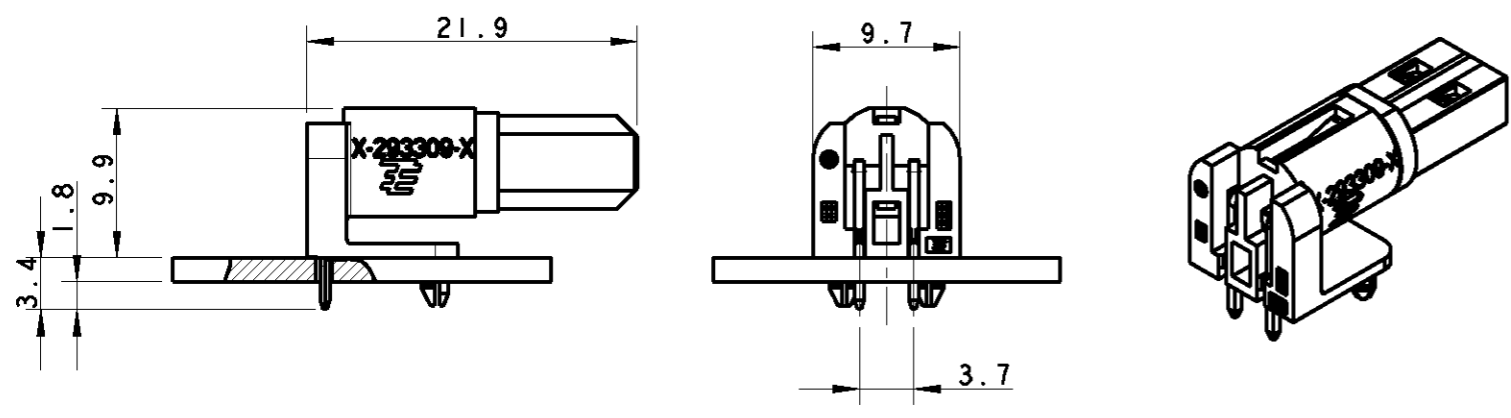
Address: A1208, Overseas Decoration Building, #122 Zhenhua RD., Futian, Shenzhen, China



THIS DRAWING IS UNPUBLISHED. RELEASED FOR PUBLICATION 20
 © COPYRIGHT 20 BY TYCO ELECTRONICS CORPORATION. ALL RIGHTS RESERVED.

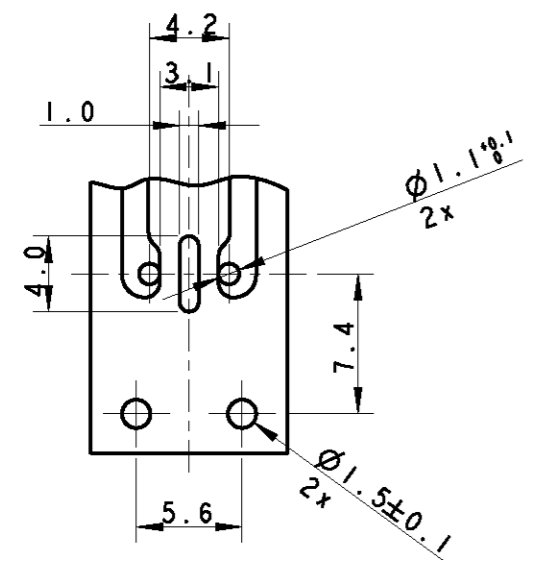
LOC	DIST	REVISIONS					
		P	LTR	DESCRIPTION	DATE	DWN	APVD
1	2		A	FIRST ISSUE	18FEB2010	AV	GT
			AI	REVISED PCB HOLES LAYOUT	04APR2011	AV	GT

TYPICAL APPLICATION

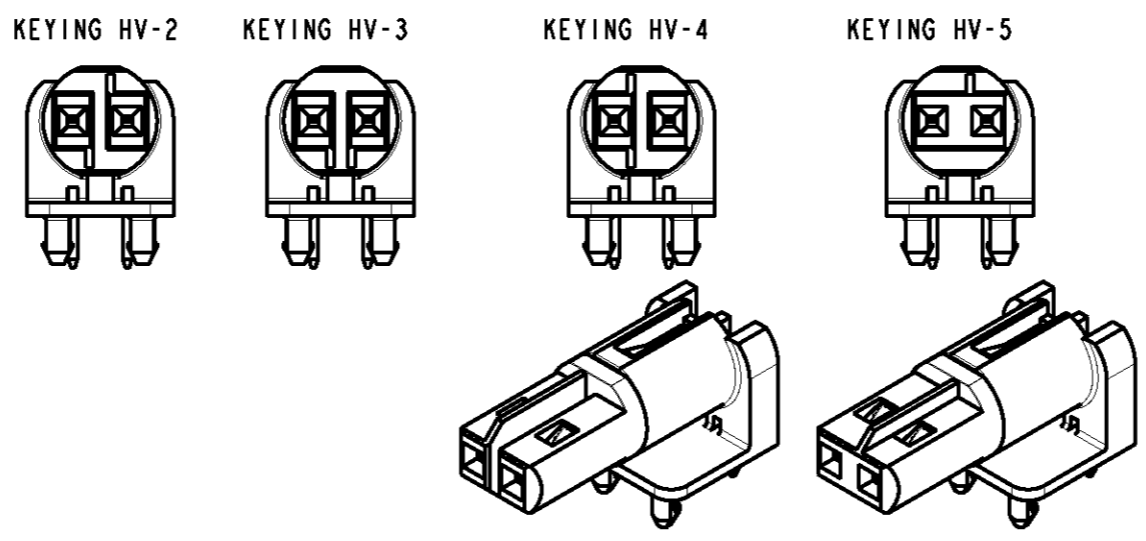


PRINTED CIRCUIT BOARD LAYOUT

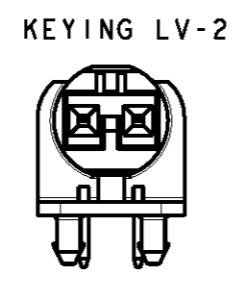
TOLERANCES UNLESS OTHERWISE SPECIFIED ± 0.05
 PRINTED CIRCUIT BOARD THICKNESS: 1.6 mm NOMINAL



HIGH VOLTAGE



LOW VOLTAGE



MATERIALS:

- 1) CONTACTS: SOLDERING SIDE TIN PLATED Ph. BRONZE RECEPTACLE IN SPECIAL ALLOY COPPER TIN PLATED
- HOUSING: PBT 15%GFF UL 94 V0 WHITE COLOR
- 2 TO BE USED FOR SWITCH APPLICATION ONLY
- 3 NOT YET RELEASED FOR PRODUCTION

NOTE	KEYING	REMARKS	PART NUMBER	REV.
3	LV-2	LOW-VOLT 42 V DC	293654-5	A
3	HV-5	HIGH-VOLT 125 V AC	293654-4	A
3	HV-4	HIGH-VOLT 125 V AC	293654-3	A
3	HV-3	HIGH-VOLT 125 V AC	293654-2	A
2 3	HV-2	HIGH-VOLT 125 V AC	293654-1	A

THIS DRAWING IS A CONTROLLED DOCUMENT FOR TYCO ELECTRONICS CORPORATION IT IS SUBJECT TO CHANGE AND THE CONTROLLING ENGINEERING ORGANIZATION SHOULD BE CONTACTED FOR THE LATEST REVISION.

DIMENSIONS:	TOLERANCES UNLESS OTHERWISE SPECIFIED:	DWN	18FEB2010	Tyco Electronics AMP Italia S.r.l. 10093 Collegno TO
mm	0 PLC ±	CHK	A. Vecchia 18FEB2010	
	1 PLC ±0.5	APVD	G. Turco 18FEB2010	
	2 PLC ±0.3	PRODUCT SPEC	G. TURCO 18FEB2010	
	3 PLC ±	APPLICATION SPEC	-	NAME
	4 PLC ±	WEIGHT	-	7.5 mm PCB CONNECTOR ASSEMBLY
	ANGLES ±0.5°	CUSTOMER DRAWING	-	90 DEGREE FEMALE VERSION
MATERIAL	FINISH	SCALE	2:1	FOR USA MARKET
-	-	SHEET	1	RESTRICTED TO
		OF	1	-
		REV	AI	