



Chipsmall Limited consists of a professional team with an average of over 10 year of expertise in the distribution of electronic components. Based in Hongkong, we have already established firm and mutual-benefit business relationships with customers from,Europe,America and south Asia,supplying obsolete and hard-to-find components to meet their specific needs.

With the principle of “Quality Parts,Customers Priority,Honest Operation,and Considerate Service”,our business mainly focus on the distribution of electronic components. Line cards we deal with include Microchip,ALPS,ROHM,Xilinx,Pulse,ON,Everlight and Freescale. Main products comprise IC,Modules,Potentiometer,IC Socket,Relay,Connector.Our parts cover such applications as commercial,industrial, and automotives areas.

We are looking forward to setting up business relationship with you and hope to provide you with the best service and solution. Let us make a better world for our industry!



Contact us

Tel: +86-755-8981 8866 Fax: +86-755-8427 6832

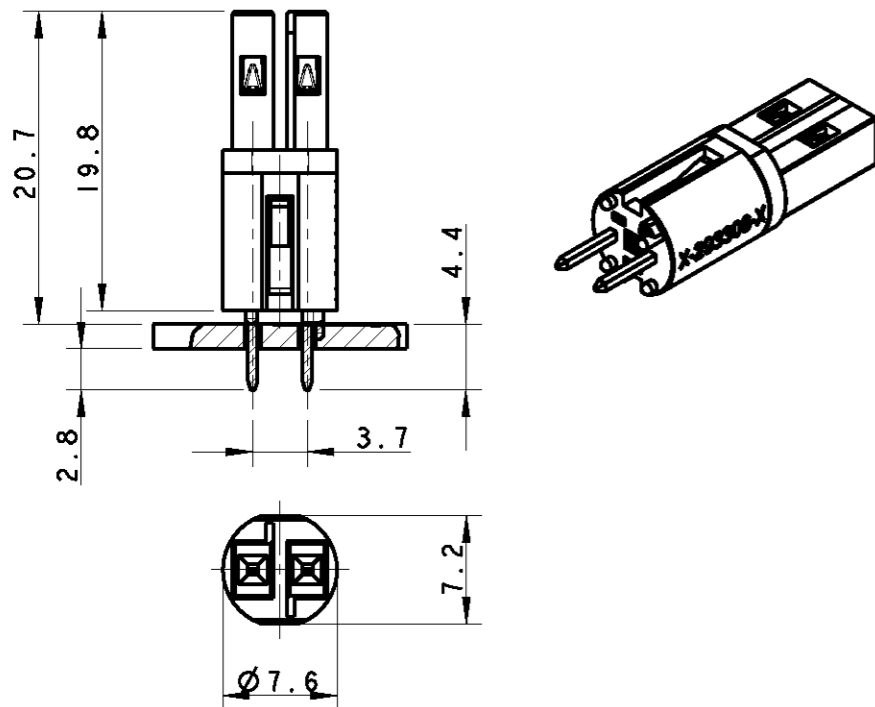
Email & Skype: info@chipsmall.com Web: www.chipsmall.com

Address: A1208, Overseas Decoration Building, #122 Zhenhua RD., Futian, Shenzhen, China



| LOC | DIST | REVISIONS | | | | | |
|-----|------|-----------|-----|-------------|-----------|-----|------|
| | | P | LTR | DESCRIPTION | DATE | DWN | APVD |
| 1 | 2 | | A | FIRST ISSUE | 28FEB2010 | AV | GT |

TYPICAL APPLICATION

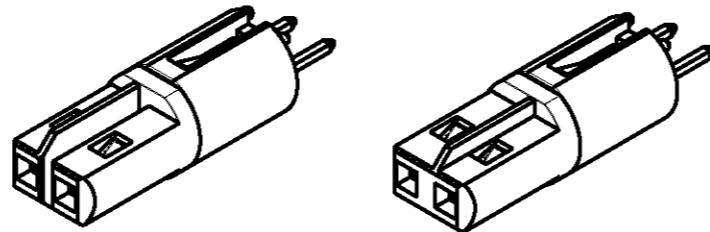


HIGH VOLTAGE

KEYING HV-2 KEYING HV-3

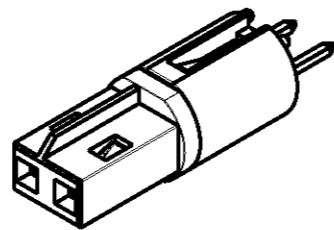


KEYING HV-4 KEYING HV-5



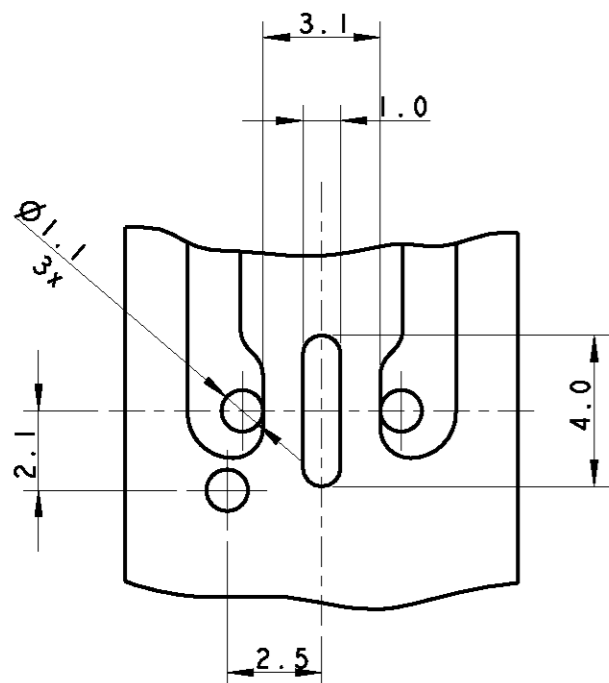
LOW VOLTAGE

KEYING LV-2



PRINTED CIRCUIT BOARD LAYOUT

TOLERANCES UNLESS OTHERWISE SPECIFIED ± 0.05
 PRINTED CIRCUIT BOARD THICKNESS: 1.6 mm NOMINAL



MATERIALS:

- 1) CONTACTS: SOLDERING SIDE TIN PLATED Ph. BRONZE
 RECEPTACLE IN SPECIAL ALLOY COPPER TIN PLATED
 HOUSING: PBT 15%GFF UL 94 V0 COLOR WHITE

2) P/N 293655-1 POLARIZATION KEY HV-2
 TO BE USED FOR SWITCH APPLICATION ONLY

3) NOT YET RELEASED FOR PRODUCTION

| NOTE | KEYING | REMARKS | PART NUMBER | REV |
|------|--------|-----------------------|-------------|-----|
| 3 | LV-2 | LOW-VOLT 42 V DC | 293655-5 | A |
| 3 | HV-5 | HIGH-VOLT 125 V AC | 293655-4 | A |
| 3 | HV-4 | HIGH-VOLT 125 V AC | 293655-3 | A |
| 3 | HV-3 | HIGH-VOLT 125 V AC | 293655-2 | A |
| 2 3 | HV-2 | HIGH-VOLT 125 V AC | 293655-1 | A |

| | | | |
|---|---|--|---|
| <small>THIS DRAWING IS A CONTROLLED DOCUMENT FOR TYCO ELECTRONICS CORPORATION IT IS SUBJECT TO CHANGE AND THE CONTROLLING ENGINEERING ORGANIZATION SHOULD BE CONTACTED FOR THE LATEST REVISION.</small> | | DWN 18FEB2010 A. Vecchia CHK 18FEB2010 G. Turco APVD 18FEB2010 G. Turco | Tyco Electronics Tyco Electronics AMP Italia S.r.l. 10093 Collegno TO |
| DIMENSIONS: mm | TOLERANCES UNLESS OTHERWISE SPECIFIED: 0 PLC ± 1 PLC ±0.5 2 PLC ±0.3 3 PLC ± 4 PLC ± ANGLES ±0.5° | PRODUCT SPEC - APPLICATION SPEC - WEIGHT - | NAME 7,5 mm PCB CONNECTOR ASSEMBLY STRAIGHT FEMALE VERSION FOR USA MARKET |
| MATERIAL - | FINISH - | CUSTOMER DRAWING | SIZE A3 CAGE CODE 00779 DRAWING NO. C-293655 RESTRICTED TO - SCALE 2:1 SHEET 1 OF 1 REV A |