



Chipsmall Limited consists of a professional team with an average of over 10 year of expertise in the distribution of electronic components. Based in Hongkong, we have already established firm and mutual-benefit business relationships with customers from,Europe,America and south Asia,supplying obsolete and hard-to-find components to meet their specific needs.

With the principle of “Quality Parts,Customers Priority,Honest Operation,and Considerate Service”,our business mainly focus on the distribution of electronic components. Line cards we deal with include Microchip,ALPS,ROHM,Xilinx,Pulse,ON,Everlight and Freescale. Main products comprise IC,Modules,Potentiometer,IC Socket,Relay,Connector.Our parts cover such applications as commercial,industrial, and automotives areas.

We are looking forward to setting up business relationship with you and hope to provide you with the best service and solution. Let us make a better world for our industry!



Contact us

Tel: +86-755-8981 8866 Fax: +86-755-8427 6832

Email & Skype: info@chipsmall.com Web: www.chipsmall.com

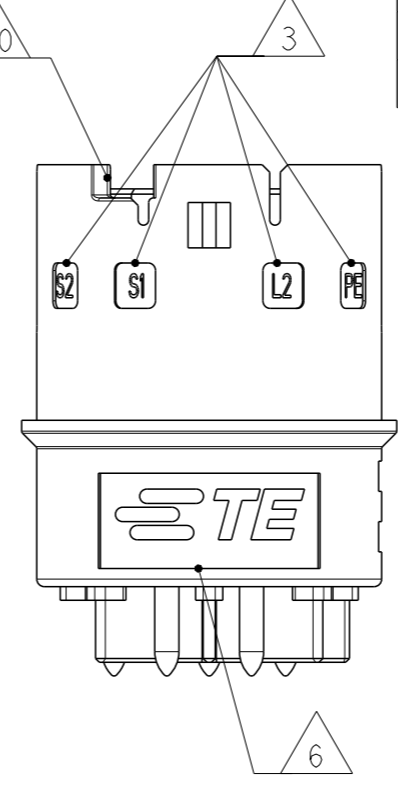
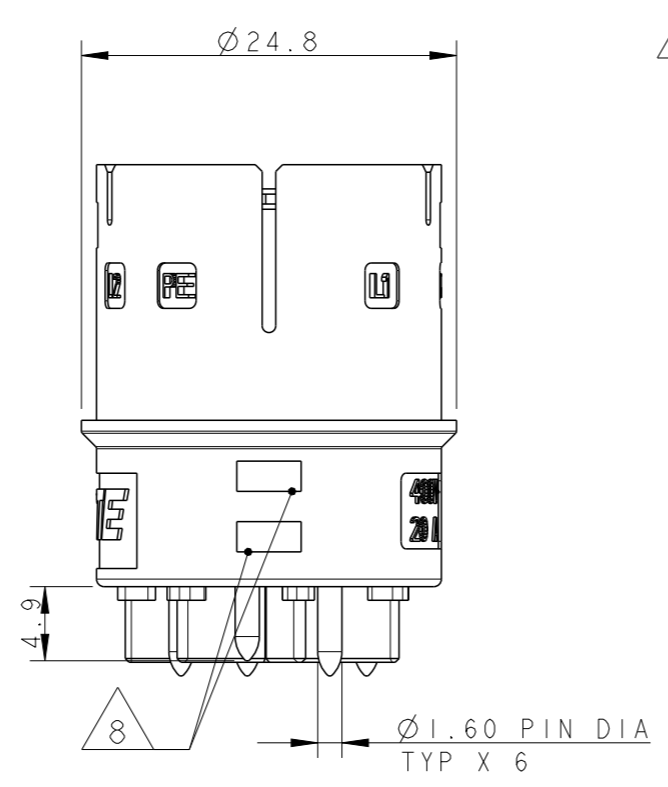
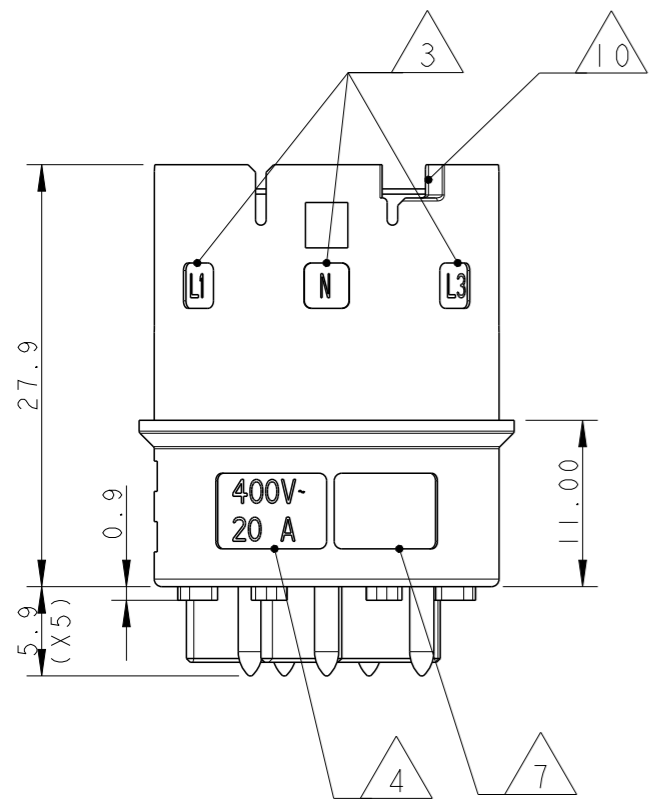
Address: A1208, Overseas Decoration Building, #122 Zhenhua RD., Futian, Shenzhen, China



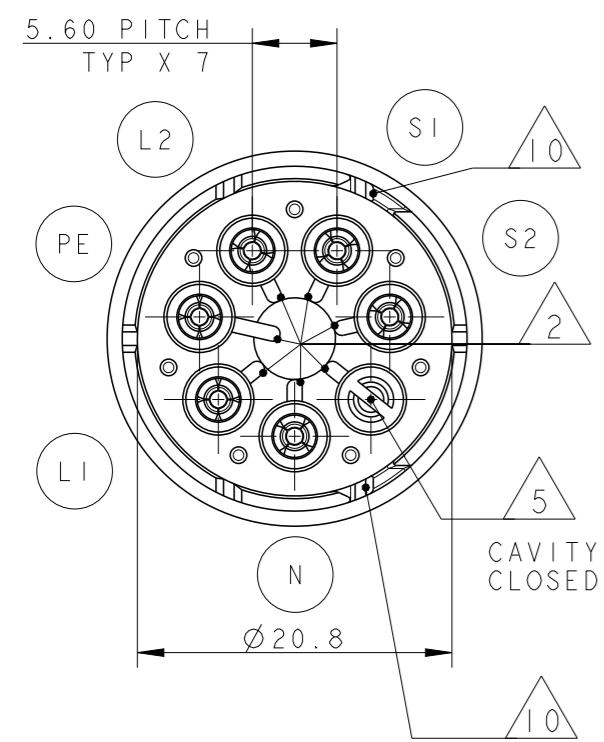
THIS DRAWING IS UNPUBLISHED. RELEASED FOR PUBLICATION 2011
 © COPYRIGHT 2011 BY - ALL RIGHTS RESERVED.

LOC 1 DIST -

REVISIONS					
P	LTR	DESCRIPTION	DATE	DWN	APVD
5		UPDATED	07JUN2011	AB	GT
6		UPDATED	23JUL2013	MZ	JC
A		PARTS RELEASED FOR PRODUCTION	13NOV2013	KR	JC



- NOTES:
- 1 MATERIAL: PA GF (NATURAL)
 - HOUSING: PA GF
 - CONTACTS: BRASS TIN PLATED
 - 2 ALL POLARIZATION KEYS SHOWN FOR REF ONLY
 - 3 WAYS I.D.
 - 4 VOLTAGE AND CURRENT RATINGS
 - 5 RIB CLOSING CAVITY BY CHANGE OVER
 - 6 TE LOGO
 - 7 AREA FOR AGENCIES APPROVAL LOGO
 - 8 VISUAL INDICATOR FOR PE CONDUCTOR
 - 9) SEE C-DRAWING 293682 (LOCKING CAP) TO GET IP 40
 - 10 SLOTS TO ALLOW DELATCHING TOOL OPERATION. FOR DELATCHING TOOL AND OPERATION REFER TO APPLICATION SPECIFICATION



PCB CUT-OUT AND HOLES DIMENSIONS (±0.03)

BOTTOM VIEW

TOP VIEW

SCALE 1:1

Ø12.91
PIN HOLES CENTER PLACED ALONG VERTEX OF HEPTAGON FIGURE INSCRIBED INTO CIRCLE 12.91MM DIA.

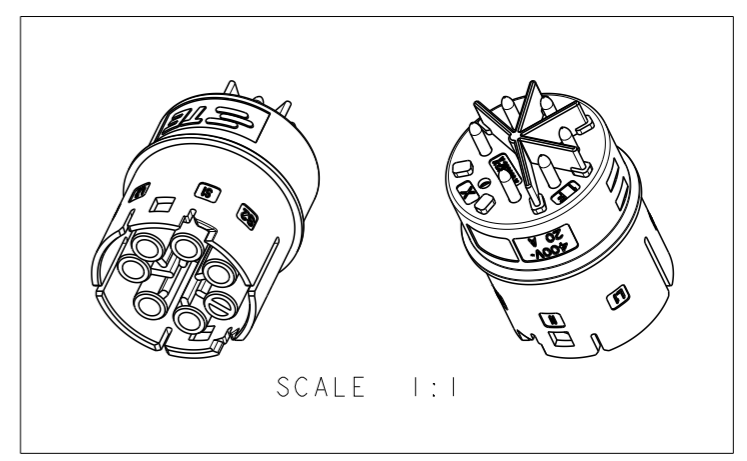
Ø1.80 TYP X 5

9.60 TYP X 5

5.60 TYP X 5

1.00 TYP X 5

RACOMANDED PCB THICKNESS 1.6±0.06, PATH THICKNESS 0.07, PATH WIDTH 7.50±0.05 FOR LINES, PE, NEUTRAL



THIS DRAWING IS A CONTROLLED DOCUMENT.		DWN A. BERNARDI 31MAR2011	TE Connectivity		
DIMENSIONS: mm		CHK -			
TOLERANCES UNLESS OTHERWISE SPECIFIED:		APVD G. TURCO 31MAR2011	NAME SOCKET 6 POLES PCB CONNECTOR NECTOR M-LINE		
0 PLC ±-		PRODUCT SPEC 108-20324	SIZE CAGE CODE DRAWING NO RESTRICTED TO		
1 PLC ±0.3		APPLICATION SPEC 114-20169	A300779 C-293671		
2 PLC ±0.2		WEIGHT -	SCALE 2:1 SHEET 1 OF 2 REV A		
3 PLC ±-		Customer Drawing			
4 PLC ±-					
ANGLES ±3°					
MATERIAL -					
FINISH -					

THIS DRAWING IS UNPUBLISHED.

RELEASED FOR PUBLICATION

2011

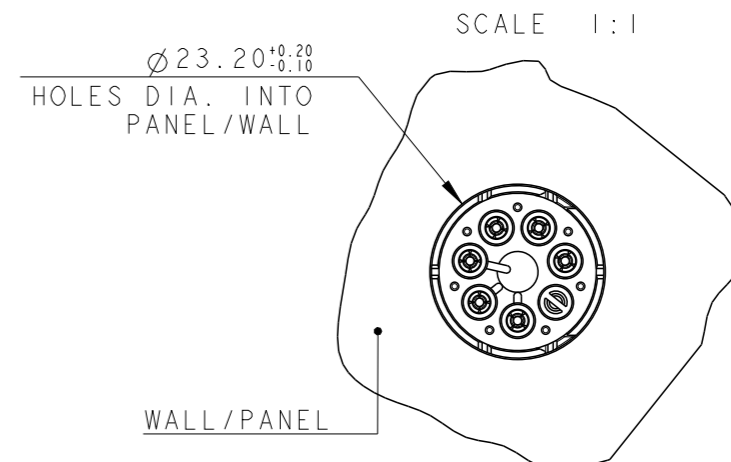
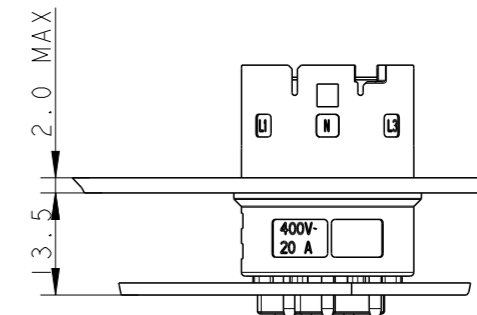
© COPYRIGHT 2011 BY -

ALL RIGHTS RESERVED.

LOC	DIST	REVISIONS			
P	LTR	DESCRIPTION	DATE	DWN	APVD
	-	SEE SHEET 1	-	-	-

POLARIZATION TYPES

POLARIZATION TYPE "C"	POLARIZATION TYPE "D"	POLARIZATION TYPE "E"
PNs 0-293671-3	PNs 0-293671-4	PNs 0-293671-5



	E	NATURAL	SOCKET PCB CONN 6 POLES NECTOR* M-LINE	A	0-293671-5
	D	NATURAL	SOCKET PCB CONN 6 POLES NECTOR* M-LINE	A	0-293671-4
	C	NATURAL	SOCKET PCB CONN 6 POLES NECTOR* M-LINE	A	0-293671-3
NOTE	POL. KEYING	COLOUR	DESCRIPTION	REV.	P/N

THIS DRAWING IS A CONTROLLED DOCUMENT.		DWN A. BERNARDI 31MAR2011	TE Connectivity		
DIMENSIONS: mm		CHK -			
TOLERANCES UNLESS OTHERWISE SPECIFIED:		APVD G. TURCO 31MAR2011	NAME SOCKET 6 POLES PCB CONNECTOR NECTOR M-LINE		
		PRODUCT SPEC 108-20324	RESTRICTED TO		
MATERIAL -		APPLICATION SPEC 114-20169	SIZE A300779	DRAWING NO C-293671	
FINISH -		WEIGHT -	SCALE 2:1 SHEET 2 OF 2 REV A		
Customer Drawing					