



Chipsmall Limited consists of a professional team with an average of over 10 year of expertise in the distribution of electronic components. Based in Hongkong, we have already established firm and mutual-benefit business relationships with customers from,Europe,America and south Asia,supplying obsolete and hard-to-find components to meet their specific needs.

With the principle of “Quality Parts,Customers Priority,Honest Operation,and Considerate Service”,our business mainly focus on the distribution of electronic components. Line cards we deal with include Microchip,ALPS,ROHM,Xilinx,Pulse,ON,Everlight and Freescale. Main products comprise IC,Modules,Potentiometer,IC Socket,Relay,Connector.Our parts cover such applications as commercial,industrial, and automotives areas.

We are looking forward to setting up business relationship with you and hope to provide you with the best service and solution. Let us make a better world for our industry!



## Contact us

Tel: +86-755-8981 8866 Fax: +86-755-8427 6832

Email & Skype: info@chipsmall.com Web: www.chipsmall.com

Address: A1208, Overseas Decoration Building, #122 Zhenhua RD., Futian, Shenzhen, China



4

3

2

1

THIS DRAWING IS UNPUBLISHED.

RELEASED FOR PUBLICATION

2011

© COPYRIGHT 2011 BY -

ALL RIGHTS RESERVED.

LOC  
1  
DIST  
-

REVISIONS

P	LTR	DESCRIPTION	DATE	DWN	APVD
5		UPDATED	23JUL2013	MZ	JC
A		PARTS RELEASED FOR PRODUCTION	14NOV2013	KR	JC

NOTES:

1 MATERIAL: PA GF (NATURAL)  
- HOUSING: PA GF  
- CONTACTS: BRASS TIN PLATED

2 ALL POLARIZATION KEYS SHOWN FOR REF ONLY

3 WAYS I.D.

4 VOLTAGE AND CURRENT RATINGS

5 RIB CLOSING CAVITY BY CHANGE OVER

6 TE LOGO

7 AREA FOR AGENCIES APPROVAL LOGO

8 VISUAL INDICATOR FOR PE CONDUCTOR

**PCB CUT-OUT AND HOLES DIMENSIONS ( $\pm 0.03$ )**

SCALE 1:1

**TOP VIEW**

**BOTTOM VIEW**

PIN HOLES CENTER PLACED ALONG VERTEX OF HEPTAGON FIGURE INSCRIBED INTO CIRCLE 12.91MM DIA.

RACOMANDED PCB THICKNESS  $1.6 \pm 0.06$ ,  
PATH THICKNESS 0.07,  
PATH WIDTH  $7.50 \pm 0.05$  FOR LINES, PE, NEUTRAL

THIS DRAWING IS A CONTROLLED DOCUMENT.

DWN 31MAR2011  
A. BERNARDI  
CHK 31MAR2011  
M. ZUCCA  
APVD 31MAR2011  
G. TURCO

TE Connectivity

DIMENSIONS:  
mm

TOLERANCES UNLESS OTHERWISE SPECIFIED:

0 PLC  $\pm$

1 PLC  $\pm 0.3$

2 PLC  $\pm 0.20$

3 PLC  $\pm$

4 PLC  $\pm$

ANGLES  $\pm 3^\circ$

MATERIAL

FINISH

PRODUCT SPEC

APPLICATION SPEC

WEIGHT

NAME

PCB PIN CONNECTOR 6 POLES  
M-LINE NECTOR

SIZE

CAGE CODE

DRAWING NO

RESTRICTED TO

A300779

C-293672

Customer Drawing

SCALE 2:1

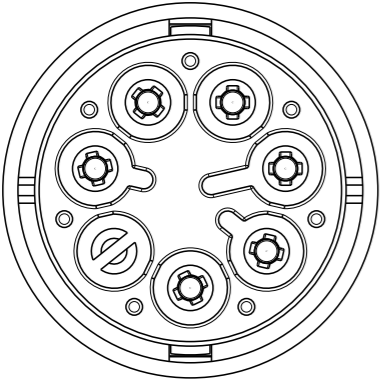
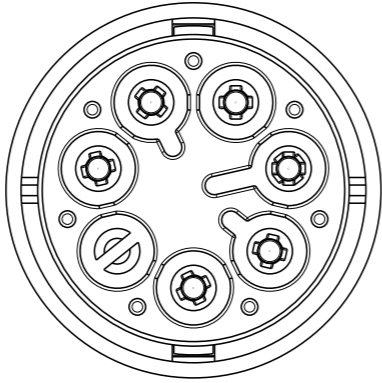
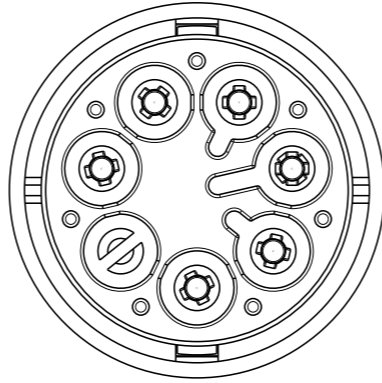
SHEET 1 OF 2

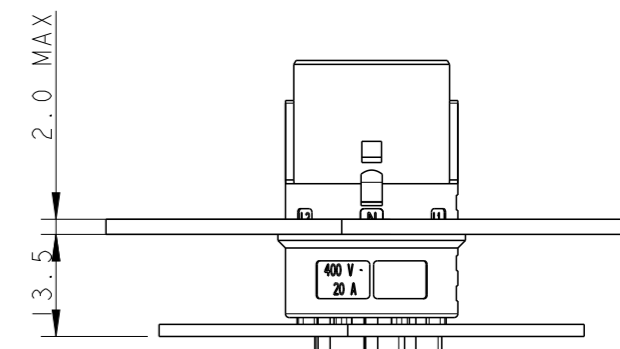
REV A

1470-19 (3/11)

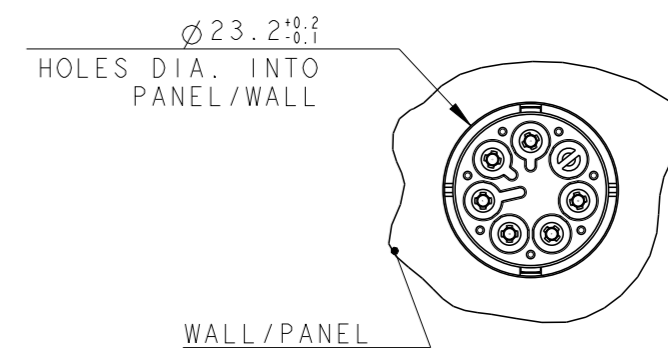
LOC	DIST	REVISIONS					
		P	LTR	DESCRIPTION	DATE	DWN	APVD
1	-	-	-	SEE SHEET 1	-	-	-

### POLARIZATION TYPES


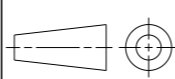
POLARIZATION TYPE "C"	POLARIZATION TYPE "D"	POLARIZATION TYPE "E"
		
PNs 0-293672-3	PNs 0-293672-4	PNs 0-293672-5



SCALE 1:1



	E	NATURAL	PIN PCB CONN 6 POLES NECTOR* M-LINE	A	0-293672-5
	D	NATURAL	PIN PCB CONN 6 POLES NECTOR* M-LINE	A	0-293672-4
	C	NATURAL	PIN PCB CONN 6 POLES NECTOR* M-LINE	A	0-293672-3
NOTE	POL. KEYING	COLOUR	DESCRIPTION	REV.	P/N

THIS DRAWING IS A CONTROLLED DOCUMENT.		DWN A. BERNARDI 31MAR2011	 TE Connectivity		
DIMENSIONS: mm		CHK M. ZUCCA 31MAR2011			
TOLERANCES UNLESS OTHERWISE SPECIFIED:		APVD G. TURCO 31MAR2011	NAME PCB PIN CONNECTOR 6 POLES M-LINE NECTOR		
		PRODUCT SPEC -	RESTRICTED TO		
0 PLC ±- 1 PLC ±0.3 2 PLC ±0.20 3 PLC ±- 4 PLC ±- ANGLES ±3°		APPLICATION SPEC -	SIZE A300779	DRAWING NO C-293672	
MATERIAL -		FINISH -	WEIGHT -	SCALE 2:1 SHEET 2 OF 2 REV A	
Customer Drawing					