



Chipsmall Limited consists of a professional team with an average of over 10 year of expertise in the distribution of electronic components. Based in Hongkong, we have already established firm and mutual-benefit business relationships with customers from,Europe,America and south Asia,supplying obsolete and hard-to-find components to meet their specific needs.

With the principle of “Quality Parts,Customers Priority,Honest Operation,and Considerate Service”,our business mainly focus on the distribution of electronic components. Line cards we deal with include Microchip,ALPS,ROHM,Xilinx,Pulse,ON,Everlight and Freescale. Main products comprise IC,Modules,Potentiometer,IC Socket,Relay,Connector.Our parts cover such applications as commercial,industrial, and automotives areas.

We are looking forward to setting up business relationship with you and hope to provide you with the best service and solution. Let us make a better world for our industry!



Contact us

Tel: +86-755-8981 8866 Fax: +86-755-8427 6832

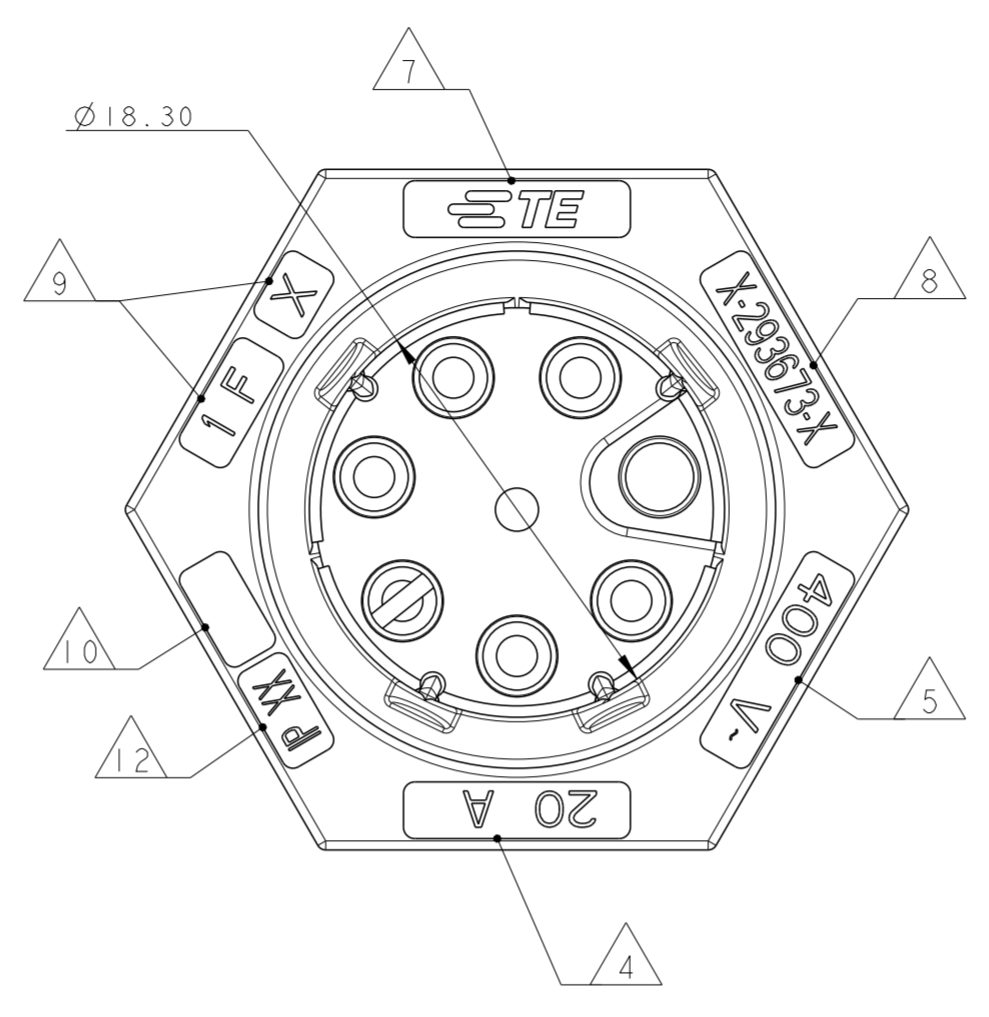
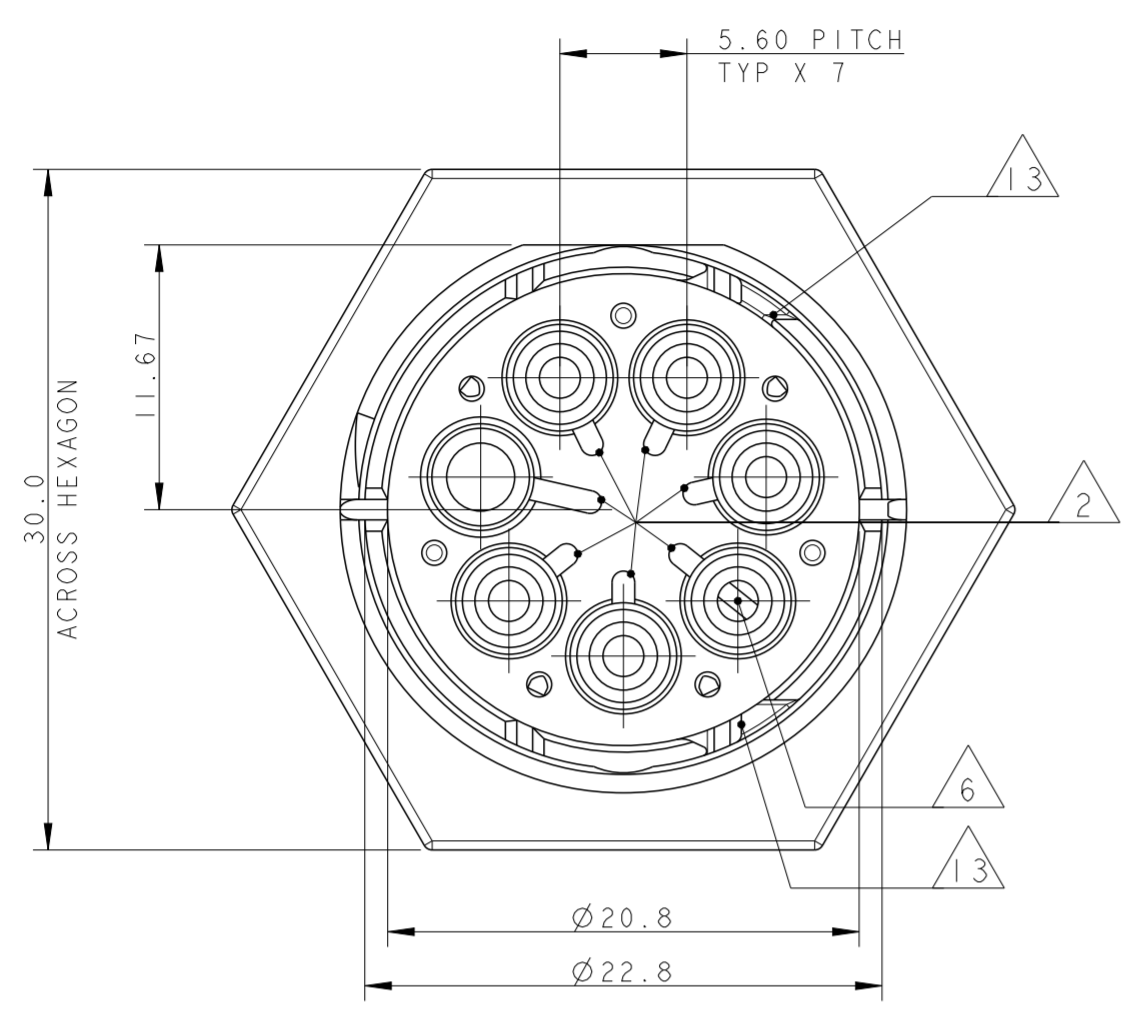
Email & Skype: info@chipsmall.com Web: www.chipsmall.com

Address: A1208, Overseas Decoration Building, #122 Zhenhua RD., Futian, Shenzhen, China



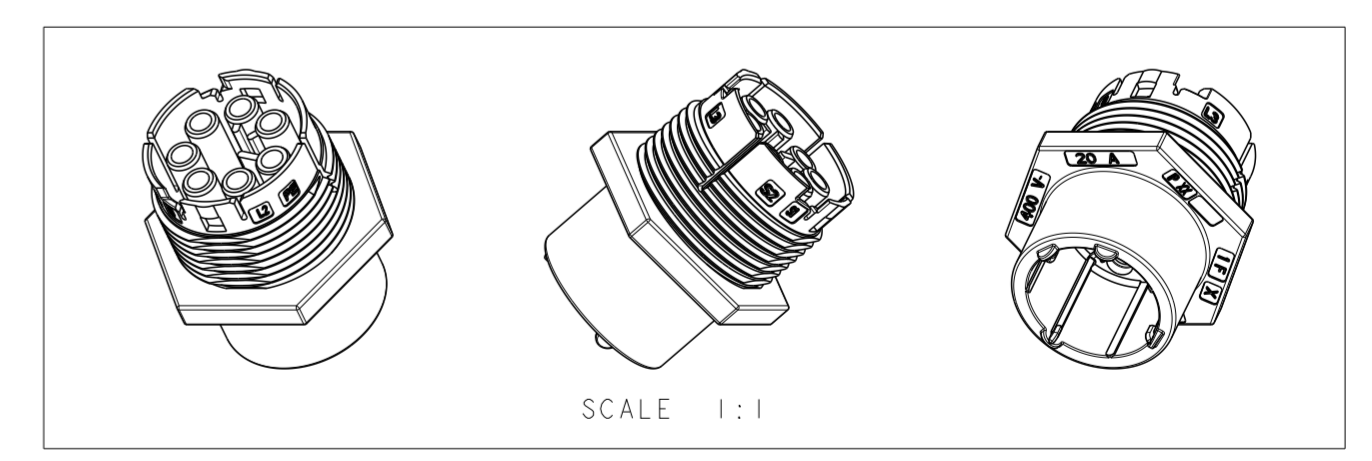
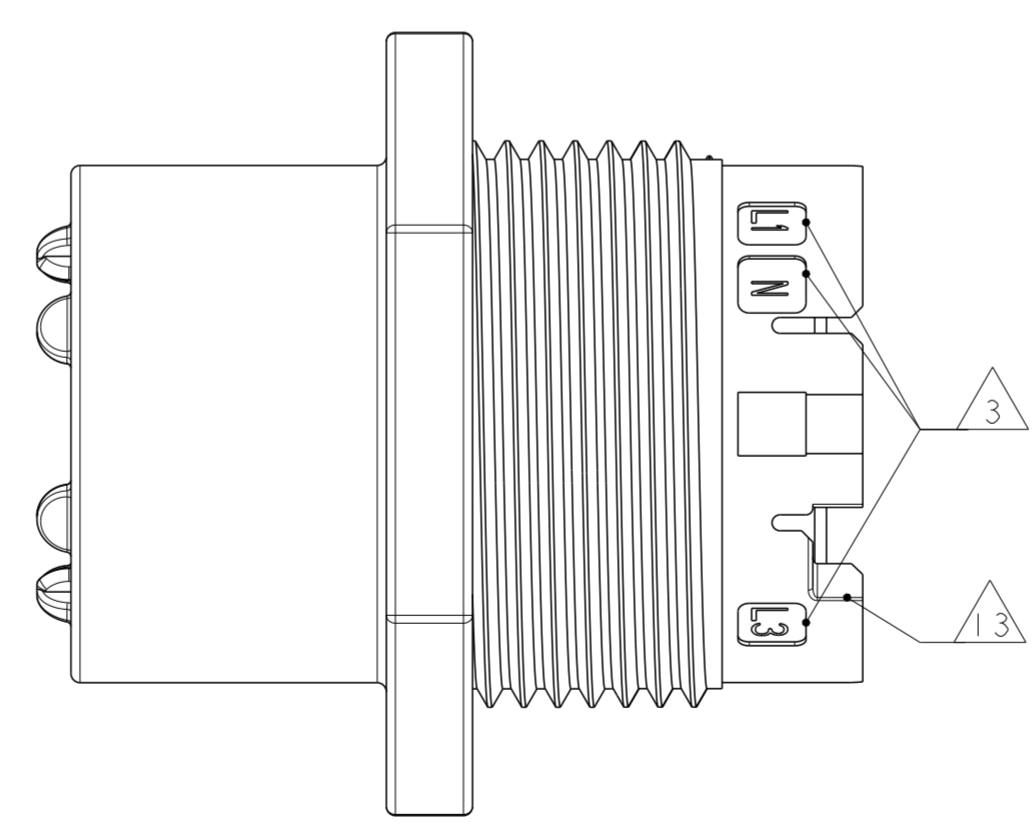
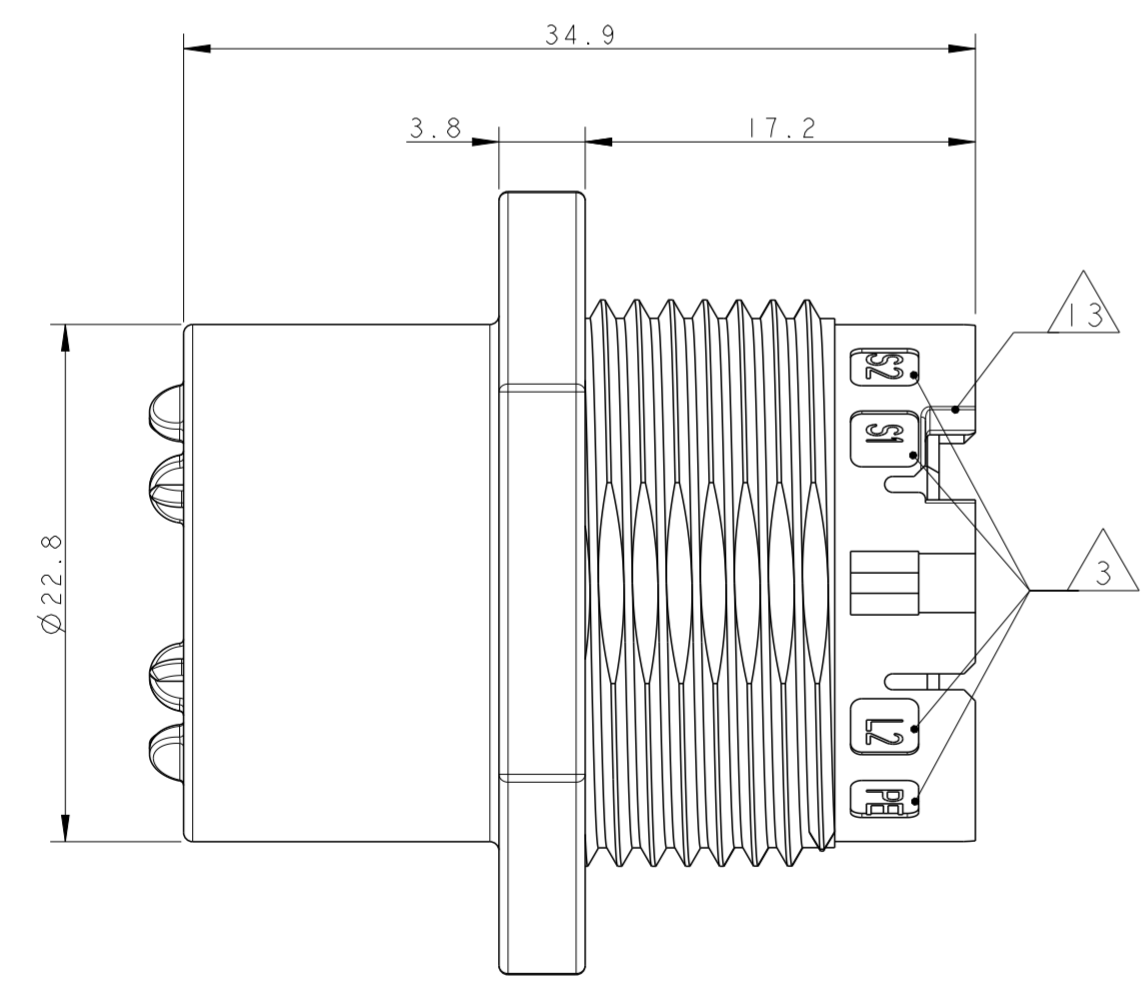
THIS DRAWING IS UNPUBLISHED. RELEASED FOR PUBLICATION 2011
 © COPYRIGHT 2011 BY - ALL RIGHTS RESERVED.


LOC	DIST	REVISIONS					
		P	LTR	DESCRIPTION	DATE	DWN	APVD
		6		UPDATED	23JUL2013	MZ	JC
		7		REVISED MARKINGS	17SEP2013	KR	JC
		A		PARTS RELEASED FOR PRODUCTION	13NOV2013	KR	JC
		C		ECR-15-011011	27JUL2015	RS	PO



NOTES:

- 1 MATERIAL: PA GF (NATURAL AND BLACK COLOUR)
- 2 ALL POLARIZATION KEYS SHOWN FOR REF ONLY
- 3 WAYS I.D.
- 4 CURRENT RATING
- 5 VOLTAGE RATING
- 6 RIB CLOSING CAVITIES BY CHANGE OVER
- 7 TE LOGO
- 8 TE PART NUMBER
- 9 DATA CODE AND CAVITY I.D.
- 10 AREA FOR AGENCIES APPROVAL LOGO
- 11) SEE C-DRAWING 293682 (LOCKING CAP) TO GET IP 40
- 12 IP CODE
- 13 SLOTS TO ALLOW DEALTCHING TOOL OPERATION. FOR DEALTCHING TOOL AND DOPERATION REFER TO APPLICATION SPECIFICATION



THIS DRAWING IS A CONTROLLED DOCUMENT.		DWN A. BERNARDI 31MAR2011	 TE Connectivity	
DIMENSIONS: mm		CHK M. ZUCCA 31MAR2011		
TOLERANCES UNLESS OTHERWISE SPECIFIED:		APVD G. TURCO 31MAR2011	NAME SKT HOUSING 6 POLES PANEL MOUNT NECTOR M-LINE UNSEALED VERSION	
0 PLC ± 1 PLC ±0.3 2 PLC ±0.20 3 PLC ± 4 PLC ± ANGLES ±3° FINISH		PRODUCT SPEC 108-20324	SIZE 114-20169	RESTRICTED TO
MATERIAL		APPLICATION SPEC	SCALE 3:1	SHEET 1 OF 3
NOTE 1		WEIGHT -	DRAWING NO A200779C-293673	REV C
		Customer Drawing		

THIS DRAWING IS UNPUBLISHED. RELEASED FOR PUBLICATION 2011
 © COPYRIGHT 2011 BY - ALL RIGHTS RESERVED.

LOC		DIST		REVISIONS			
P	LTR	DESCRIPTION	DATE	DWN	APVD		
-	-	SEE SHEET 1	-	-	-		

POLARIZATION TYPES

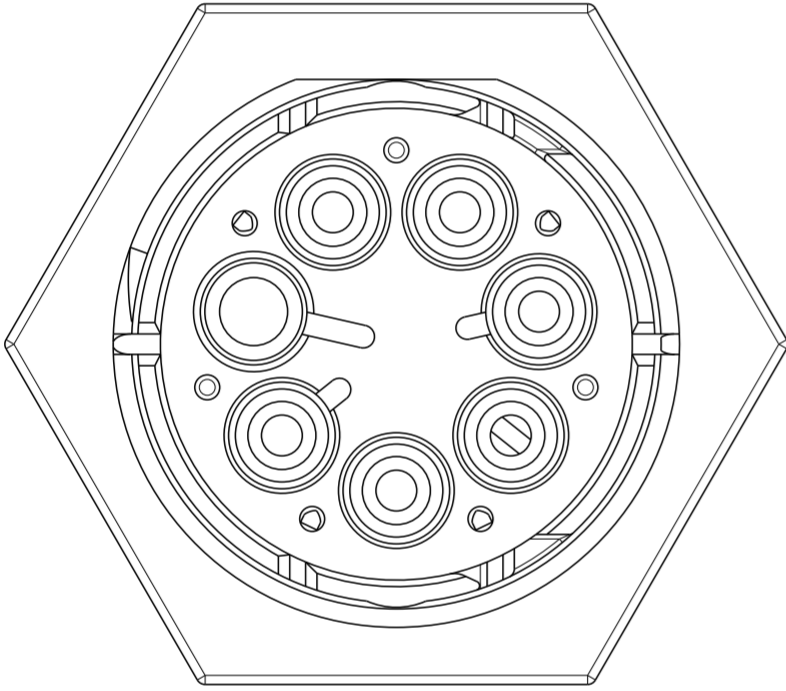
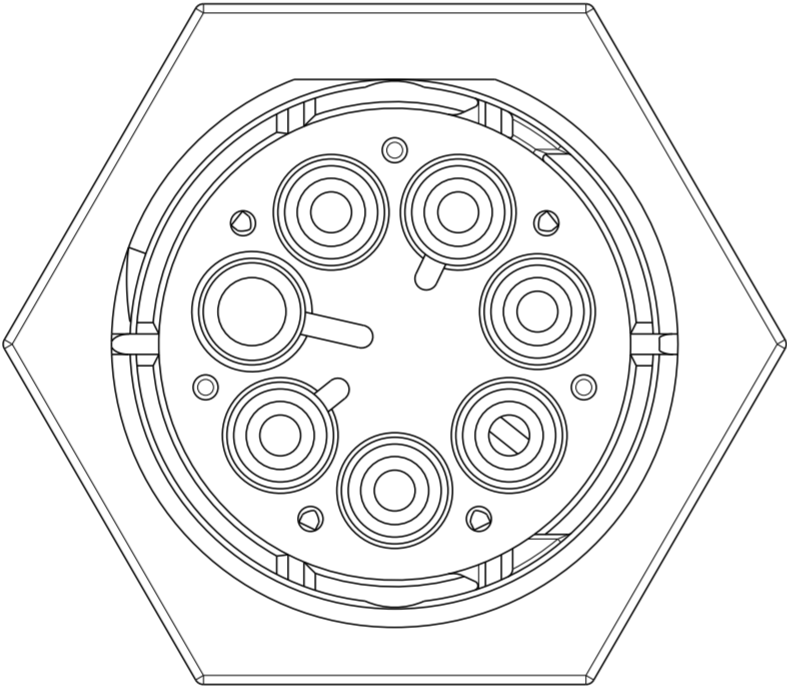
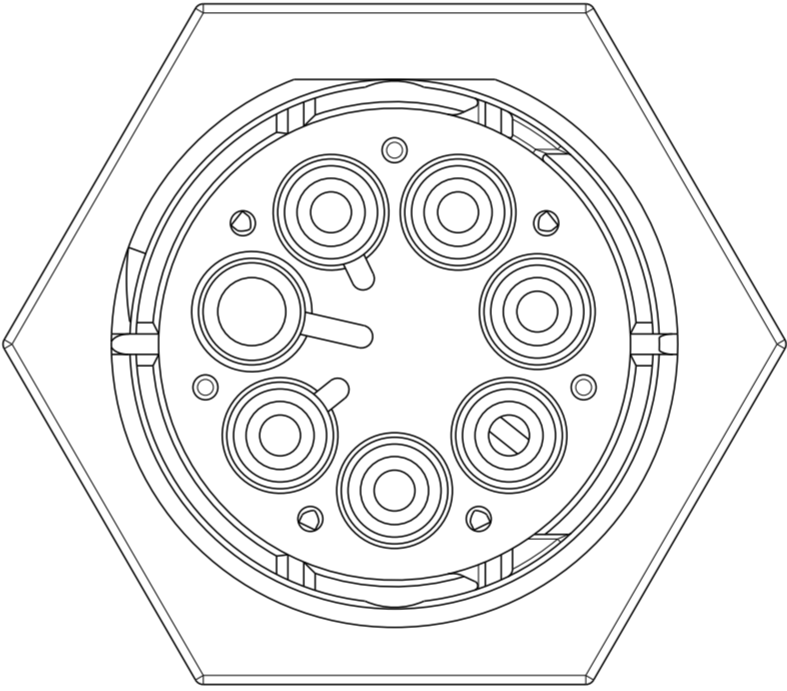

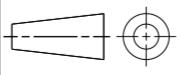
POLARIZATION TYPE "C"	POLARIZATION TYPE "B"	POLARIZATION TYPE "C"
		
PNs 0-293673-3 AND 1-293673-3	PNs 0-293673-4 AND 1-293673-4	PNs 0-293673-5 AND 1-293673-5

TABLE 1

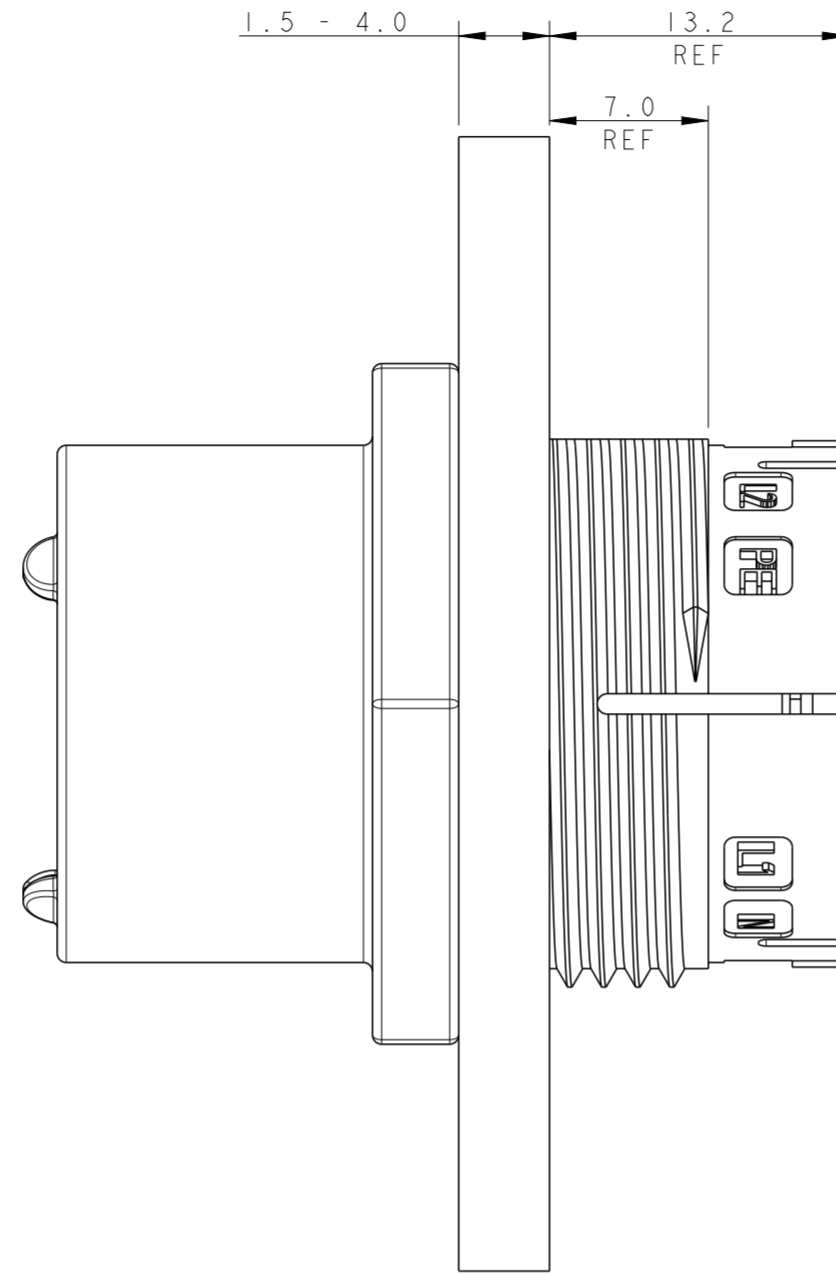
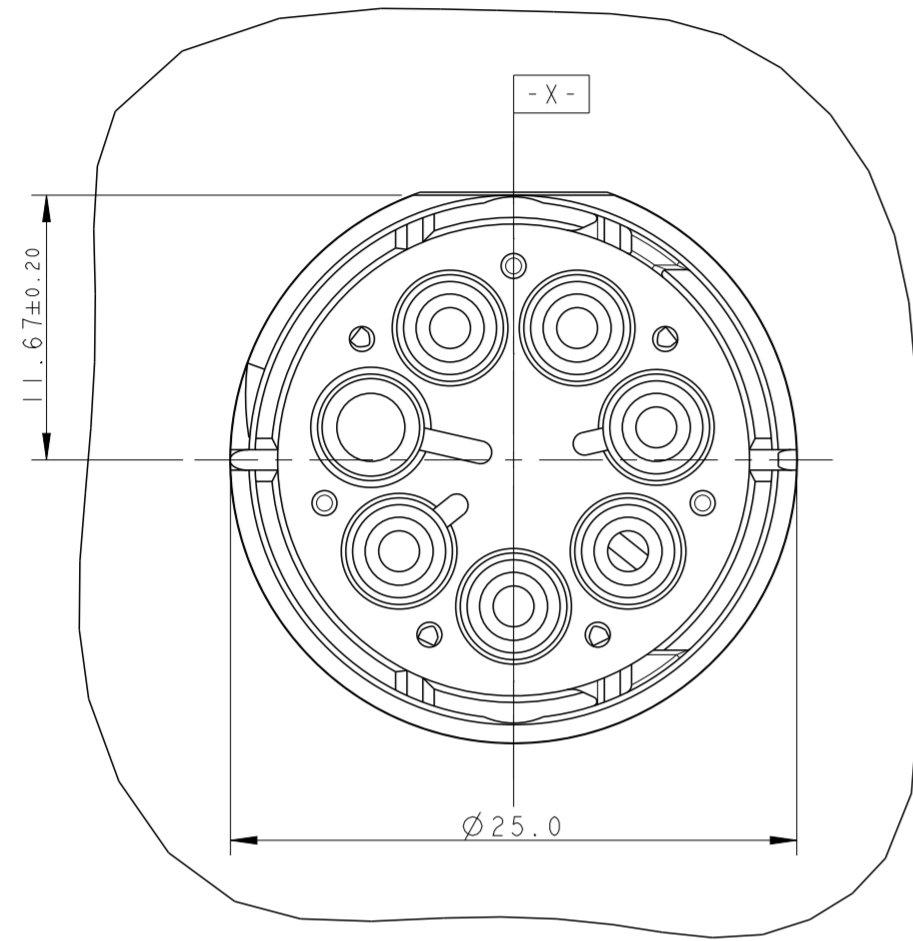
NOTE	POL. KEYING	COLOUR	DESCRIPTION	REV.	P/N
1	E	BLACK	SOCKET HSG 6 POLES PANEL MOUNT NECTOR* M-LINE	A	1-293673-5
1	D	BLACK	SOCKET HSG 6 POLES PANEL MOUNT NECTOR* M-LINE	A	1-293673-4
1	C	BLACK	SOCKET HSG 6 POLES PANEL MOUNT NECTOR* M-LINE	A	1-293673-3
1	E	NATURAL	SOCKET HSG 6 POLES PANEL MOUNT NECTOR* M-LINE	A	0-293673-5
1	D	NATURAL	SOCKET HSG 6 POLES PANEL MOUNT NECTOR* M-LINE	A	0-293673-4
1	C	NATURAL	SOCKET HSG 6 POLES PANEL MOUNT NECTOR* M-LINE	A	0-293673-3

THIS DRAWING IS A CONTROLLED DOCUMENT.		DWN A. BERNARD 31MAR2011	 TE Connectivity	
DIMENSIONS: mm		CHK M. ZUCCA 31MAR2011		
TOLERANCES UNLESS OTHERWISE SPECIFIED:		APVD G. TURCO 31MAR2011	NAME SKT HOUSING 6 POLES PANEL MOUNT NECTOR M-LINE UNSEALED VERSION	
		PRODUCT SPEC 108-20324	SIZE	CAGE CODE
MATERIAL		APPLICATION SPEC 114-20169	DRAWING NO	RESTRICTED TO
NOTE 1		WEIGHT -	A200779	C-293673
		Customer Drawing	SCALE 3:1	SHEET 2 OF 3 REV C

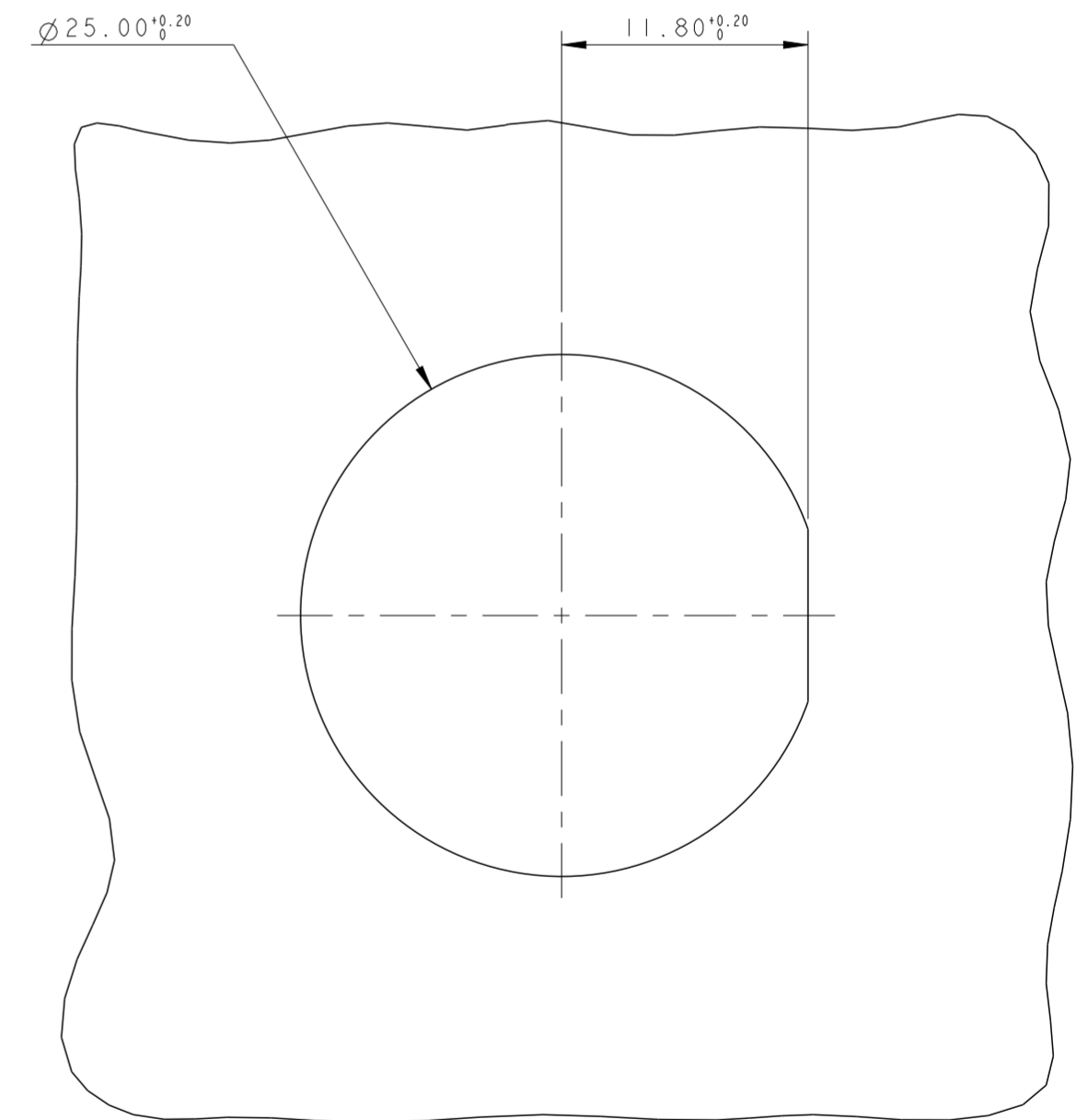
THIS DRAWING IS UNPUBLISHED. RELEASED FOR PUBLICATION 2011
 © COPYRIGHT 2011 BY - ALL RIGHTS RESERVED.

LOC		DIST		REVISIONS			
P	LTR	DESCRIPTION	DATE	DWN	APVD		
-	-	SEE SHEET 1	-	-	-		

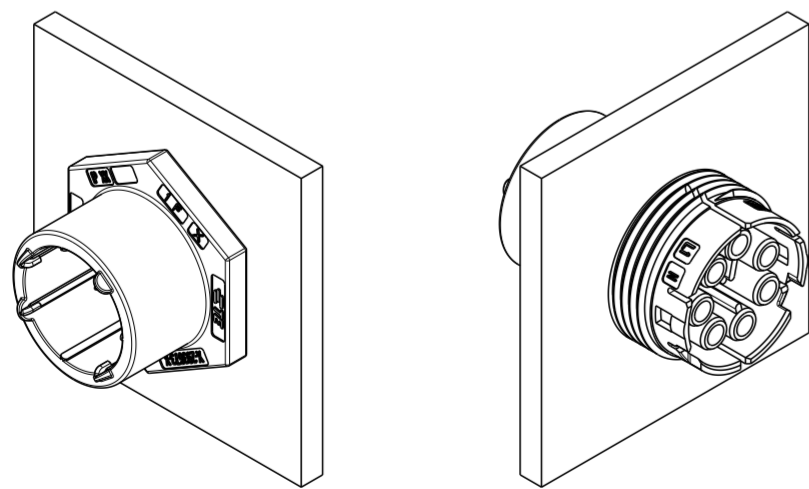
PN 293673-3 AS SHOWN




PANEL/WALL
SUGGESTED LAYOUT



3D VIEWS,
FOR REFERENCE ONLY
PN 293673-3 AS SHOWN



SCALE 1:1

THIS DRAWING IS A CONTROLLED DOCUMENT.		DWN A. BERNARDI 31MAR2011	 TE Connectivity	
DIMENSIONS: mm		CHK M. ZUCCA 31MAR2011		
TOLERANCES UNLESS OTHERWISE SPECIFIED:		APVD G. TURCO 31MAR2011	NAME SKT HOUSING 6 POLES PANEL MOUNT NECTOR M-LINE UNSEALED VERSION	
0 PLC ± 1 PLC ±0.3 2 PLC ±0.20 3 PLC ± 4 PLC ±		PRODUCT SPEC 108-20324	SIZE 114-20169	
ANGLES ±3°		APPLICATION SPEC	RESTRICTED TO	
FINISH		WEIGHT -	A200779C-293673	
NOTE 1		Customer Drawing		SCALE 3:1 SHEET 3 OF 3 REV C