



Chipsmall Limited consists of a professional team with an average of over 10 year of expertise in the distribution of electronic components. Based in Hongkong, we have already established firm and mutual-benefit business relationships with customers from,Europe,America and south Asia,supplying obsolete and hard-to-find components to meet their specific needs.

With the principle of “Quality Parts,Customers Priority,Honest Operation,and Considerate Service”,our business mainly focus on the distribution of electronic components. Line cards we deal with include Microchip,ALPS,ROHM,Xilinx,Pulse,ON,Everlight and Freescale. Main products comprise IC,Modules,Potentiometer,IC Socket,Relay,Connector.Our parts cover such applications as commercial,industrial, and automotives areas.

We are looking forward to setting up business relationship with you and hope to provide you with the best service and solution. Let us make a better world for our industry!



Contact us

Tel: +86-755-8981 8866 Fax: +86-755-8427 6832

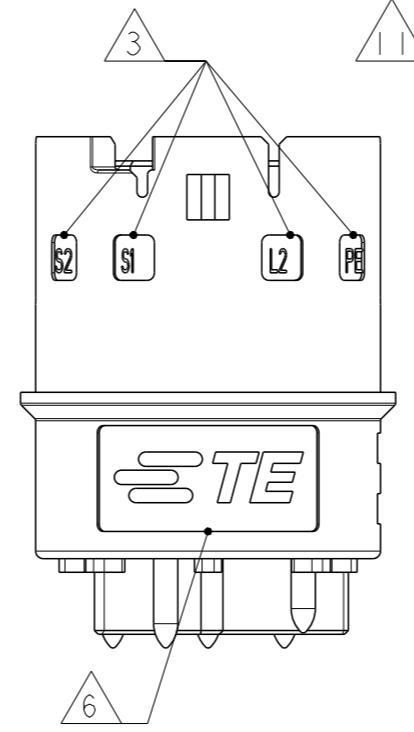
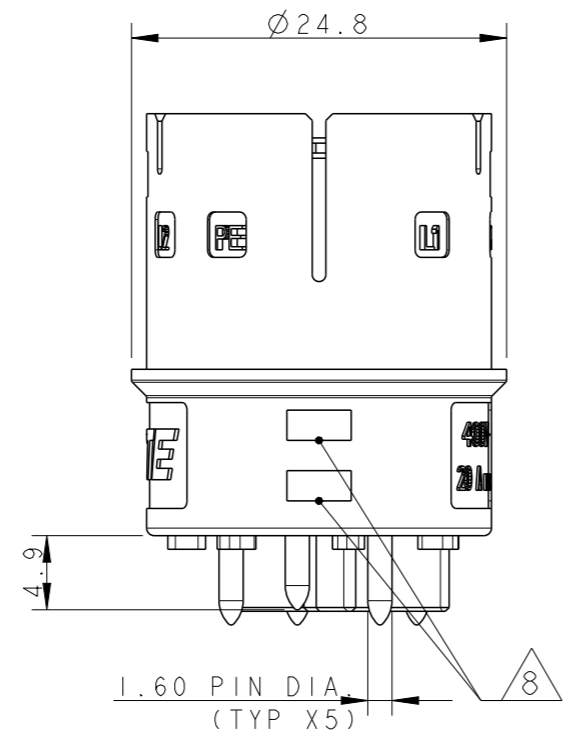
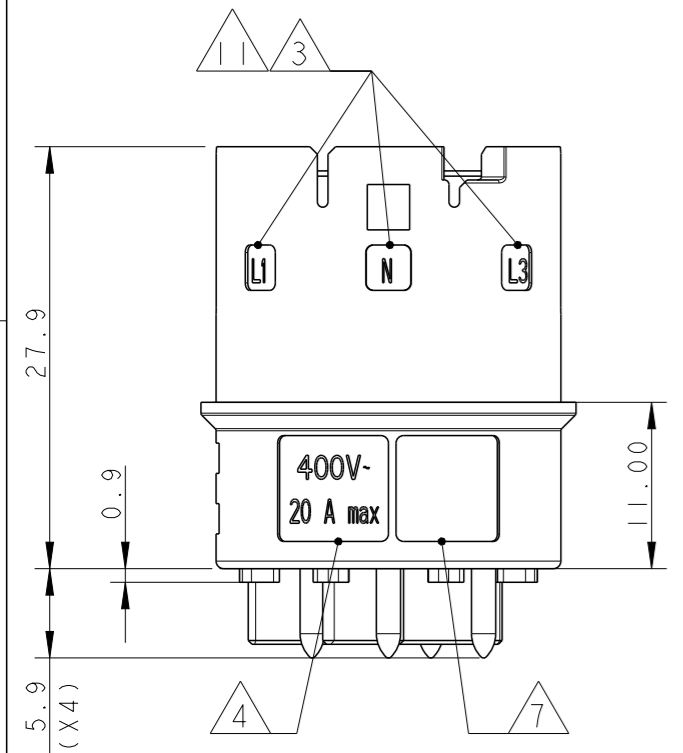
Email & Skype: info@chipsmall.com Web: www.chipsmall.com

Address: A1208, Overseas Decoration Building, #122 Zhenhua RD., Futian, Shenzhen, China

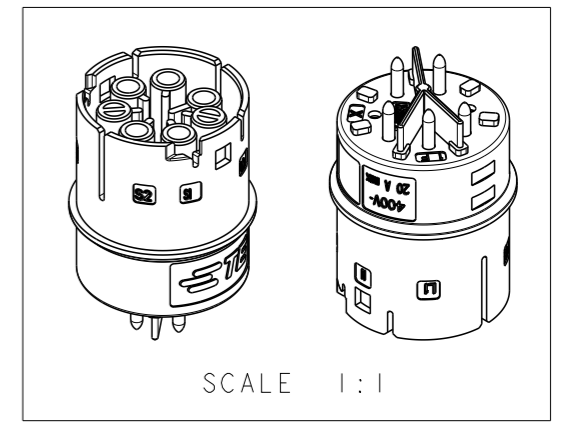
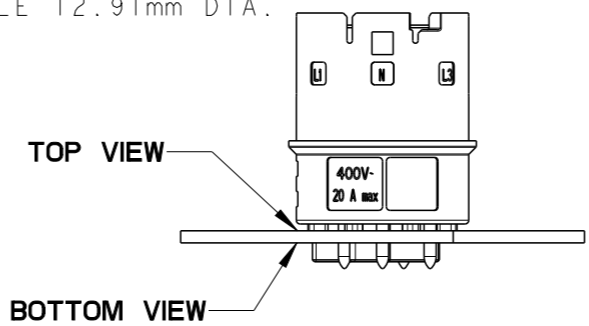
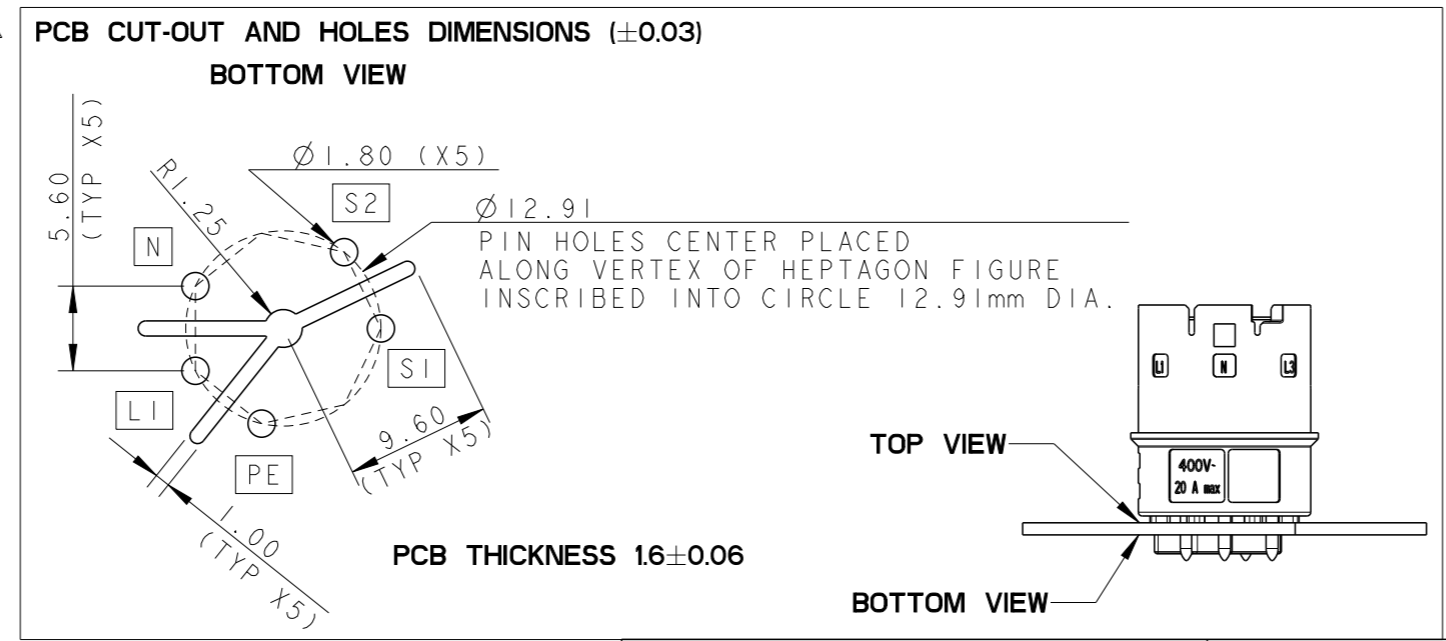
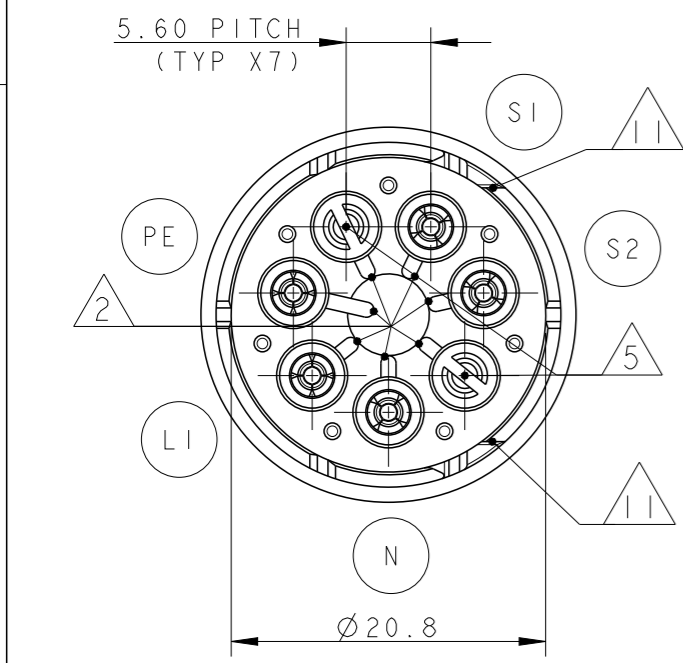


THIS DRAWING IS UNPUBLISHED. RELEASED FOR PUBLICATION 2011
 © COPYRIGHT 2011 ALL RIGHTS RESERVED.

LOC	DIST	REVISIONS					
		P	LTR	DESCRIPTION	DATE	DWN	APVD
1	-	6		UPDATED	22JUL2013	MZ	JC
		A		PARTS RELEASED FOR PRODUCTION	13NOV2013	MZ	JC



- NOTES:
- 1 MATERIAL: PA GF (NATURAL COLOUR)
 - 2 ALL POLARIZATION KEYS SHOWN FOR REF ONLY
 - 3 WAYS I.D.
 - 4 VOLTAGE AND CURRENT RATINGS
 - 5 RIB CLOSING CAVITIES BY CHANGE OVER
 - 6 TE LOGO
 - 7 AREA FOR AGENCIES APPROVAL LOGO
 - 8 VISUAL INDICATOR FOR PE CONDUCTOR
 - 9) SEE C-DRAWING 293682 (LOCKING CAP) TO GET IP 40
 - 10 POLARISATION KEY "TYPE D" SUITABLE FOR DALI APPLICATION
 - 11 SLOTS TO ALLOW DELATCHING TOOL OPERATION. FOR DELATCHING TOOL AND OPERATION REFER TO APPLICATION SPECIFICATION



THIS DRAWING IS A CONTROLLED DOCUMENT.		DWN M. ZUCCA 04APR2011	TE Connectivity	
DIMENSIONS: mm		CHK M. ZUCCA 04APR2011		
TOLERANCES UNLESS OTHERWISE SPECIFIED:		APVD G. TURCO 04APR2011	NAME	
0 PLC ±- 1 PLC ±0.3 2 PLC ±0.20 3 PLC ±- 4 PLC ±- ANGLES ±3°		PRODUCT SPEC	SOCKET CONNECTOR PCB VERSION NECTOR* M-LINE 5 POLES	
MATERIAL		FINISH	APPLICATION SPEC	RESTRICTED TO
			WEIGHT	SIZE CAGE CODE DRAWING NO
				A300779 C-293696
			Customer Drawing	SCALE 2:1 SHEET 1 OF 2 REV A

4

3

2

1

THIS DRAWING IS UNPUBLISHED.

RELEASED FOR PUBLICATION

2011

© COPYRIGHT 2011

ALL RIGHTS RESERVED.

LOC DIST

| -

REVISIONS

P	LTR	DESCRIPTION	DATE	DWN	APVD
-	-	SEE SHEET 1	-	-	-

POLARIZATION TYPES

POLARIZATION TYPE "A"

POLARIZATION TYPE "B"

POLARIZATION TYPE "C"

PN 0-293696-1

PN 0-293696-2

PN 0-293696-3

POLARIZATION TYPE "D"

POLARIZATION TYPE "E"

PN 0-293696-4

PN 0-293696-5

2.0 MAX

1.9

400V-20 A max

Ø 23.2 ± 0.1

WALL / PANEL

SCALE 1:1

	E	NATURAL	SOCKET PCB CONNECTOR, NECTOR* M-LINE 5 POLES	A	0-293696-5
	D	NATURAL	SOCKET PCB CONNECTOR, NECTOR* M-LINE 5 POLES	A	0-293696-4
	C	NATURAL	SOCKET PCB CONNECTOR, NECTOR* M-LINE 5 POLES	A	0-293696-3
	B	NATURAL	SOCKET PCB CONNECTOR, NECTOR* M-LINE 5 POLES	A	0-293696-2
	A	NATURAL	SOCKET PCB CONNECTOR, NECTOR* M-LINE 5 POLES	A	0-293696-1
NOTE	POL. KEYING	COLOUR	DESCRIPTION	REV.	PART NUMBER

THIS DRAWING IS A CONTROLLED DOCUMENT.

DIMENSIONS:
mm

TOLERANCES UNLESS OTHERWISE SPECIFIED:

0 PLC	±
1 PLC	±0.3
2 PLC	±0.20
3 PLC	±
4 PLC	±
ANGLES	±3°

MATERIAL

FINISH

DWN 04APR2011

M. ZUCCA

CHK 04APR2011

M. ZUCCA

APVD 04APR2011

G. TURCO

PRODUCT SPEC

-

APPLICATION SPEC

-

WEIGHT

-

Customer Drawing

04APR2011

04APR2011

04APR2011

-

-

-

-

-

-

-

-

-

-

NAME
SOCKET CONNECTOR PCB VERSION
NECTOR* M-LINE 5 POLES

SIZE	CAGE CODE	DRAWING NO	RESTRICTED TO
A3	00779	C-293696	-

SCALE	SHEET	OF	REV
2:1	2	2	A

TE Connectivity

1470-19 (3/11)