



Chipsmall Limited consists of a professional team with an average of over 10 year of expertise in the distribution of electronic components. Based in Hongkong, we have already established firm and mutual-benefit business relationships with customers from,Europe,America and south Asia,supplying obsolete and hard-to-find components to meet their specific needs.

With the principle of “Quality Parts,Customers Priority,Honest Operation,and Considerate Service”,our business mainly focus on the distribution of electronic components. Line cards we deal with include Microchip,ALPS,ROHM,Xilinx,Pulse,ON,Everlight and Freescale. Main products comprise IC,Modules,Potentiometer,IC Socket,Relay,Connector.Our parts cover such applications as commercial,industrial, and automotives areas.

We are looking forward to setting up business relationship with you and hope to provide you with the best service and solution. Let us make a better world for our industry!



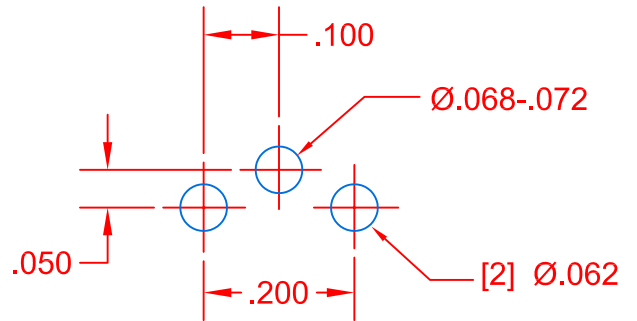
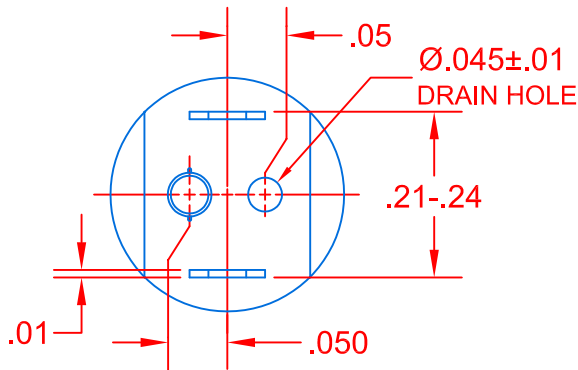
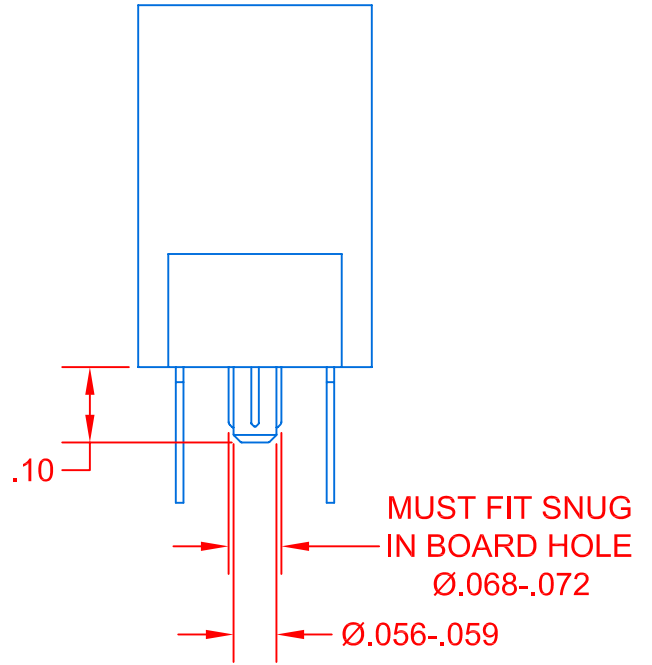
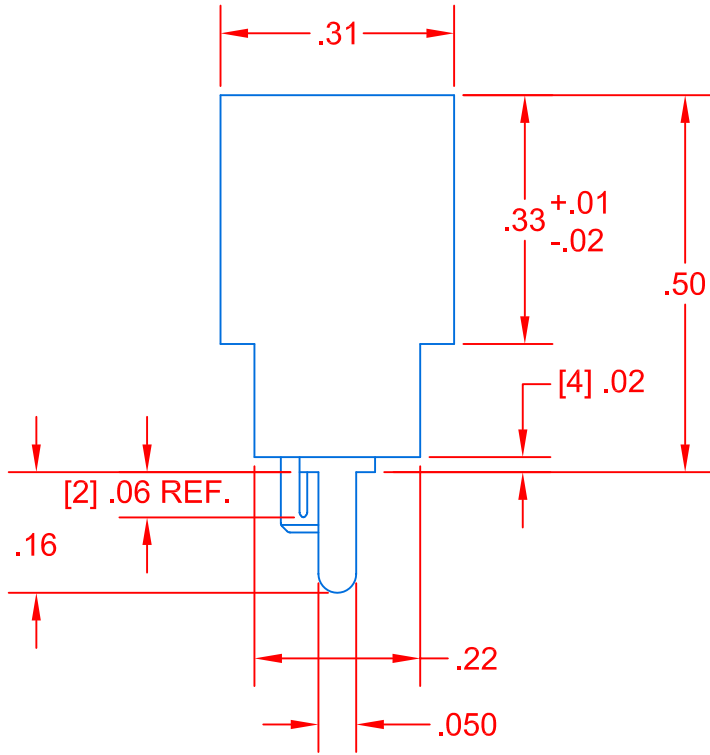
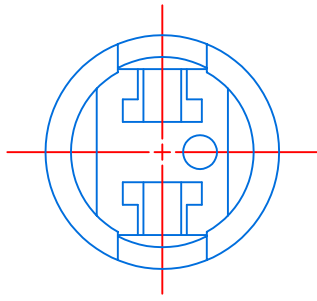
## Contact us

Tel: +86-755-8981 8866 Fax: +86-755-8427 6832

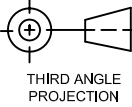
Email & Skype: info@chipsmall.com Web: www.chipsmall.com

Address: A1208, Overseas Decoration Building, #122 Zhenhua RD., Futian, Shenzhen, China





JKL PART NO.: 2937

			<b>METRIC</b>  THIRD ANGLE PROJECTION		DIMENSIONS ARE IN INCHES TOLERANCE UNLESS OTHERWISE SPECIFIED 2 PL +/- .01 3 PL +/- .005 HOLE VAR +/- .003		<b>JKL COMPONENTS CORPORATION</b> TITLE <b>T-1 3/4 WEDGE BASE SOCKET</b>					
CANCEL P-963-5, RELEASE TO CAD			10/28/05	DRAWN BY L. WENGSTROM	APPV'D BY LEW	DATE 10/28/05	SIZE <b>A</b>	FSCM NO. <b>55335</b>	DRAWING NO. <b>2937</b>			
REV. NO.	DESCRIPTION/ECO NUMBER	APPV'D DATE	- CAD DRAWING - MANUAL REVISIONS NOT PERMITTED				SCALE	NONE	RELEASED DATE	10/28/05	REVISION DATE	
											REV. NO.	SHEET 1 OF 1