



Chipsmall Limited consists of a professional team with an average of over 10 year of expertise in the distribution of electronic components. Based in Hongkong, we have already established firm and mutual-benefit business relationships with customers from,Europe,America and south Asia,supplying obsolete and hard-to-find components to meet their specific needs.

With the principle of “Quality Parts,Customers Priority,Honest Operation,and Considerate Service”,our business mainly focus on the distribution of electronic components. Line cards we deal with include Microchip,ALPS,ROHM,Xilinx,Pulse,ON,Everlight and Freescale. Main products comprise IC,Modules,Potentiometer,IC Socket,Relay,Connector.Our parts cover such applications as commercial,industrial, and automotives areas.

We are looking forward to setting up business relationship with you and hope to provide you with the best service and solution. Let us make a better world for our industry!



Contact us

Tel: +86-755-8981 8866 Fax: +86-755-8427 6832

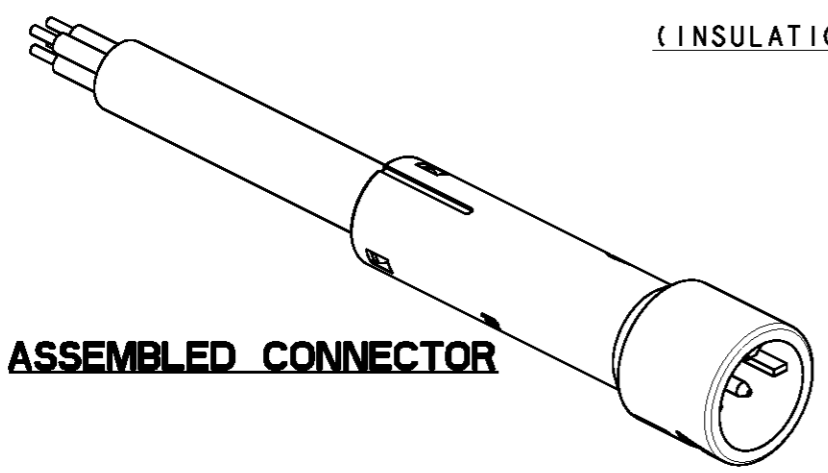
Email & Skype: info@chipsmall.com Web: www.chipsmall.com

Address: A1208, Overseas Decoration Building, #122 Zhenhua RD., Futian, Shenzhen, China



THIS DRAWING IS UNPUBLISHED. RELEASED FOR PUBLICATION 2010
 © COPYRIGHT 2010 BY TYCO ELECTRONICS CORPORATION. ALL RIGHTS RESERVED.

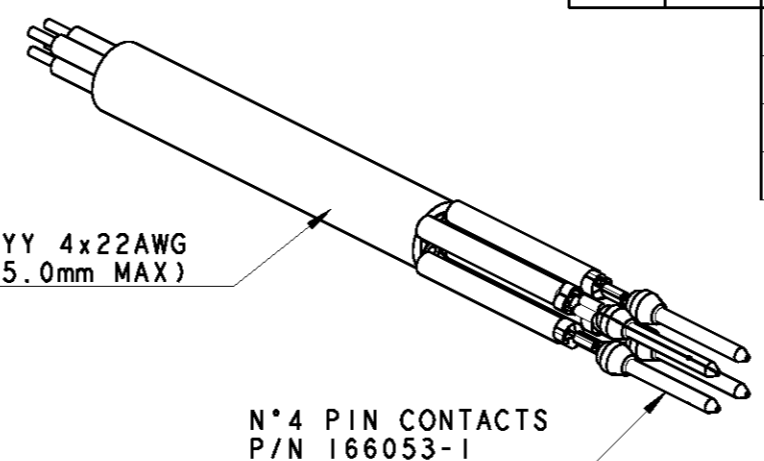
LOC	DIST	REVISIONS			
P	LTR	DESCRIPTION	DATE	DWN	APVD
1	-	A	FIRST ISSUE: DRAWING FOR U.S.A. VERSIONS	14MAY2010	D.C. G.T.
		AI	REVISED: CHANGED SALES CONDITIONS	30AUG2010	D.C. G.T.
		B	RELEASED FOR PRODUCTION	30NOV2010	D.C. G.T.



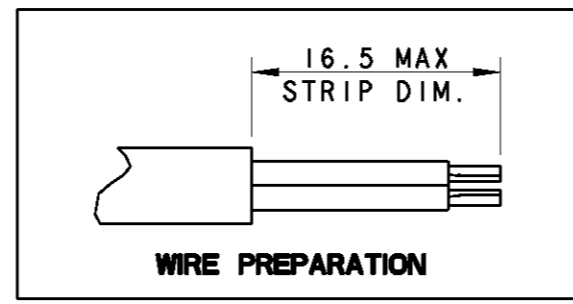
ASSEMBLED CONNECTOR

VOLTAGE: < 30V r.m.s. (42V PEAK)
 MAXIMUM CURRENT: 2A PER WAY (FULL LOADED)

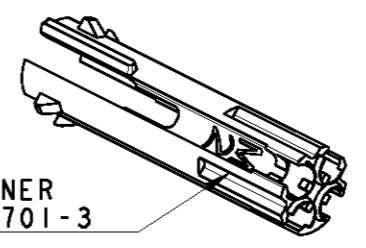
CABLE LiYY 4x22AWG
 (INSULATION DIAMETER 5.0mm MAX)



N°4 PIN CONTACTS
 P/N 166053-1



WIRE PREPARATION

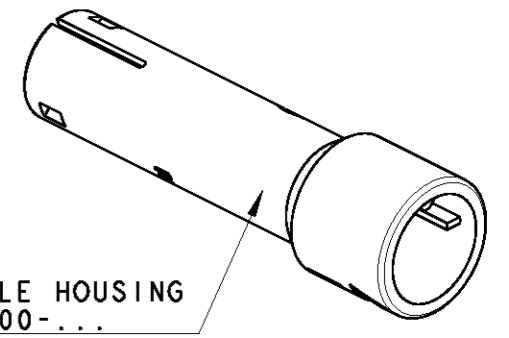


POSITIONER
 P/N 293701-3

MOUNTING OVERVIEW

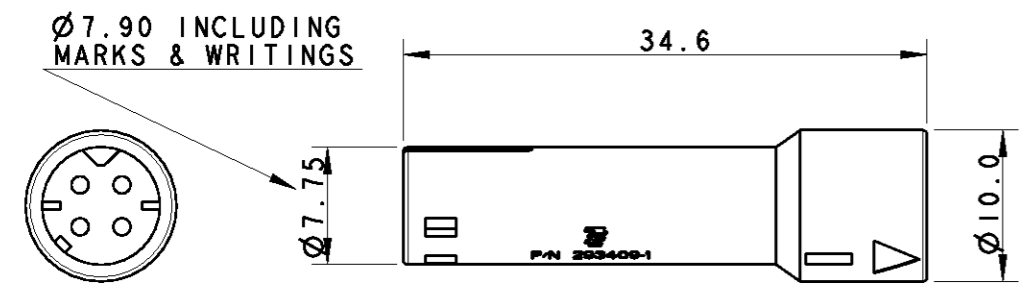
CONTACTS MUST BE MOUNTED ON THE POSITIONER BEFORE TO INSERT THEM INTO THE HOUSING. MOUNTING SHALL BE ACCORDING TO THE TYCO ELECTRONICS APPLICATION SPEC. 114-20147.

THE PRESENTED PRODUCT / DESIGN WILL BE RELEASED FOR THE MANUFACTURING OF THE NECESSARY PRODUCTION TOOLS HEREBY. FURTHER CHANGES HAS TO BE PAYED BY CUSTOMER.
 DATE, SIGN OF THE CUSTOMER



RECEPTACLE HOUSING
 P/N 293700-...

MALE HOUSING (N° 3 VERSIONS):
 - P/N 293700-1 (REV. B) IN WHITE COLOUR
 - P/N 293700-2 (REV. B) IN BLACK COLOUR
 - P/N 293700-3 (REV. B) IN GRAY COLOUR



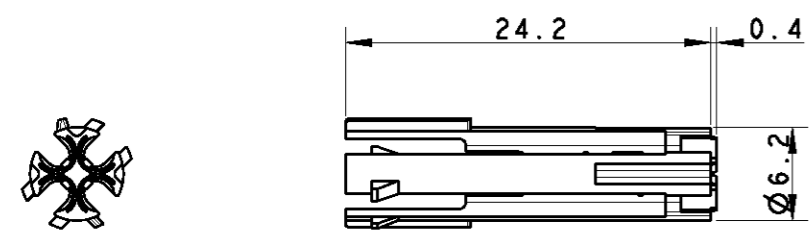
KEYING POLARIZATION FOR
 P/N 293700-1 (WHITE VERSION)
 AND FOR
 P/N 293700-2 (BLACK VERSIONS)

KEYING POLARIZATION FOR
 P/N 293700-3 (GRAY VERSION)

PACKAGING: N° 1500 PCS INTO CARTON BOX, ACCORDING TO PACKAGING SPEC. 107-20289.

MALE HOUSING P/N	POSITIONER P/N	PART NUMBER (KIT)	REV.
293700-3	293701-3	293703-3 (GRAY VERSION)	B
293700-2	293701-3	293703-2 (BLACK VERSION)	B
293700-1	293701-3	293703-1 (WHITE VERSION)	B

POSITIONER (N° 1 VERSION):
 - P/N 293701-3 (REV. B) IN GREY COLOUR



THIS DRAWING IS A CONTROLLED DOCUMENT FOR TYCO ELECTRONICS CORPORATION IT IS SUBJECT TO CHANGE AND THE CONTROLLING ENGINEERING ORGANIZATION SHOULD BE CONTACTED FOR THE LATEST REVISION.

DIMENSIONS:	TOLERANCES UNLESS OTHERWISE SPECIFIED:
mm	0 PLC ±0.5 1 PLC ±0.3 2 PLC ±0.2 3 PLC ± 4 PLC ± ANGLES ±
MATERIAL	FINISH
PLASTIC PARTS: PBT 15%GF	-

DWN	08APR2010
CHK	D. CHIARELLI
APVD	D. CHIARELLI
APVD	G. TURCO
PRODUCT SPEC	108-20309
APPLICATION SPEC	114-20147
WEIGHT	-
CUSTOMER DRAWING	

Tyco Electronics		Tyco Electronics AMP Italia S.r.l. C.so F.lli Cervi, 15 - Collegno (TO)	
NAME 4 POS. LOW VOLTAGE, FREE HANGING, MALE CONNECTOR FOR U.S.A. MARKET			
SIZE	CAGE CODE	DRAWING NO	RESTRICTED TO
A3	00779	C-293703	-
SCALE 2:1		SHEET 1	OF 1
		REV	B