



Chipsmall Limited consists of a professional team with an average of over 10 year of expertise in the distribution of electronic components. Based in Hongkong, we have already established firm and mutual-benefit business relationships with customers from,Europe,America and south Asia,supplying obsolete and hard-to-find components to meet their specific needs.

With the principle of "Quality Parts,Customers Priority,Honest Operation,and Considerate Service",our business mainly focus on the distribution of electronic components. Line cards we deal with include Microchip,ALPS,ROHM,Xilinx,Pulse,ON,Everlight and Freescale. Main products comprise IC,Modules,Potentiometer,IC Socket,Relay,Connector.Our parts cover such applications as commercial,industrial, and automotives areas.

We are looking forward to setting up business relationship with you and hope to provide you with the best service and solution. Let us make a better world for our industry!



Contact us

Tel: +86-755-8981 8866 Fax: +86-755-8427 6832

Email & Skype: info@chipsmall.com Web: www.chipsmall.com

Address: A1208, Overseas Decoration Building, #122 Zhenhua RD., Futian, Shenzhen, China



4

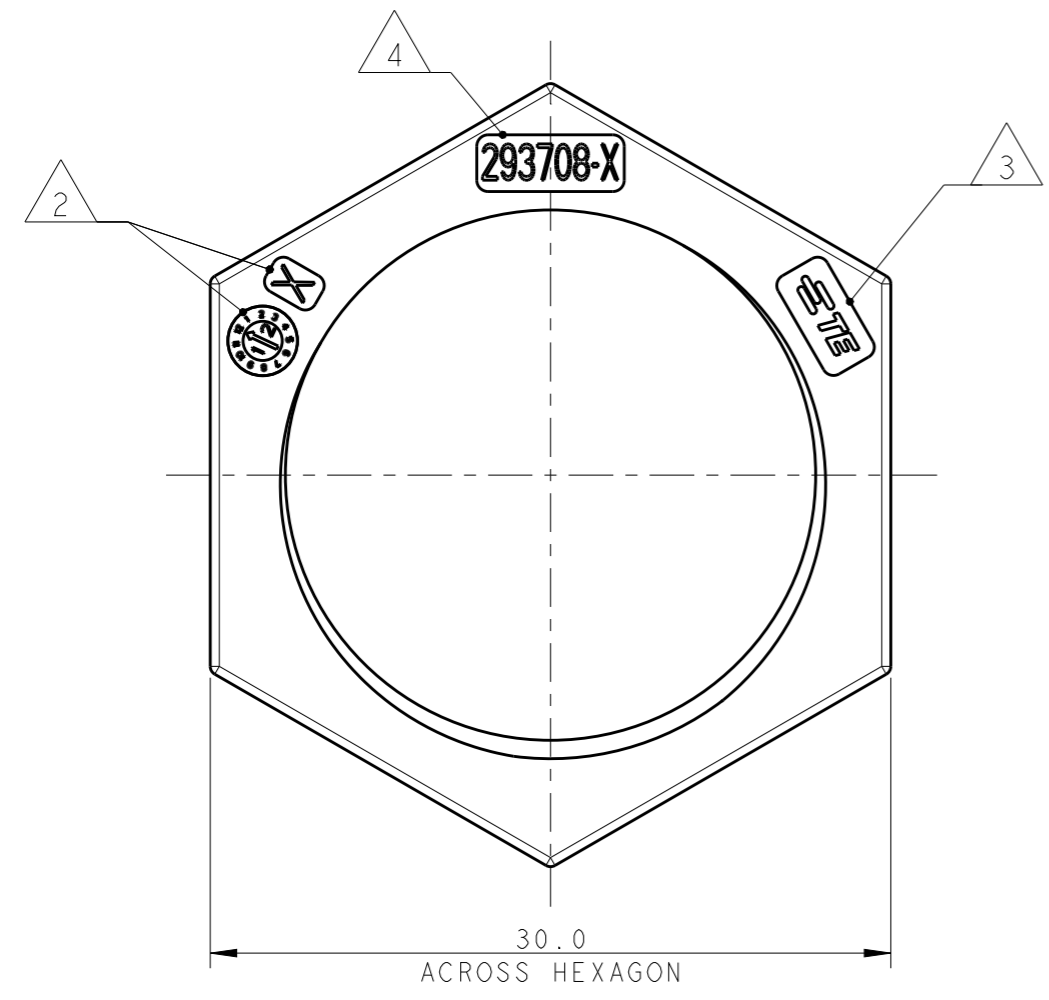
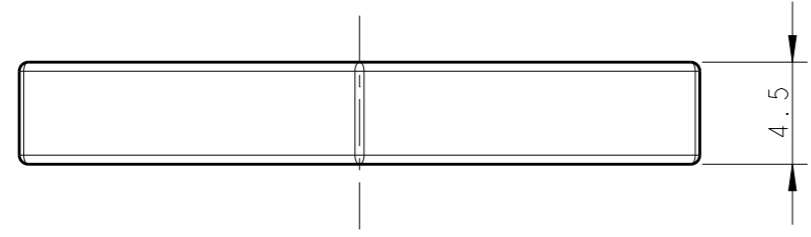
3

2

1

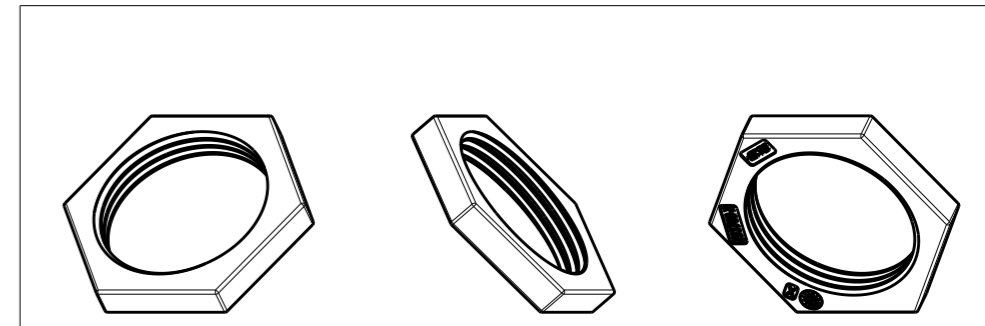
THIS DRAWING IS UNPUBLISHED. RELEASED FOR PUBLICATION 2011
 © COPYRIGHT 2011 ALL RIGHTS RESERVED.

LOC	DIST	REVISIONS			
P	LTR	DESCRIPTION	DATE	DWN	APVD
	3	PN CHANGED ON TABLE	22JUL2011	AB	GT
	A	RELEASED ACC. TO ECR-11-021683	25OCT2011	AB	GT
	A1	PART RELEASED FOR PRODUCTION	15NOV2013	KR	JC
	A2	REVISED	24DEC2013	KR	JC



- NOTE:
- 1 MATERIAL: PA GF (NATURAL AND BLACK COLOUR)
 - 2 DATE CLOCK AND MOULD IMPRESSION ID
 - 3 AREA FOR TE LOGO
 - 4 TE PART NUMBER

NOTE	COLOUR	DESCRIPTION	REV.	PART NUMBER
1	BLACK	SCREW NUT FOR PANEL MOUNT NECTOR* M-LINE 5, 6, 7 POLES	A	1-293708-1
1	NATURAL	SCREW NUT FOR PANEL MOUNT NECTOR* M-LINE 5, 6, 7 POLES	A	293708-1



SCALE 1:1

THIS DRAWING IS A CONTROLLED DOCUMENT.		DWN A. BERNARDI 21 JAN 2011	TE Connectivity	
DIMENSIONS: mm		CHK M. ZUCCA 21 JAN 2011		
TOLERANCES UNLESS OTHERWISE SPECIFIED:		APVD G. TURCO 21 JAN 2011	NAME SCREW NUT 5,6,7 POLES FOR PANEL MOUNT VERSION M-LINE NECTOR	
		PRODUCT SPEC 108-20324	RESTRICTED TO	
0 PLC ± 1 PLC ±0.3 2 PLC ±0.20 3 PLC ± 4 PLC ± ANGLES ±3°		APPLICATION SPEC 114-20169	SIZE A300779	DRAWING NO C-293708
MATERIAL	FINISH	WEIGHT	SCALE 3:1 SHEET 1 OF 1 REV A2	
		Customer Drawing		