



Chipsmall Limited consists of a professional team with an average of over 10 year of expertise in the distribution of electronic components. Based in Hongkong, we have already established firm and mutual-benefit business relationships with customers from,Europe,America and south Asia,supplying obsolete and hard-to-find components to meet their specific needs.

With the principle of “Quality Parts,Customers Priority,Honest Operation,and Considerate Service”,our business mainly focus on the distribution of electronic components. Line cards we deal with include Microchip,ALPS,ROHM,Xilinx,Pulse,ON,Everlight and Freescale. Main products comprise IC,Modules,Potentiometer,IC Socket,Relay,Connector.Our parts cover such applications as commercial,industrial, and automotives areas.

We are looking forward to setting up business relationship with you and hope to provide you with the best service and solution. Let us make a better world for our industry!



Contact us

Tel: +86-755-8981 8866 Fax: +86-755-8427 6832

Email & Skype: info@chipsmall.com Web: www.chipsmall.com

Address: A1208, Overseas Decoration Building, #122 Zhenhua RD., Futian, Shenzhen, China



THIS DRAWING IS UNPUBLISHED.

RELEASED FOR PUBLICATION

2010

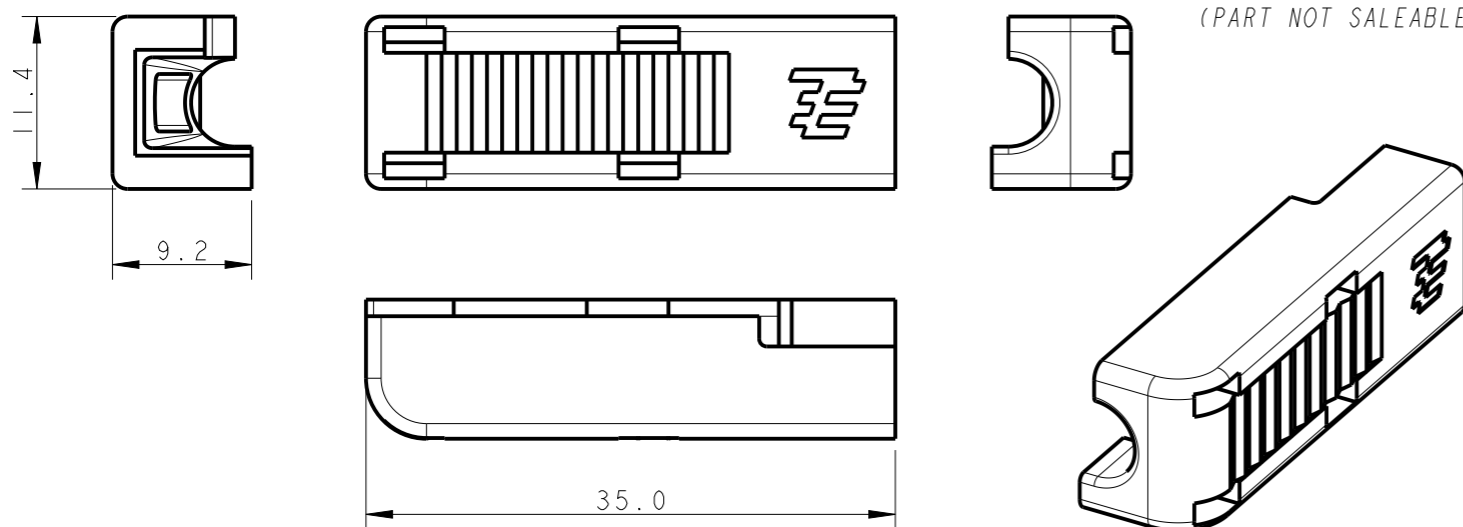
© COPYRIGHT 2010 BY -

ALL RIGHTS RESERVED.

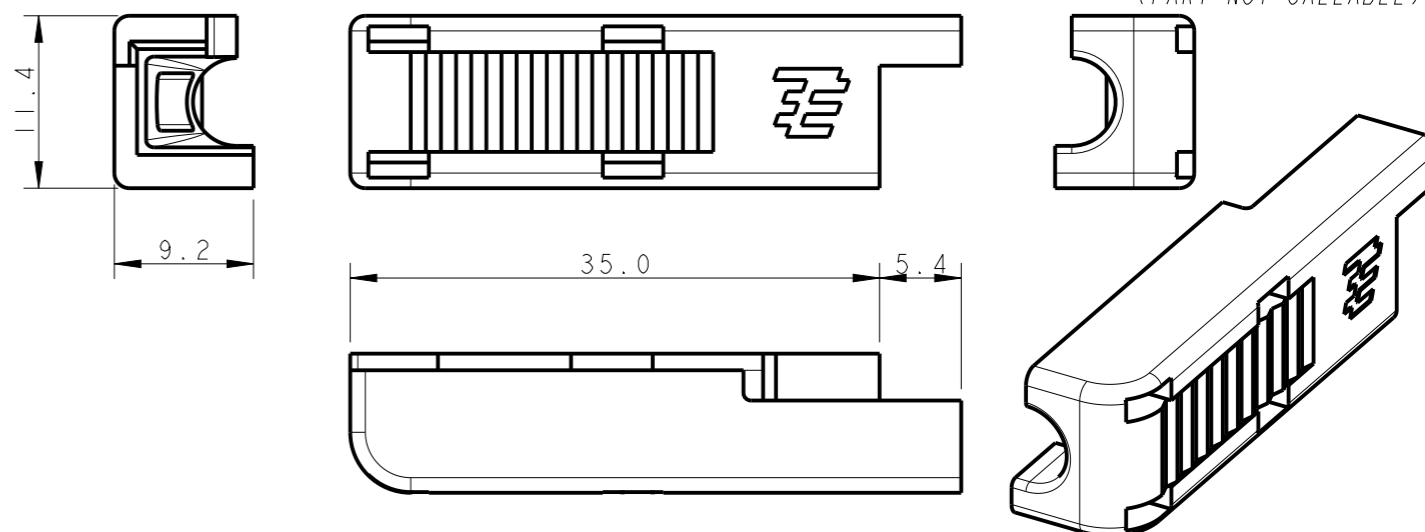
REVISIONS

P	LTR	DESCRIPTION	DATE	DWN	APVD
2		REVISED: GEOMETRY IMPROVEMENTS	02SEP2010	DC	GT
3		REVISED: ADDED PARTS WITH POLARIZATIONS	08NOV2010	DC	GT
A		RELEASE FOR PRODUCTION OF P/N 293736-1	26NOV2010	DC	GT
AI		REVISED PER ECR-14-006523	12MAY2014	RS	DD

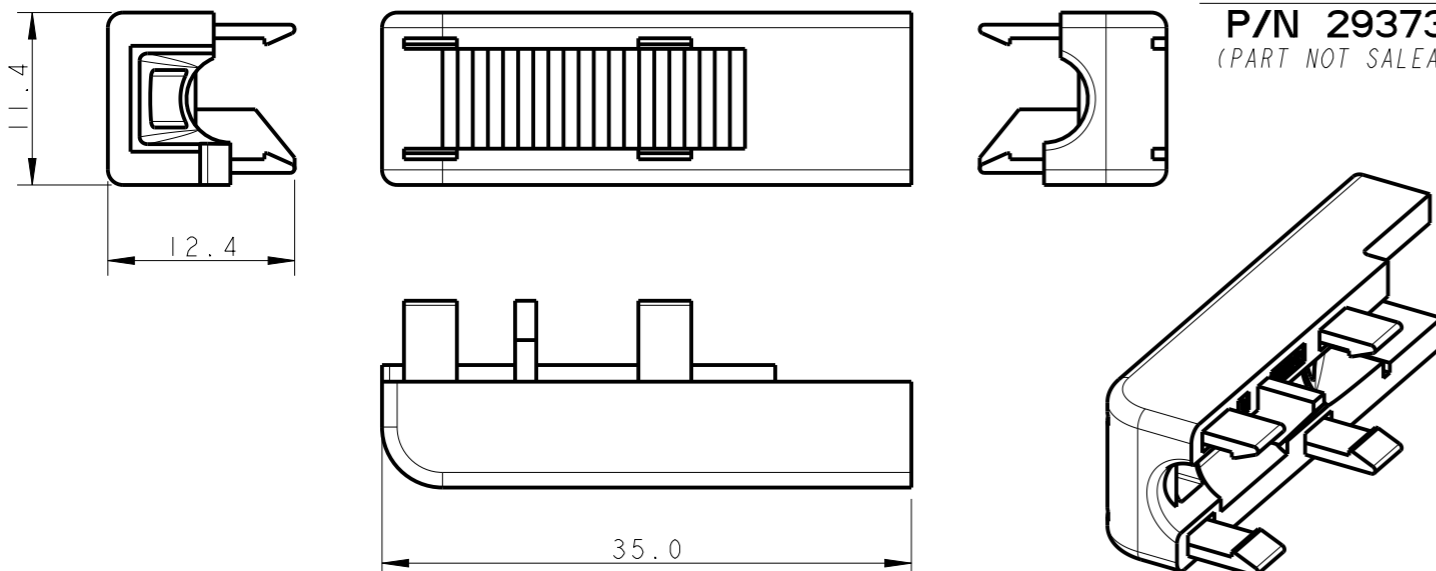
COVERPART "A"
P/N 293730-1
(PART NOT SALEABLE)



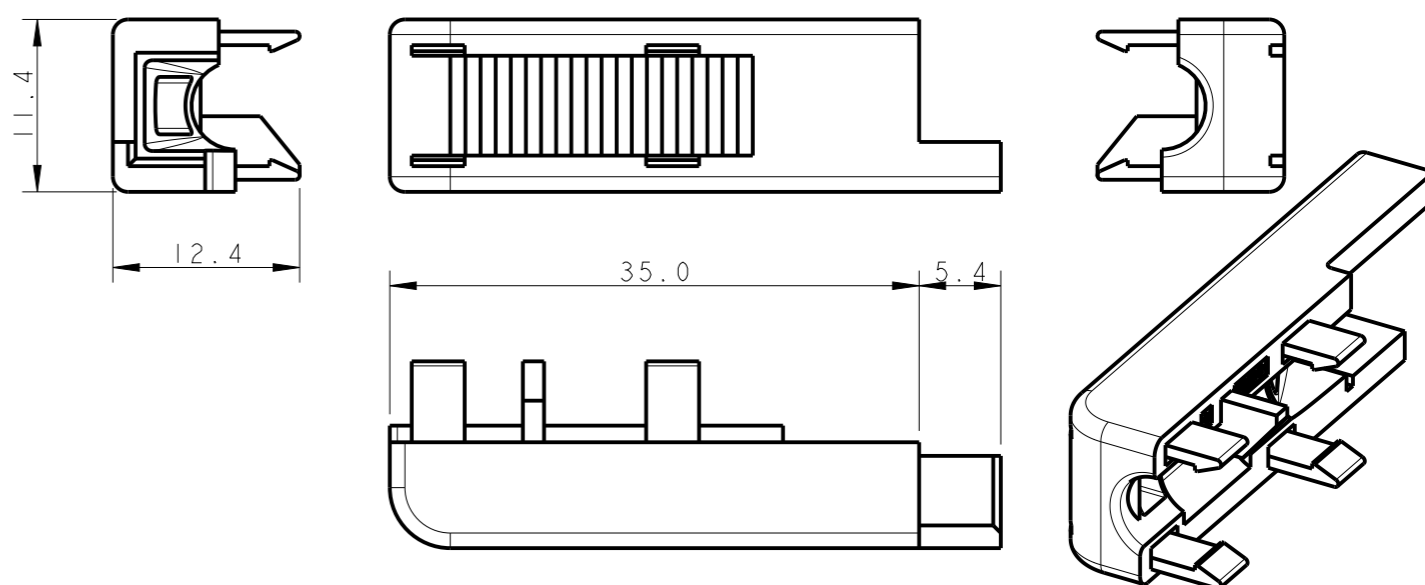
COVERPART "A"
P/N 293730-2
(PART NOT SALEABLE)



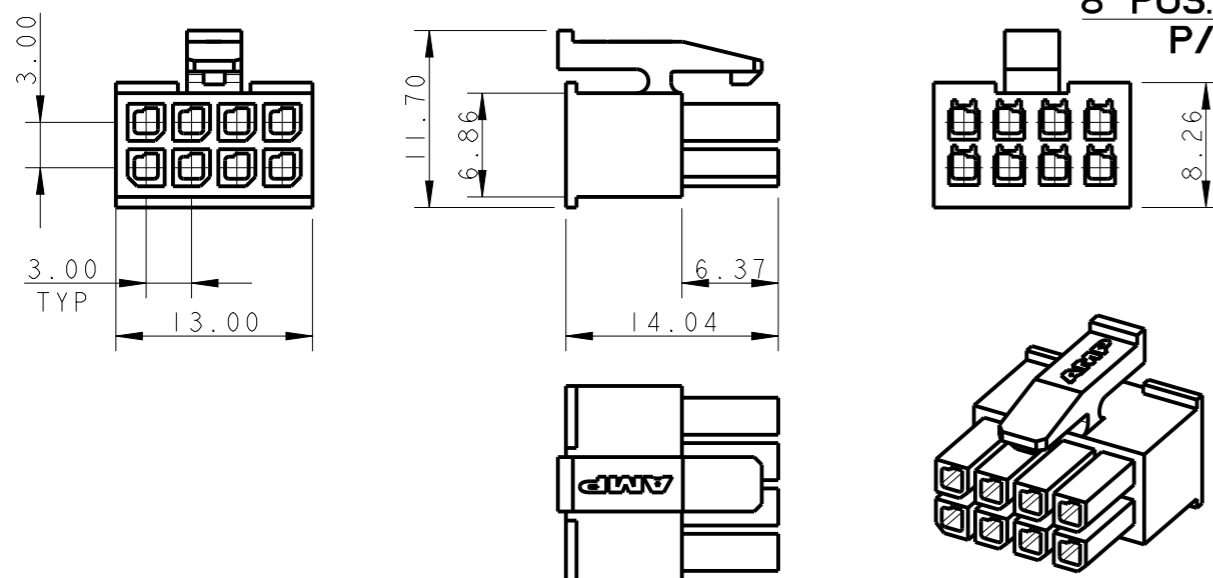
COVERPART "B"
P/N 293731-1
(PART NOT SALEABLE)



COVERPART "B"
P/N 293731-2
(PART NOT SALEABLE)



8 POS. PLUG HOUSING
P/N 794617-8



THIS DRAWING IS A CONTROLLED DOCUMENT.

DIMENSIONS: mm	
MATERIAL NYLON, UL94-V0 BLACK	

TOLERANCES UNLESS OTHERWISE SPECIFIED:	
0 PLC	±0.5
1 PLC	±0.3
2 PLC	±0.2
3 PLC	±
4 PLC	±
ANGLES	±°
FINISH	
-	-

DWN	23JUN2010
CHK	D. CHIARELLI
APVD	23JUN2010
	D. CHIARELLI
	G. TURCO
PRODUCT SPEC	108-20314
APPLICATION SPEC	114-20157
WEIGHT	-
Customer Drawing	

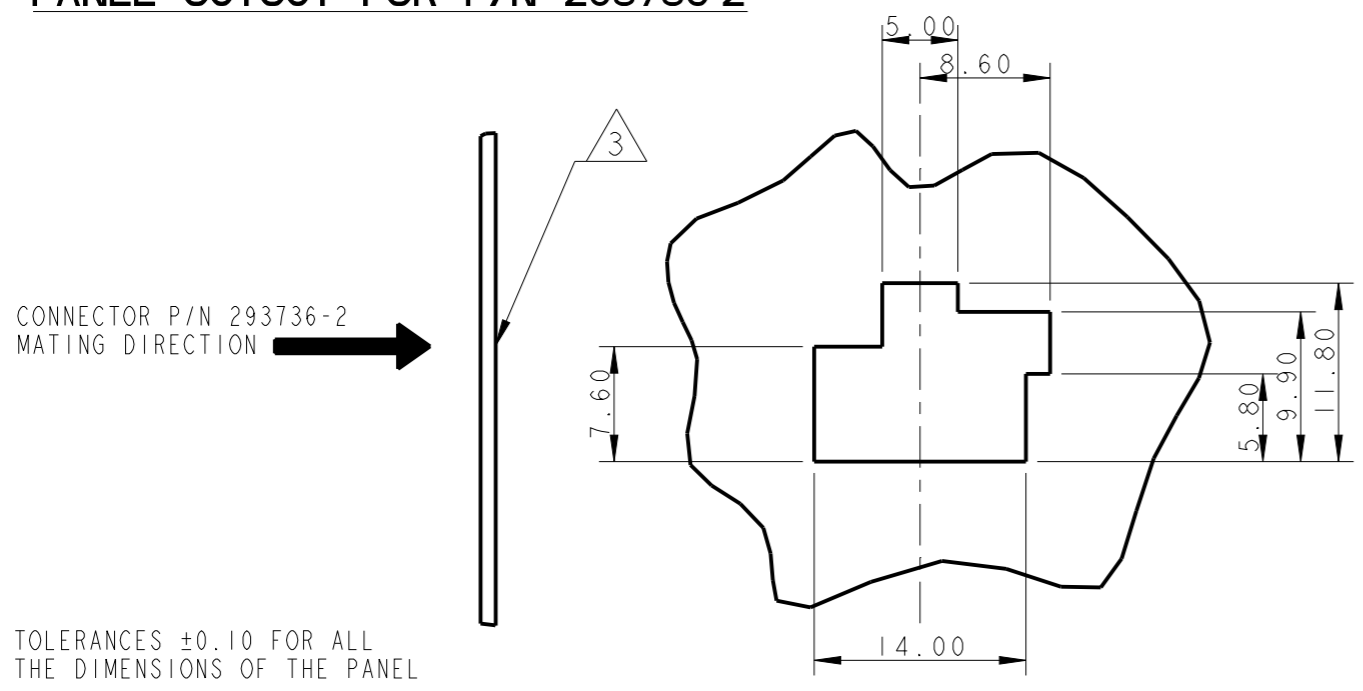


NAME 8 POS. COVERPART FOR 8 POS. MICRO MATE-N-LOK PLUG HOUSING P/N 794617-8			
SIZE	CAGE CODE	DRAWING NO	RESTRICTED TO
A3	00779	C-293736	-
SCALE		SHEET	REV
2:1		1 OF 2	AI

REVISIONS

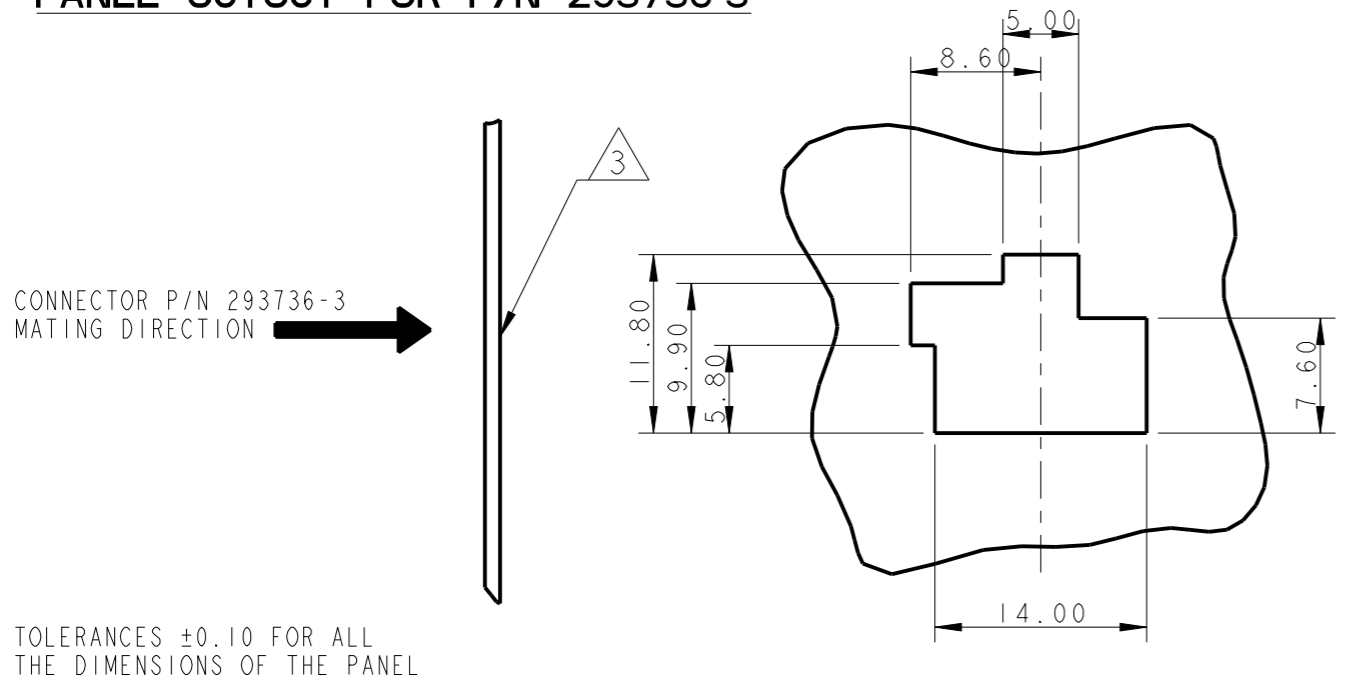
P	LTR	DESCRIPTION	DATE	DWN	APVD
-	-	SEE SHEET 1	-	-	-

PANEL CUTOUT FOR P/N 293736-2

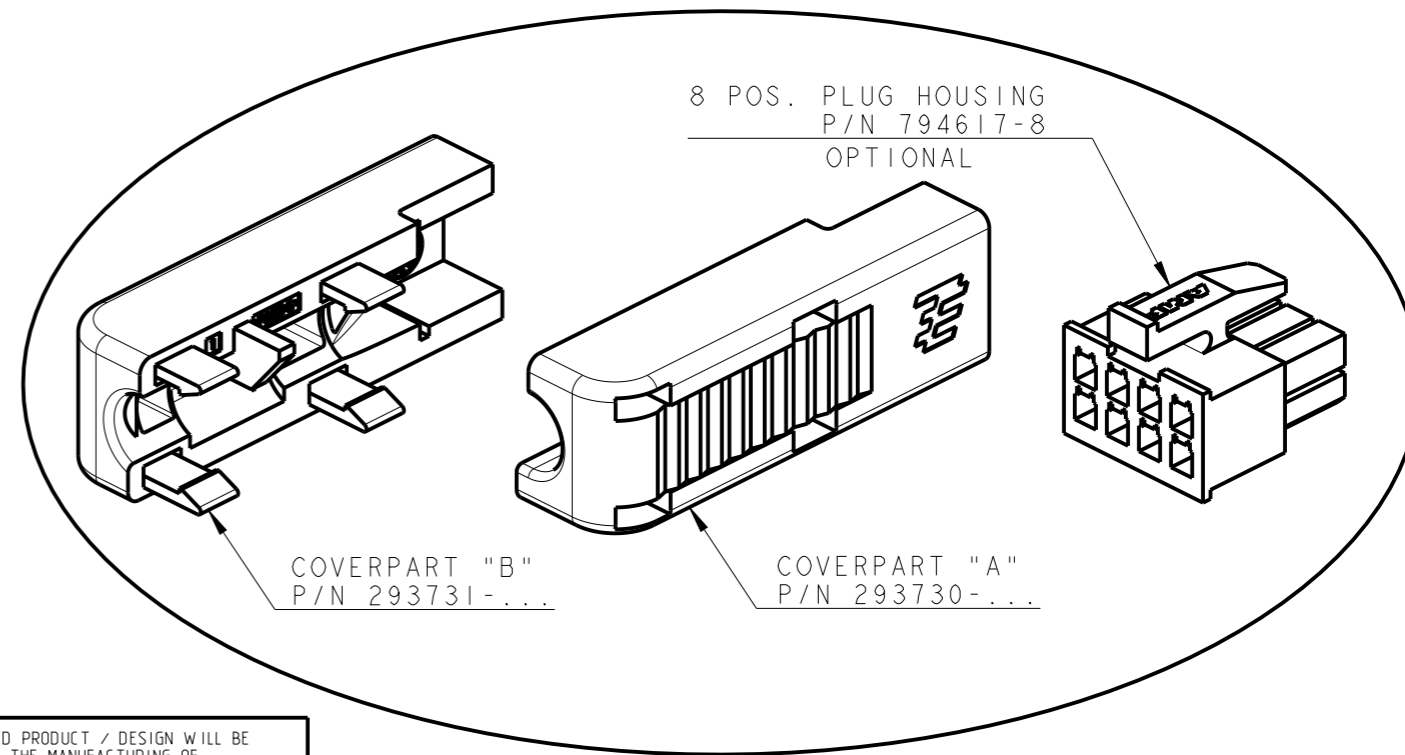


TOLERANCES ±0.10 FOR ALL THE DIMENSIONS OF THE PANEL

PANEL CUTOUT FOR P/N 293736-3



TOLERANCES ±0.10 FOR ALL THE DIMENSIONS OF THE PANEL



THE PRESENTED PRODUCT / DESIGN WILL BE RELEASED FOR THE MANUFACTURING OF THE NECESSARY PRODUCTION TOOLS HEREBY. FURTHER CHANGES HAS TO BE PAID BY CUSTOMER.

DATE: SIGN OF THE CUSTOMER

8 POS. COVERPART P/N 293736-...

- PACKAGING: CARTON BOX CONTAINING:
 - N°500 PIECES OF COVERPART "A" P/N 293730-...
 - N°500 PIECES OF COVERPART "B" P/N 293731-...
 - N°500 PLUG HOUSINGS P/N 794617-8
- ADMITTED CABLES MUST HAVE EXTERNAL DIAMETER OF 5,6±0,2mm AND MUST BE OF THE FOLLOWING TYPE:
 - LiYY 8x0.25mm² (MAX. N°8 CONTACTS P/N 794606-1 MUST BE CRIMPED ON THIS CABLE)
 - HELUKABEL DATAFLAMM 10x0,14mm² / 52307 350V HALOGEN FREE (MAX. N°8 CONTACTS P/N 794607-1 MUST BE CRIMPED ON THIS CABLE).

ON THIS SIDE OF THE PANEL THERE IS THE COUNTERPART CONNECTOR, TYCO ELECTRONICS P/N 794639-8

NOT RELEASED FOR PRODUCTION

-	293731-1	293730-1	293736-4	4
794617-8	293731-2	293730-1	293736-3 (POLARIZED VERSION 2)	4
794617-8	293731-1	293730-2	293736-2 (POLARIZED VERSION 1)	4
794617-8	293731-1	293730-1	293736-1 (STANDARD VERSION)	
8 POS. PLUG HOUSING	COVERPART "B"	COVERPART "A"	PART NUMBER	
COMPONENTS				

THIS DRAWING IS A CONTROLLED DOCUMENT.

DIMENSIONS:	TOLERANCES UNLESS OTHERWISE SPECIFIED:
mm	
	0 PLC ±0.5
	1 PLC ±0.3
	2 PLC ±0.2
	3 PLC ±
	4 PLC ±
	ANGLES ±°
MATERIAL	FINISH
	-
	-

DWN	23JUN2010
D. CHIARELLI	
CHK	23JUN2010
D. CHIARELLI	
APVD	23JUN2010
G. TURCO	
PRODUCT SPEC	108-20314
APPLICATION SPEC	114-20157
WEIGHT	-
Customer Drawing	



NAME			
8 POS. COVERPART FOR 8 POS. MICRO MATE-N-LOK PLUG HOUSING P/N 794617-8			
SIZE	CAGE CODE	DRAWING NO	RESTRICTED TO
A3	00779	C-293736	-
SCALE		SHEET	REV
2:1		2 OF 2	A1