



Chipsmall Limited consists of a professional team with an average of over 10 year of expertise in the distribution of electronic components. Based in Hongkong, we have already established firm and mutual-benefit business relationships with customers from,Europe,America and south Asia,supplying obsolete and hard-to-find components to meet their specific needs.

With the principle of “Quality Parts,Customers Priority,Honest Operation,and Considerate Service”,our business mainly focus on the distribution of electronic components. Line cards we deal with include Microchip,ALPS,ROHM,Xilinx,Pulse,ON,Everlight and Freescale. Main products comprise IC,Modules,Potentiometer,IC Socket,Relay,Connector.Our parts cover such applications as commercial,industrial, and automotives areas.

We are looking forward to setting up business relationship with you and hope to provide you with the best service and solution. Let us make a better world for our industry!



Contact us

Tel: +86-755-8981 8866 Fax: +86-755-8427 6832

Email & Skype: info@chipsmall.com Web: www.chipsmall.com

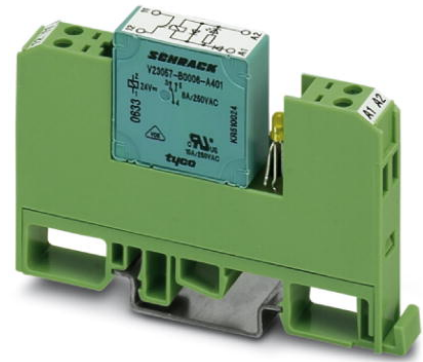
Address: A1208, Overseas Decoration Building, #122 Zhenhua RD., Futian, Shenzhen, China



EMG 10-REL/KSR-G 24/ 1-LC AU

Order No.: 2940087

The illustration shows version EMG 10-REL/KSR-G 24/1-LC AU, with soldered-in miniature switching relay



<http://eshop.phoenixcontact.de/phoenix/treeViewClick.do?UID=2940087>

Relay module, with soldered-in miniature switching relay, gold contact for small loads, 1 N/O contact, input voltage 24 V DC

Commercial data

| | |
|--------------------------|--------------------|
| EAN | 4017918079857 |
| Pack | 10 pcs. |
| Customs tariff | 85364190 |
| Weight/Piece | 0.03768 KG |
| Catalog page information | Page 123 (IF-2009) |

Product notes

WEEE/RoHS-compliant since:
10/17/2006



<http://www.download.phoenixcontact.com>
Please note that the data given here has been taken from the online catalog. For comprehensive information and data, please refer to the user documentation. The General Terms and Conditions of Use apply to Internet downloads.

Technical data

Coil side

| | |
|---|-------------|
| Nominal input voltage U_N | 24 V DC |
| Input voltage range in reference to U_N | 0.8 ... 1.1 |
| Nominal input current at U_{IN} | 21 mA |
| Typical response time | 7 ms |
| Typical release time | 11 ms |

| | |
|------------------------------|---------------------------|
| Operating voltage display | Yellow LED |
| Name of protection | Polarity protection |
| Protective circuit/component | Polarity protection diode |

Contact side

| | |
|---------------------------------------|---|
| Contact type | Double contact, 1 N/O contact |
| Contact material | AgPd60 5 µm hard gold-plated |
| Maximum switching voltage | 30 V AC 36 V DC |
| Maximum inrush current | 0.2 A |
| Limiting continuous current | 0.5 A |
| Interrupting rating (ohmic load) max. | 5 W (for 24 V DC) |
| Note | the following values are applicable if a gold layer is destroyed |
| Maximum switching voltage | 125 V AC |
| Limiting continuous current | 2 A |
| Maximum inrush current | 2 A |
| Interrupting rating (ohmic load) max. | 29 W (for 24 V DC) 29 W (for 48 V DC) 29 W (for 60 V DC) |

General data

| | |
|--|---|
| Width | 10.6 mm |
| Height | 53.5 mm |
| Depth | 75 mm |
| Test voltage relay winding/relay contact | 4 kV AC (50 Hz, 1 min) |
| Ambient temperature (operation) | -20 °C ... 40 °C |
| Ambient temperature (storage/transport) | -20 °C ... 70 °C |
| Operating mode | 100% operating factor |
| Service life mechanical | Approx. 2×10^7 cycles |
| Standards/regulations | IEC 60664 IEC 60664 A DIN VDE 0110 DIN EN 50178/DIN VDE 0160 (in relevant parts) Basic insulation |
| Pollution degree | 2 |
| Surge voltage category | III |

| | |
|-----------------------|---------------------------|
| Mounting position | Any |
| Assembly instructions | In rows with zero spacing |

Connection data

| | |
|--|---------------------|
| Type of connection | Screw connection |
| Conductor cross section solid min. | 0.2 mm ² |
| Conductor cross section solid max. | 4 mm ² |
| Conductor cross section stranded min. | 0.2 mm ² |
| Conductor cross section stranded max. | 2.5 mm ² |
| Conductor cross section AWG/kcmil min. | 24 |
| Conductor cross section AWG/kcmil max | 12 |
| Stripping length | 8 mm |
| Screw thread | M3 |

Certificates / Approvals



Certification CUL, GOST, UL

Accessories

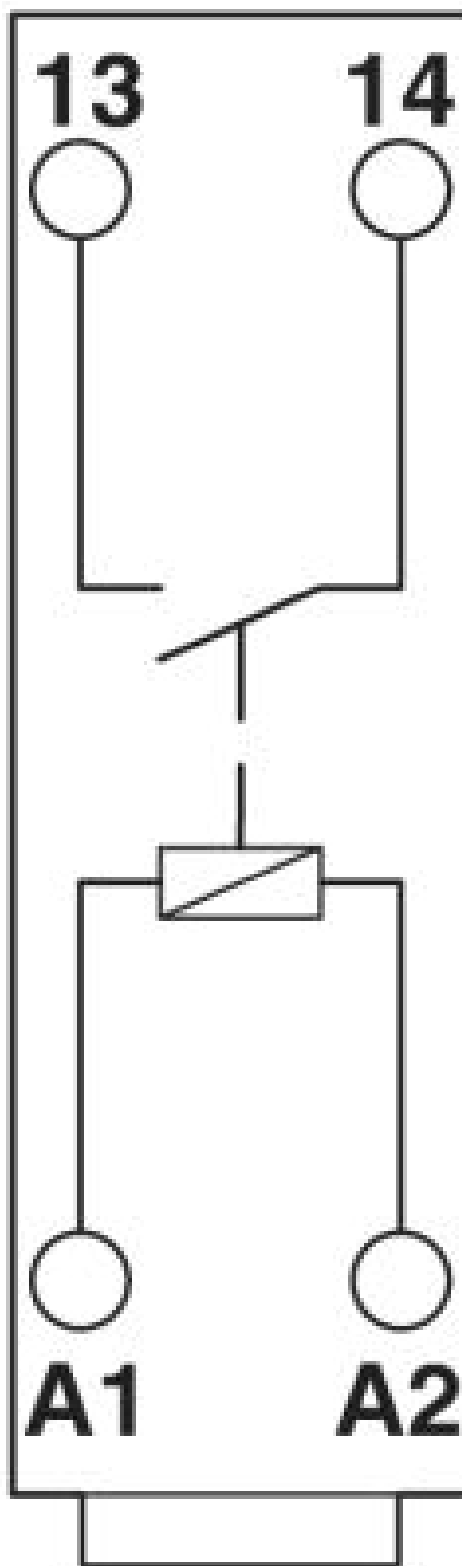
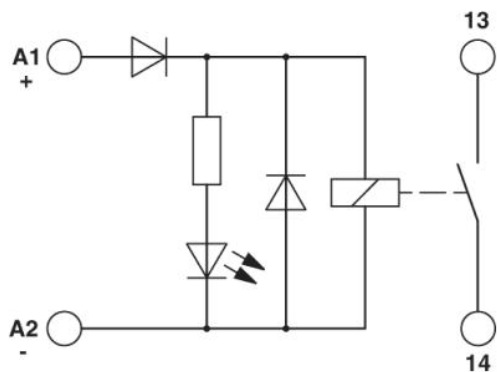
| Item | Designation | Description |
|---------|-------------|--------------------------|
| 2947585 | EMG-SGKS 10 | Equipment marker, narrow |

Marking

| | | |
|---------|-------------|--------------------------|
| 2947585 | EMG-SGKS 10 | Equipment marker, narrow |
|---------|-------------|--------------------------|

Diagrams/Drawings

Circuit diagram



Address

PHOENIX CONTACT Inc., USA
586 Fulling Mill Road
Middletown, PA 17057, USA
Phone (800) 888-7388
Fax (717) 944-1625
<http://www.phoenixcon.com>



© 2010 Phoenix Contact
Technical modifications reserved;