



Chipsmall Limited consists of a professional team with an average of over 10 year of expertise in the distribution of electronic components. Based in Hongkong, we have already established firm and mutual-benefit business relationships with customers from,Europe,America and south Asia,supplying obsolete and hard-to-find components to meet their specific needs.

With the principle of “Quality Parts,Customers Priority,Honest Operation,and Considerate Service”,our business mainly focus on the distribution of electronic components. Line cards we deal with include Microchip,ALPS,ROHM,Xilinx,Pulse,ON,Everlight and Freescale. Main products comprise IC,Modules,Potentiometer,IC Socket,Relay,Connector.Our parts cover such applications as commercial,industrial, and automotives areas.

We are looking forward to setting up business relationship with you and hope to provide you with the best service and solution. Let us make a better world for our industry!



Contact us

Tel: +86-755-8981 8866 Fax: +86-755-8427 6832

Email & Skype: info@chipsmall.com Web: www.chipsmall.com

Address: A1208, Overseas Decoration Building, #122 Zhenhua RD., Futian, Shenzhen, China




EMG 50-LG/O

Order No.: 2940870

The illustration shows EMG 50-LG, with closed terminal space

<http://eshop.phoenixcontact.de/phoenix/treeViewClick.do?UID=2940870>Electronic housing, for PCB insertion, without screw connection
terminal blocks and cover, with open terminal space

Commercial data	
GTIN (EAN)	 4 017918 080273
Note	Made-to-order
sales group	F001
Pack	5 pcs.
Customs tariff	85472000
Catalog page information	Page 547 (CC-2009)

Product notesWEEE/RoHS-compliant since:
04/04/2005

<http://www.download.phoenixcontact.com>
Please note that the data given here has been taken from the online catalog. For comprehensive information and data, please refer to the user documentation. The General Terms and Conditions of Use apply to Internet downloads.

Technical data**General**

Housing type	Component housing
Housing material	Polycarbonate fiber reinforced
Color	green

Dimensions / positions

Length	75 mm
Width	50 mm

Technical data

Ambient temperature (operation)	-40 °C ... 125 °C
Inflammability class acc. to UL 94	V0
Power dissipation at 20°C in the horizontal mounting position	2.3 W 2.6 W 7.5 mm
	2.8 W 3.4 W 15 mm
	4.7 W 6 W 52 mm

Connection data

Conductor cross section solid min.	0.2 mm ²
Conductor cross section solid max.	4 mm ²
Conductor cross section stranded min.	0.2 mm ²
Conductor cross section stranded max.	2.5 mm ²
Conductor cross section AWG/kcmil min.	24
Conductor cross section AWG/kcmil max	12

Accessories

Item	Designation	Description
2941510	EMG-KA	Terminal block/screw cover, set consisting of 50 strips each for terminal blocks and screw openings, 1 strip covers 12 terminal points.
2941510	EMG-KA	Terminal block/screw cover, set consisting of 50 strips each for terminal blocks and screw openings, 1 strip covers 12 terminal points.

General

2947255	P 1-EMG 50	PCB for assembling electronic components
---------	------------	--

Marking

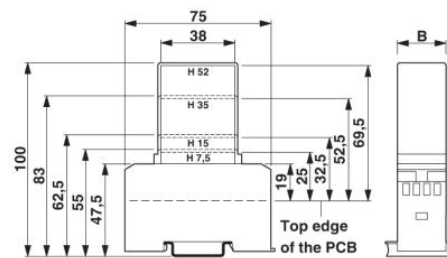
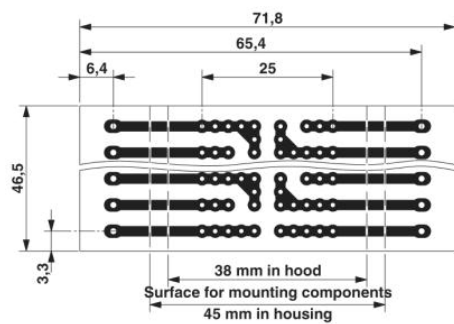
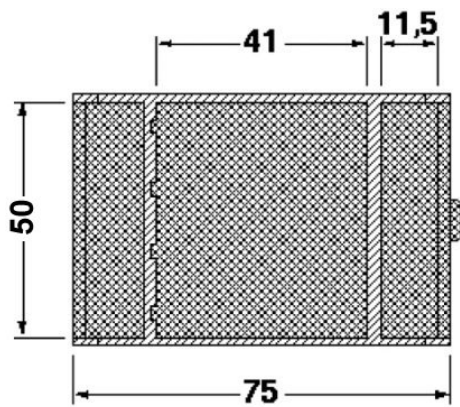
2947035	EMG-GKS 12	Equipment marker, width 12 mm
2947035	EMG-GKS 12	Equipment marker, width 12 mm
2941594	EMG-GKS 22	Equipment marker tag, width 22 mm
2941594	EMG-GKS 22	Equipment marker tag, width 22 mm

Additional products

Item	Designation	Description
Assembly		
2947925	EMG 50-H 7,5MM KLAR	Covering hood, for the contact and dust-protected encapsulation of the components, in transparent design. Height: 7.5 mm, width: 50 mm
2947938	EMG 50-H 15MM KLAR	Covering hood, for the contact and dust-protected encapsulation of the components, in transparent design. Height: 15 mm, width: 50 mm
2947941	EMG 50-H 52MM GN	Covering hood, for the contact and dust-protected encapsulation of the components, in green design. Height: 52 mm, width: 50 mm

Diagrams/Drawings

Dimensioned drawing



1 = Top edge of the PCB
 B = Housing width

EMG 50-LG/O Order No.: 2940870

<http://eshop.phoenixcontact.de/phoenix/treeViewClick.do?UID=2940870>

Address

PHOENIX CONTACT Deutschland GmbH
Flachmarktstr. 8
32825 Blomberg, Germany
Phone +49 5235 3 12000
Fax +49 5235 3 41200
<http://www.phoenixcontact.de>



© 2011 Phoenix Contact
Technical modifications reserved;