



Chipsmall Limited consists of a professional team with an average of over 10 year of expertise in the distribution of electronic components. Based in Hongkong, we have already established firm and mutual-benefit business relationships with customers from,Europe,America and south Asia,supplying obsolete and hard-to-find components to meet their specific needs.

With the principle of “Quality Parts,Customers Priority,Honest Operation,and Considerate Service”,our business mainly focus on the distribution of electronic components. Line cards we deal with include Microchip,ALPS,ROHM,Xilinx,Pulse,ON,Everlight and Freescale. Main products comprise IC,Modules,Potentiometer,IC Socket,Relay,Connector.Our parts cover such applications as commercial,industrial, and automotives areas.

We are looking forward to setting up business relationship with you and hope to provide you with the best service and solution. Let us make a better world for our industry!



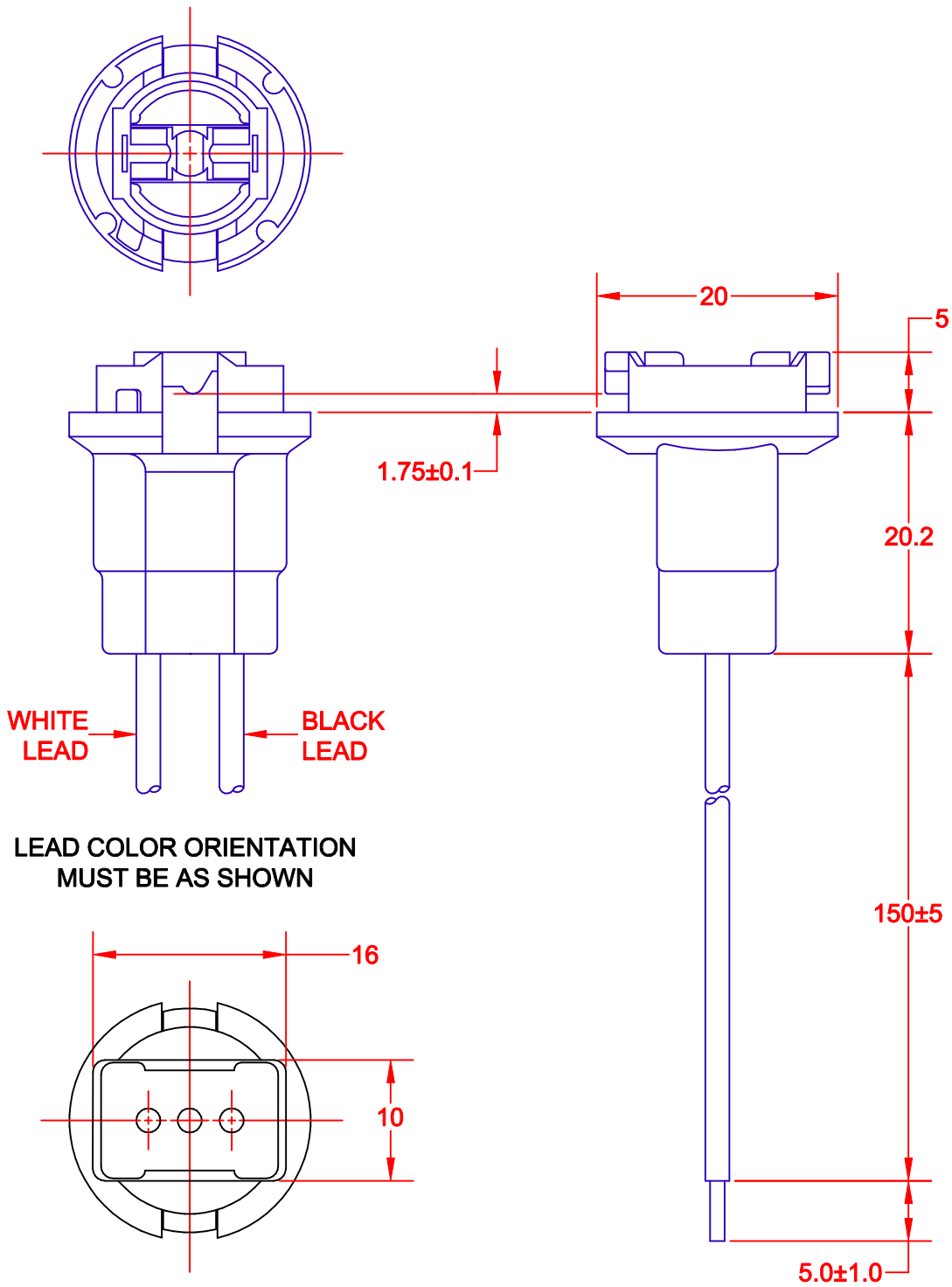
## Contact us

Tel: +86-755-8981 8866 Fax: +86-755-8427 6832

Email & Skype: info@chipsmall.com Web: www.chipsmall.com

Address: A1208, Overseas Decoration Building, #122 Zhenhua RD., Futian, Shenzhen, China



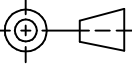


LEAD COLOR ORIENTATION  
MUST BE AS SHOWN

JKL PART NO.: 2961-6B/W

SOCKET COLOR: BLACK  
WIRE TYPE: 20AWG INSULATED  
WIRE COLOR: 1) WHITE  
1) BLACK

RIGHT SIDE VIEW SHOWN  
WITH BLACK LEAD

			<b>METRIC</b>  THIRD ANGLE PROJECTION		DIMENSIONS ARE IN MILLIMETERS TOLERANCE UNLESS OTHERWISE SPECIFIED 1 PL +/- 0.2 2 PL +/- 0.20 ANGLE +/-		<b>JKL COMPONENTS CORPORATION</b> TITLE <b>T-3 1/4 WEDGE BASE FLYING LEAD SOCKET</b>				
			DRAWN BY L. WENGSTROM		APPVD BY DATE J.K. 9/20/02		SIZE <b>A</b>	FSCM NO. <b>55335</b>	DRAWING NO. <b>SOCKET 2961-6B/W</b>		
RELEASED TO CAD 9/20/02			APPVD DATE 9/20/02		- CAD DRAWING - MANUAL REVISIONS NOT PERMITTED		SCALE <b>NONE</b>	RELEASED DATE 9/20/02	REVISION DATE	REV. NO.	SHEET 1 of 1
REV. NO.	DESCRIPTION/ECONUMBER	APPVD DATE									