



Chipsmall Limited consists of a professional team with an average of over 10 year of expertise in the distribution of electronic components. Based in Hongkong, we have already established firm and mutual-benefit business relationships with customers from,Europe,America and south Asia,supplying obsolete and hard-to-find components to meet their specific needs.

With the principle of “Quality Parts,Customers Priority,Honest Operation,and Considerate Service”,our business mainly focus on the distribution of electronic components. Line cards we deal with include Microchip,ALPS,ROHM,Xilinx,Pulse,ON,Everlight and Freescale. Main products comprise IC,Modules,Potentiometer,IC Socket,Relay,Connector.Our parts cover such applications as commercial,industrial, and automotives areas.

We are looking forward to setting up business relationship with you and hope to provide you with the best service and solution. Let us make a better world for our industry!



Contact us

Tel: +86-755-8981 8866 Fax: +86-755-8427 6832

Email & Skype: info@chipsmall.com Web: www.chipsmall.com

Address: A1208, Overseas Decoration Building, #122 Zhenhua RD., Futian, Shenzhen, China



ETR-U-18-230UC/21

This product has been replaced by a newer version.

Order No.: 2964717



<http://eshop.phoenixcontact.de/phoenix/treeViewClick.do?UID=2964717>

Multifunction timer relay, housing width: 22.5 mm, color: Green

Commercial data	
EAN	4017918131050
Pack	1 Pcs.
Customs tariff	85364190
Weight/Piece	0.09643 KG
Catalog page information	Page 449 (IF-2005)

<http://www.download.phoenixcontact.com>
Please note that the data given here has been taken from the online catalog. For comprehensive information and data, please refer to the user documentation. The General Terms and Conditions of Use apply to Internet downloads.

Technical data	
Coil side	
Input voltage range	18 V AC/DC ... 265 V AC/DC
Input current	Approx. 2 mA ... 5 mA (in rest position) Approx. 10 mA ... 20 mA (in working position)
Temperature sensitivity	Approx. 0.2 %
Recovery time	< 50 ms
Contact side	
Contact type	Single contact, 1-PDT
Contact material	AgNi, 0.15 gold-flashed

Maximum switching voltage	250 V AC/DC
Minimum switching voltage	12 V
Limiting continuous current	6 A
Maximum inrush current	8 A
Min. switching current	10 mA
Interrupting rating (ohmic load) max.	190 W (for 24 V DC)
	70 W (for 48 V DC)
	55 W (for 60 V DC)
	50 W (for 110 V DC)
	50 W (for 220 V DC)
	1500 VA (for 250 V AC)

General data

Length	79 mm
Width	22.5 mm
Height	86 mm
Status display	LED red
Service life mechanical	Approx. 10^7 cycles
Test voltage relay winding/relay contact	2 kV AC
Ambient temperature (operation)	-20 °C ... 60 °C
Mounting position	Any
Standards/regulations	IEC 60664-1: 1992-10
Color	green
Housing insulation material	Polyamide PA non-reinforced

Connection data

Conductor cross section stranded min.	0.2 mm ²
Conductor cross section stranded max.	2.5 mm ²
Conductor cross section solid min.	0.2 mm ²
Conductor cross section solid max.	2.5 mm ²
Conductor cross section AWG/kcmil min.	24
Conductor cross section AWG/kcmil max	14
Stripping length	8 mm
Screw thread	M 3

Certificates / Approvals

Approval logo

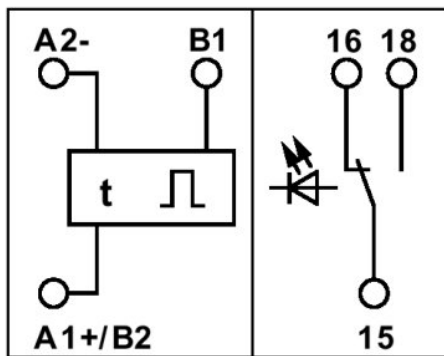


requested approbations

Certification	GOST
---------------	------

Drawings

Circuit diagram



Address

PHOENIX CONTACT GmbH & Co. KG
Flachsmarktstr. 8
32825 Blomberg, Germany
Phone +49 5235 3 00
Fax +49 5235 3 41200
<http://www.phoenixcontact.de>



© 2008 Phoenix Contact
Technical modifications reserved;