



Chipsmall Limited consists of a professional team with an average of over 10 year of expertise in the distribution of electronic components. Based in Hongkong, we have already established firm and mutual-benefit business relationships with customers from,Europe,America and south Asia,supplying obsolete and hard-to-find components to meet their specific needs.

With the principle of "Quality Parts,Customers Priority,Honest Operation,and Considerate Service",our business mainly focus on the distribution of electronic components. Line cards we deal with include Microchip,ALPS,ROHM,Xilinx,Pulse,ON,Everlight and Freescale. Main products comprise IC,Modules,Potentiometer,IC Socket,Relay,Connector.Our parts cover such applications as commercial,industrial, and automotives areas.

We are looking forward to setting up business relationship with you and hope to provide you with the best service and solution. Let us make a better world for our industry!



## Contact us

Tel: +86-755-8981 8866 Fax: +86-755-8427 6832

Email & Skype: info@chipsmall.com Web: www.chipsmall.com

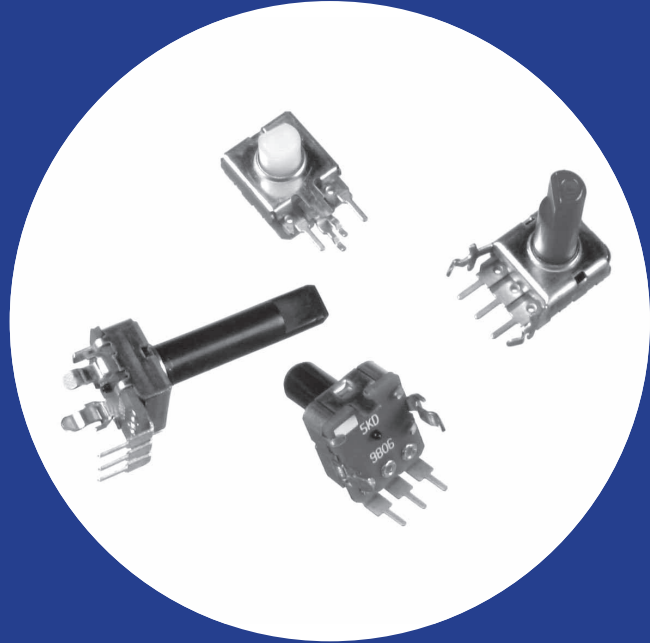
Address: A1208, Overseas Decoration Building, #122 Zhenhua RD., Futian, Shenzhen, China



## Commercial 12mm Diameter Carbon Composition Rotary Potentiometer

### Features

- Miniature 12mm size
- Low cost
- Snap-in bracket for PC board mounting
- Detent available
- Insulated shaft available
- RoHS compliant



## Electrical and Mechanical Specifications

### Resistance Range

500 ohms through 1 Megohms

### Resistance Tolerance

±30%, ±20%, ±10%

### Power Rating

0.15 watts @ 50°C

### Dielectric Strength

500 VDC for 1 minute

### Maximum Operating Voltage

350 VDC

### Insulation Resistance

100 Megohms minimum @ 250 VDC

### Rotational Angle

Mechanical angle: 300°  
Effective angle: 280°

### Rotational Torque

20 – 216 gf-cm

### Stop Strength

5.76 kg-cm minimum (VR without detent)  
3 kg-cm minimum (VR with detent)

### Mounting Information

P.C. board mounting  
Type "X": Shaft parallel to P.C. board  
Type "U": Shaft vertical to P.C. board  
Type "H": Same as "X" except hook terminals

### Detent

Detent @ 50% rotation

### Push-Pull strength on shaft

8 kg for 10 seconds

### Rotational life

10K cycles

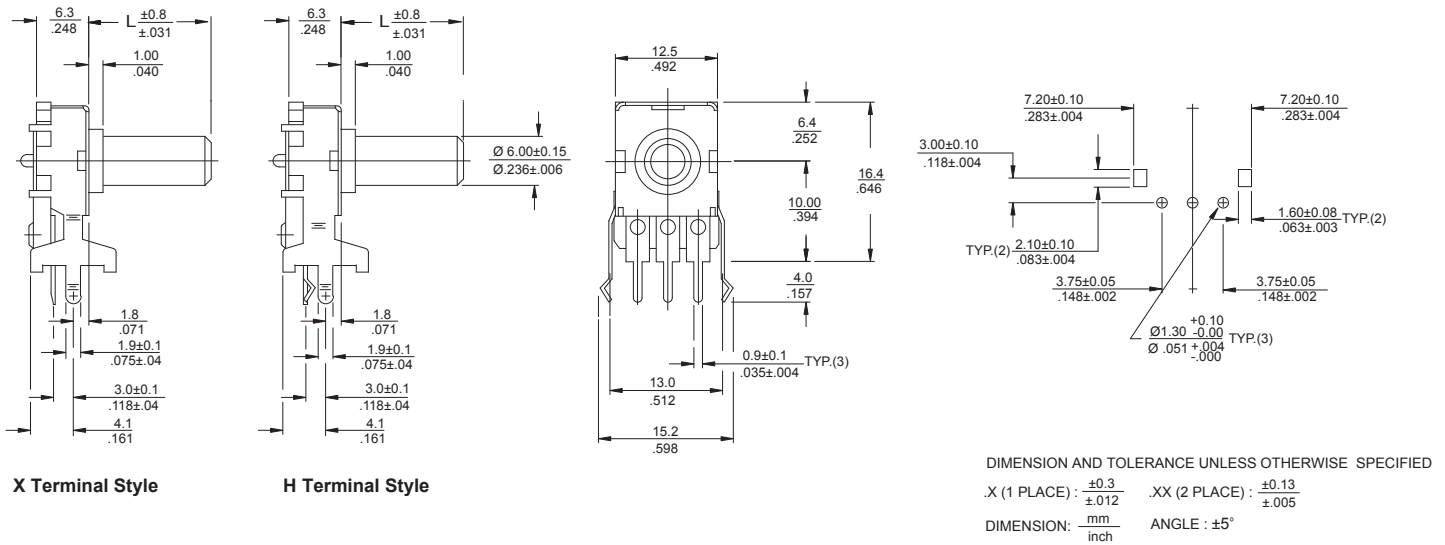
### Operating temperature

-10°C ~ 80°C

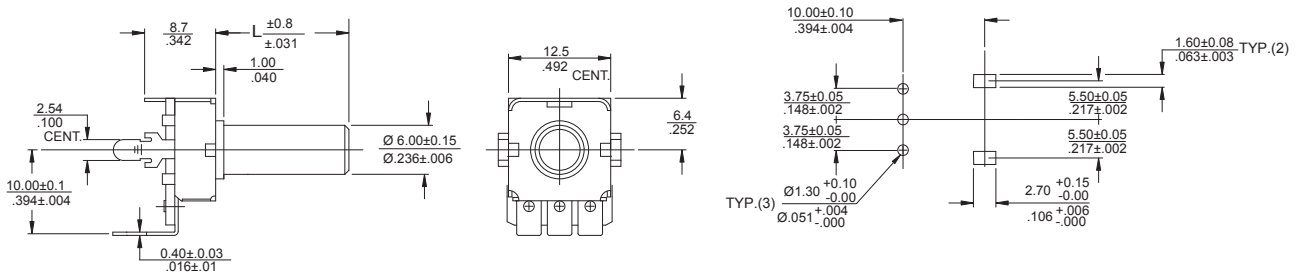
### Solder Heat Resistance

260°C for 5 seconds

## XM 296RE/ HM 296RE Molded Shaft, Shaft Parallel to P.C. Board



## UM 296RE Molded Shaft, Shaft Perpendicular to P.C. Board



## Ordering Information

