



Chipsmall Limited consists of a professional team with an average of over 10 year of expertise in the distribution of electronic components. Based in Hongkong, we have already established firm and mutual-benefit business relationships with customers from,Europe,America and south Asia,supplying obsolete and hard-to-find components to meet their specific needs.

With the principle of “Quality Parts,Customers Priority,Honest Operation,and Considerate Service”,our business mainly focus on the distribution of electronic components. Line cards we deal with include Microchip,ALPS,ROHM,Xilinx,Pulse,ON,Everlight and Freescale. Main products comprise IC,Modules,Potentiometer,IC Socket,Relay,Connector.Our parts cover such applications as commercial,industrial, and automotives areas.

We are looking forward to setting up business relationship with you and hope to provide you with the best service and solution. Let us make a better world for our industry!



Contact us

Tel: +86-755-8981 8866 Fax: +86-755-8427 6832

Email & Skype: info@chipsmall.com Web: www.chipsmall.com

Address: A1208, Overseas Decoration Building, #122 Zhenhua RD., Futian, Shenzhen, China



Optocoupler module - UMK-16 OM/PF/MKDS - 2972767

Please be informed that the data shown in this PDF Document is generated from our Online Catalog. Please find the complete data in the user's documentation. Our General Terms of Use for Downloads are valid (<http://phoenixcontact.com/download>)




Interface module, with plug-in socket for 16 digital I/O modules, with screw connection, with light indicator and fuse, control logic: minus switching

The illustration shows a version for 16 pluggable digital I/O modules, or SOLID-state relays



Key commercial data

Packing unit	1 pc
GTIN	 4 017918 088729
Weight per Piece (excluding packing)	617.77 GRM
Custom tariff number	85369010
Country of origin	Germany

Technical data

Dimensions

Width	326.5 mm
Height	77 mm
Depth	72 mm

Ambient conditions

Ambient temperature (operation)	-20 °C ... 50 °C
Ambient temperature (storage/transport)	-20 °C ... 70 °C

Input data

Typical input current at U_N	30 mA (Optocoupler dependent)
Status display/channel	Yellow LED

Optocoupler module - UMK-16 OM/PF/MKDS - 2972767

Technical data

Output data

Limiting continuous current	5 A (Optocoupler dependent)
Nominal supply voltage	125 V
Error detection (line break / short-circuit)	no

General

No. of channels	16
Compatible components	Digital I/O modules
With components	No
Test voltage	4 kV AC
Mounting position	any
Assembly instructions	In rows with zero spacing
Housing insulation material	PVC, side panel PA non-reinforced,
Color	green
Standards/regulations	DIN VDE 0110b, Gr. C for 250 V DC
	DIN VDE 0160 (in relevant parts)

Connection data for connection 1

Connection name	Input
Number of connections	2
Connection method	Screw connection
Number of positions	20
Conductor cross section stranded min.	0.2 mm ²
Conductor cross section stranded max.	2.5 mm ²
Conductor cross section solid min.	0.2 mm ²
Conductor cross section solid max.	4 mm ²
Conductor cross section AWG/kcmil min.	24
Conductor cross section AWG/kcmil max	12
Screw thread	M3
Stripping length	8 mm

Classifications

eCl@ss

eCl@ss 4.0	27371102
eCl@ss 4.1	27371102
eCl@ss 5.0	27371001
eCl@ss 5.1	27371001
eCl@ss 6.0	27371001

Optocoupler module - UMK-16 OM/PF/MKDS - 2972767

Classifications

ETIM

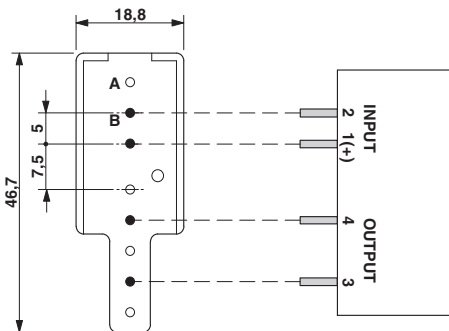
ETIM 2.0	EC001504
ETIM 3.0	EC001504
ETIM 4.0	EC001504
ETIM 5.0	EC001504

UNSPSC

UNSPSC 6.01	30211916
UNSPSC 7.0901	39121542
UNSPSC 11	39121542
UNSPSC 12.01	39121542
UNSPSC 13.2	39121542

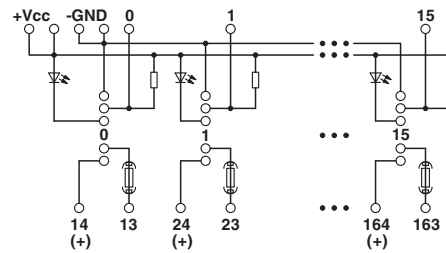
Drawings

Dimensioned drawing



A = without metal
B = with metal

Circuit diagram



Control logic: Minus switching