



Chipsmall Limited consists of a professional team with an average of over 10 year of expertise in the distribution of electronic components. Based in Hongkong, we have already established firm and mutual-benefit business relationships with customers from,Europe,America and south Asia,supplying obsolete and hard-to-find components to meet their specific needs.

With the principle of "Quality Parts,Customers Priority,Honest Operation,and Considerate Service",our business mainly focus on the distribution of electronic components. Line cards we deal with include Microchip,ALPS,ROHM,Xilinx,Pulse,ON,Everlight and Freescale. Main products comprise IC,Modules,Potentiometer,IC Socket,Relay,Connector.Our parts cover such applications as commercial,industrial, and automotives areas.

We are looking forward to setting up business relationship with you and hope to provide you with the best service and solution. Let us make a better world for our industry!



Contact us

Tel: +86-755-8981 8866 Fax: +86-755-8427 6832

Email & Skype: info@chipsmall.com Web: www.chipsmall.com

Address: A1208, Overseas Decoration Building, #122 Zhenhua RD., Futian, Shenzhen, China




PSR-SCP- 24DC/FSP2/2X1/1X2

Order No.: 2986575

<http://eshop.phoenixcontact.de/phoenix/treeViewClick.do?UID=2986575>

Safe coupling relay for SIL2 high and low demand applications, couples digital output signals to the I/O, 2 enabling current paths, 1 alarm contact, module for safe state off applications, integrated test pulse filter, plug-in terminal blocks, width: 17.5 mm

**Commercial data**

GTIN (EAN)	 4 046356 553322
sales group	G501
Pack	1 pcs.
Customs tariff	85364190
Catalog page information	Page 219 (NTK-2010)

Product notesWEEE/RoHS-compliant since:
03/24/2010

<http://www.download.phoenixcontact.com>
Please note that the data given here has been taken from the online catalog. For comprehensive information and data, please refer to the user documentation. The General Terms and Conditions of Use apply to Internet downloads.

Technical data**Input data**

Nominal input voltage U_N	24 V DC
Input voltage range in reference to U_N	0.85 ... 1.1
Typical input current at U_N	55 mA

Typical inrush current	max. 100 mA
Typical response time	50 ms
Typical release time	50 ms
Recovery time	1 s

Output data

Contact type	2 undelayed enabling current paths, 1 undelayed confirmation path
Contact material	AgCuNi, + 0.2 µm Au
Maximum switching voltage	250 V AC/DC
Minimum switching voltage	15 V AC/DC
Limiting continuous current	5 A (N/O contact) 100 mA (N/C contact)
Maximum inrush current	5 A
Inrush current, minimum	5 mA
Sq. Total current	$50 \text{ A}^2 (I_{TH}^2 = I_1^2 + I_2^2 + \dots + I_N^2)$
Interrupting rating (ohmic load) max.	120 W (24 V DC, $\tau = 0 \text{ ms}$, N/C contact: 2.4 W) 192 W (48 V DC, $\tau = 0 \text{ ms}$, N/C contact: 4.8 W) 162 W (60 V DC, $\tau = 0 \text{ ms}$, N/C contact: 6 W) 66 W (110 V DC, $\tau = 0 \text{ ms}$, N/C contact: 11 W) 60 W (220 V DC, $\tau = 0 \text{ ms}$, N/C contact: 22 W) 1250 VA (250 V AC, $\tau = 0 \text{ ms}$, N/C contact: 25 VA)
Maximum interrupting rating (inductive load)	72 W (24 V DC, $\tau = 40 \text{ ms}$, N/C contact: 2.4 W) 43 W (48 V DC, $\tau = 40 \text{ ms}$, N/C contact: 4.8 W) 41 W (60 V DC, $\tau = 40 \text{ ms}$, N/C contact: 6 W) 35 W (110 V DC, $\tau = 40 \text{ ms}$, N/C contact: 11 W) 48 W (220 V DC, $\tau = 40 \text{ ms}$, N/C contact: 22 W)
Switching capacity min.	75 mW
Output fuse	10 A gL/gG (N/O contact) 6 A gL/gG (N/C contact)

General data

Width	17.5 mm
Height	99 mm
Depth	114.5 mm
Ambient temperature (operation)	-20 °C ... 55 °C
Ambient temperature (storage/transport)	-40 °C ... 70 °C

Relay type	Electromechanically forcibly guided, dust-proof relay.
Mechanical service life	Approx. 10^7 cycles
Mounting position	Any
Stop category	0
Name	Air and creepage distances between the power circuits
Standards/regulations	DIN EN 50178/VDE 0160
Rated surge voltage / insulation	6 kV/safe isolation, reinforced insulation
Rated insulation voltage	250 V
Pollution degree	2
Surge voltage category	III

Connection data

Conductor cross section solid min.	0.2 mm ²
Conductor cross section solid max.	2.5 mm ²
Conductor cross section stranded min.	0.2 mm ²
Conductor cross section stranded max.	2.5 mm ²
Conductor cross section AWG/kcmil min.	24
Conductor cross section AWG/kcmil max	12
Stripping length	7 mm
Screw thread	M3
Connection method	Screw connection

Certificates / Approvals

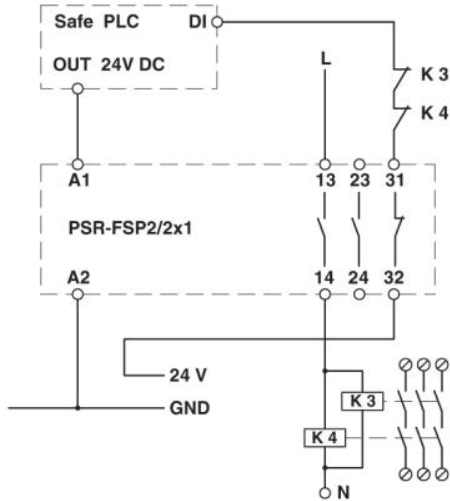


Certification

CUL Listed, TUEV-RH, UL Listed

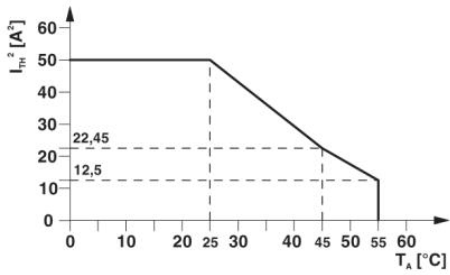
Diagrams/Drawings

Connection diagram

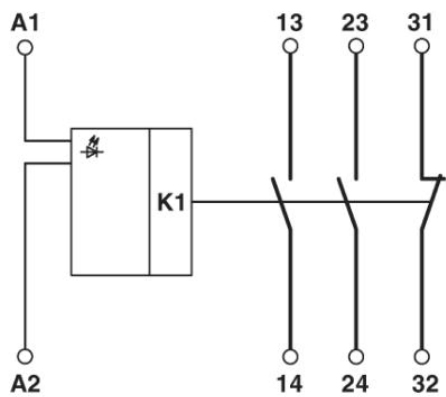


Diagram

Derating curve



Circuit diagram



Address

PHOENIX CONTACT Inc., USA
586 Fulling Mill Road
Middletown, PA 17057, USA
Phone (800) 888-7388
Fax (717) 944-1625
<http://www.phoenixcon.com>



© 2011 Phoenix Contact
Technical modifications reserved;