



Chipsmall Limited consists of a professional team with an average of over 10 year of expertise in the distribution of electronic components. Based in Hongkong, we have already established firm and mutual-benefit business relationships with customers from,Europe,America and south Asia,supplying obsolete and hard-to-find components to meet their specific needs.

With the principle of “Quality Parts,Customers Priority,Honest Operation,and Considerate Service”,our business mainly focus on the distribution of electronic components. Line cards we deal with include Microchip,ALPS,ROHM,Xilinx,Pulse,ON,Everlight and Freescale. Main products comprise IC,Modules,Potentiometer,IC Socket,Relay,Connector.Our parts cover such applications as commercial,industrial, and automotives areas.

We are looking forward to setting up business relationship with you and hope to provide you with the best service and solution. Let us make a better world for our industry!



Contact us

Tel: +86-755-8981 8866 Fax: +86-755-8427 6832

Email & Skype: info@chipsmall.com Web: www.chipsmall.com

Address: A1208, Overseas Decoration Building, #122 Zhenhua RD., Futian, Shenzhen, China



Relay Module - PLC-2RSC-24DC/ 1 - 2987309

Please be informed that the data shown in this PDF Document is generated from our Online Catalog. Please find the complete data in the user's documentation. Our General Terms of Use for Downloads are valid (<http://phoenixcontact.com/download>)



PLC-INTERFACE with two independent relays, consisting of PLC-BSC.../21 basic terminal block with screw connection and two integrated relays, power contact, for mounting on DIN rail NS 35/7,5, 2 x 1 N/O contact, input voltage 24 V DC

Product Features

- ✓ Two switching channels in one 6.2 mm housing
- ✓ 100% higher channel density than conventional 6.2 mm relays
- ✓ Integrated input circuit/protective circuit
- ✓ Safe isolation according to DIN EN 50178 between coil and contacts and between contacts
- ✓ Screw, spring-cage or Push-in connection



Key commercial data

Packing unit	1 pc
Minimum order quantity	10 pc
Weight per Piece (excluding packing)	34.0 GRM
Custom tariff number	85364190
Country of origin	Germany

Technical data

Note

Utilization restriction	EMC: class A product, see manufacturer's declaration in the download area
-------------------------	---

Dimensions

Width	6.2 mm
Height	80 mm
Depth	86 mm

Ambient conditions

Relay Module - PLC-2RSC-24DC/ 1 - 2987309

Technical data

Ambient conditions

Ambient temperature (operation)	-20 °C ... 60 °C
Ambient temperature (storage/transport)	-20 °C ... 60 °C

Coil side

Nominal input voltage U_N	24 V DC
Typical input current at U_N	7 mA
Typical response time	4 ms
Typical release time	6 ms
Operating voltage display	Yellow LED
Protective circuit	Protection against polarity reversal Polarity protection diode
	Free-wheeling diode Damping diode

Contact side

Contact type	2 N/O contacts (2 relays with 1 N/O contact)
Contact material	AgNi
Maximum switching voltage	250 V AC/DC
Minimum switching voltage	24 V AC/DC
Min. switching current	5 mA
Limiting continuous current	3.5 A
Interrupting rating (ohmic load) max.	84 W (at 24 V DC)
	24 W (at 48 V DC)
	24 W (at 60 V DC)
	31 W (at 110 V DC)
	46 W (at 220 V DC)
	875 VA (for 250 V AC)

General

Test voltage relay winding/relay contact	3 kV AC (50 Hz, 1 min.)
Test voltage relay contact/relay contact	3 kV AC (50 Hz, 1 min.)
Operating mode	100% operating factor
Mechanical service life	2×10^7 cycles
Inflammability class according to UL 94	V0
Designation	Air and creepage distances between the power circuits
Standards/regulations	IEC 60664
	EN 50178
	IEC 62103
Rated surge voltage / insulation	6 kV, safe isolation between input and output. 4 kV, basic insulation between the outputs.
Rated insulation voltage	250 V AC

Relay Module - PLC-2RSC-24DC/ 1 - 2987309

Technical data

General

Pollution degree	2
Surge voltage category	III
Mounting position	any
Assembly instructions	In rows with zero spacing

Connection data

Connection method	Screw connection
Stripping length	8 mm
Conductor cross section stranded min.	0.14 mm ²
Conductor cross section stranded max.	2.5 mm ²
Conductor cross section solid min.	0.14 mm ²
Conductor cross section solid max.	2.5 mm ²
Conductor cross section AWG/kcmil max	14
Conductor cross section AWG/kcmil min.	26
Screw thread	M3

Classifications

eCl@ss

eCl@ss 4.0	27371102
eCl@ss 4.1	27371102
eCl@ss 5.0	27371001
eCl@ss 5.1	27371001
eCl@ss 6.0	27371001
eCl@ss 7.0	27371001
eCl@ss 8.0	27371001

ETIM

ETIM 2.0	EC000196
ETIM 3.0	EC000196
ETIM 4.0	EC000196
ETIM 5.0	EC000196

UNSPSC

UNSPSC 6.01	30211916
UNSPSC 7.0901	39121515
UNSPSC 11	39121515
UNSPSC 12.01	39121515

Relay Module - PLC-2RSC-24DC/ 1 - 2987309

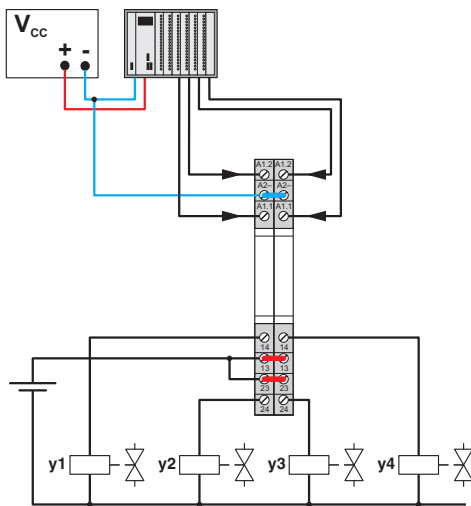
Classifications

UNSPSC

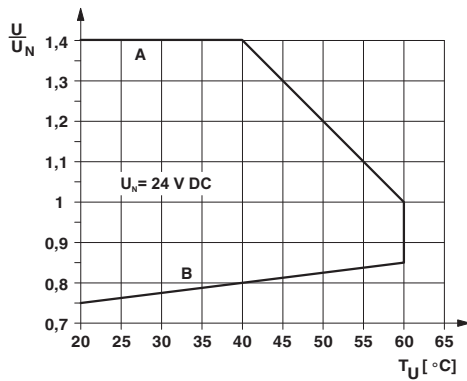
UNSPSC 13.2	39121515
-------------	----------

Drawings

Application drawing

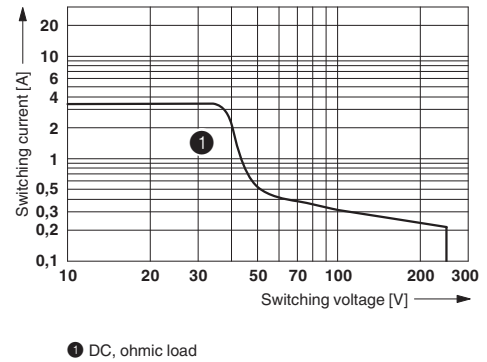


Diagram



Operating voltage range

Diagram



Interrupting rating

Circuit diagram

