



Chipsmall Limited consists of a professional team with an average of over 10 year of expertise in the distribution of electronic components. Based in Hongkong, we have already established firm and mutual-benefit business relationships with customers from,Europe,America and south Asia,supplying obsolete and hard-to-find components to meet their specific needs.

With the principle of “Quality Parts,Customers Priority,Honest Operation,and Considerate Service”,our business mainly focus on the distribution of electronic components. Line cards we deal with include Microchip,ALPS,ROHM,Xilinx,Pulse,ON,Everlight and Freescale. Main products comprise IC,Modules,Potentiometer,IC Socket,Relay,Connector.Our parts cover such applications as commercial,industrial, and automotives areas.

We are looking forward to setting up business relationship with you and hope to provide you with the best service and solution. Let us make a better world for our industry!



Contact us

Tel: +86-755-8981 8866 Fax: +86-755-8427 6832

Email & Skype: info@chipsmall.com Web: www.chipsmall.com

Address: A1208, Overseas Decoration Building, #122 Zhenhua RD., Futian, Shenzhen, China



BOLT-DOWN FUSE HOLDERS FOR MEGA® STYLE FUSE

RoHS



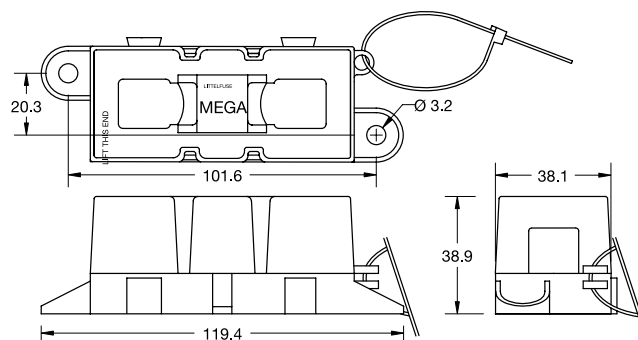
Description

Use with MEGA® fuses up to 500A. Ideal for battery and alternator connections and other heavy gauge cables requiring ultra high current protection. Includes protective cover. Features interconnecting pins on side of fuse block for secure multiple block configurations. Includes M8 threaded studs and hex nuts with lock washers. Fuse not included.

Dimensions

Dimensions in mm

M8 torque: 12-18Nm



Ratings

Part Number	Description	Fuse Rating
02981001ZXT	160 pcs.	500 A

Corresponding fuses see Section "Bolt-Down Fuses."

SPLASH RESISTANT FUSE HOLDER

for MEGA® Style Bolt-Down Fuse



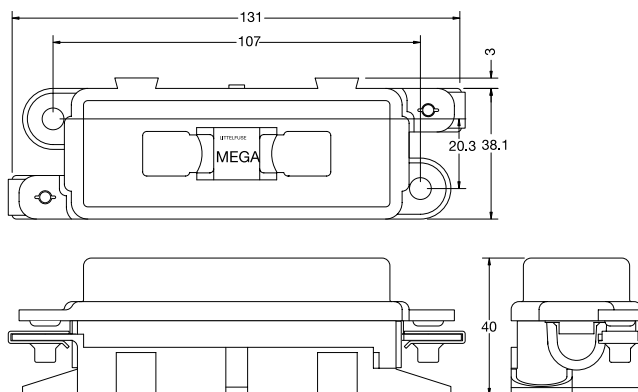
Description

For use with MEGA® fuses the holder offers splash-resistant protection for use in harsh environments.

Dimensions

Dimensions in mm

M8 torque: 12-18Nm



Ratings

Part Number	Description	Fuse Rating
298907-030	Holder	250 A
298907-040	Cover	-

Corresponding fuses see Section "Bolt-Down Fuses."