



Chipsmall Limited consists of a professional team with an average of over 10 year of expertise in the distribution of electronic components. Based in Hongkong, we have already established firm and mutual-benefit business relationships with customers from,Europe,America and south Asia,supplying obsolete and hard-to-find components to meet their specific needs.

With the principle of “Quality Parts,Customers Priority,Honest Operation,and Considerate Service”,our business mainly focus on the distribution of electronic components. Line cards we deal with include Microchip,ALPS,ROHM,Xilinx,Pulse,ON,Everlight and Freescale. Main products comprise IC,Modules,Potentiometer,IC Socket,Relay,Connector.Our parts cover such applications as commercial,industrial, and automotives areas.

We are looking forward to setting up business relationship with you and hope to provide you with the best service and solution. Let us make a better world for our industry!



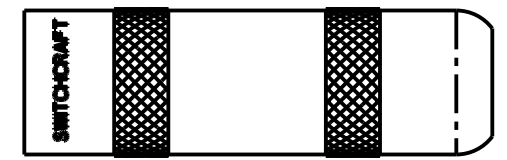
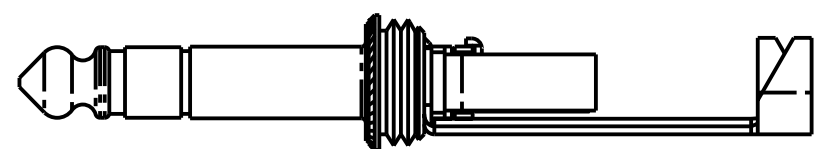
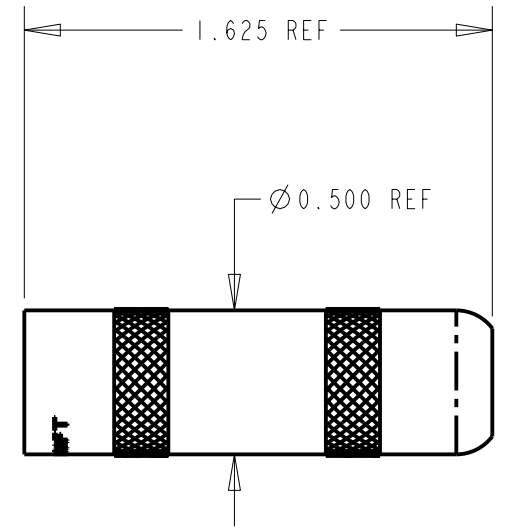
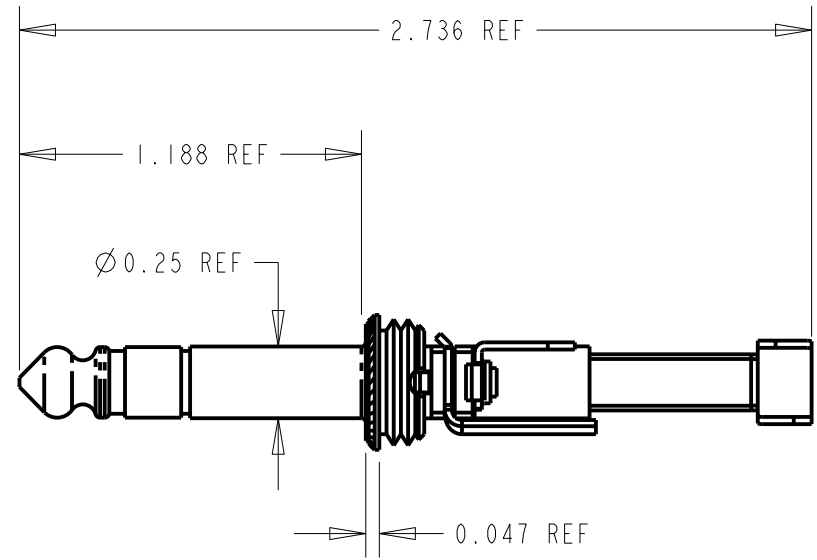
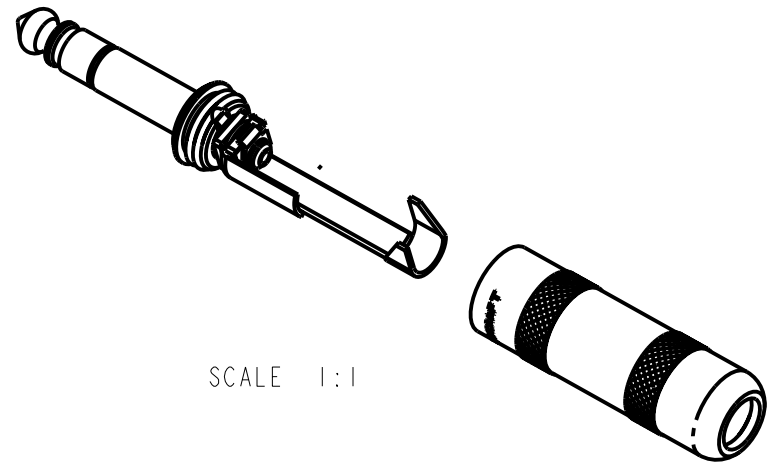
Contact us

Tel: +86-755-8981 8866 Fax: +86-755-8427 6832

Email & Skype: info@chipsmall.com Web: www.chipsmall.com

Address: A1208, Overseas Decoration Building, #122 Zhenhua RD., Futian, Shenzhen, China





NOTES:

1. INSULATOR AND HANDLE SHIPPED SEPARATELY.

CUSTOMER DRAWING

MATERIALS

TIP, RING, SLEEVE AND HANDLE: BRASS, NICKEL PLATED
 TIP, RING AND CLAMP TERMINALS: BRASS, ELEKTROTIN PLATED
 INSULATORS: CELANESE, MYLAR, GLASS-EPOXY RESIN

REV	ECO NUMBER	DATE	BY	APVD
F	23166	6-30-00	JL	JF
E	21319	1-16-96	SG	KS
D	20663	1-16-96	SG	KS
C	20627	3-9-96	SG	SG
B	ECO #19684	4-4-95	SG	GHJ
A	FIRST DRAWN	1-8-94	LR	TAO

★ STAR SYMBOL DENOTES CRITICAL DIMENSION
 UNLESS OTHERWISE SPECIFIED
 1. ALL DIMENSIONS IN INCHES
 - TWO PLACE DECIMALS ±0.01
 - THREE PLACE DECIMALS ±0.005
 - ANGLES ±1°
 - ALL DIA. CONCENTRIC WITHIN 0.005 T.I.R.
 2. FEATURES ON THE SAME CENTERLINE MUST BE ALIGNED WITHIN ±0.002
 3. REMOVE ALL BURRS
 DO NOT SCALE DRAWING

THIS DRAWING DESCRIBES A DESIGN CONSIDERED PROPRIETARY IN NATURE, DEVELOPED AND MANUFACTURED BY SWITCHCRAFT INC. AND IS RELEASED ON A CONFIDENTIAL BASIS FOR IDENTIFICATION PURPOSES ONLY.									
SIZE		WIDTH		MULT		LBS/M		TEMPER	
FINISH					MATERIAL				
SPEC No.					SPEC No.				
FIRST USED ON				SCALE 3:2					
DATE DRAWN	BY	CHKD	APVD						
8-Jan-94	LR	LR	TAO						
NAME			PLUG ASSEMBLY		PART No.		SHEET 1 OF 1		REV F