



Chipsmall Limited consists of a professional team with an average of over 10 year of expertise in the distribution of electronic components. Based in Hongkong, we have already established firm and mutual-benefit business relationships with customers from,Europe,America and south Asia,supplying obsolete and hard-to-find components to meet their specific needs.

With the principle of “Quality Parts,Customers Priority,Honest Operation,and Considerate Service”,our business mainly focus on the distribution of electronic components. Line cards we deal with include Microchip,ALPS,ROHM,Xilinx,Pulse,ON,Everlight and Freescale. Main products comprise IC,Modules,Potentiometer,IC Socket,Relay,Connector.Our parts cover such applications as commercial,industrial, and automotives areas.

We are looking forward to setting up business relationship with you and hope to provide you with the best service and solution. Let us make a better world for our industry!



## Contact us

Tel: +86-755-8981 8866 Fax: +86-755-8427 6832

Email & Skype: info@chipsmall.com Web: www.chipsmall.com

Address: A1208, Overseas Decoration Building, #122 Zhenhua RD., Futian, Shenzhen, China



**SERIES 29**

**FEATURES**

- Flush Hole to Prevent Crimping
- Space-Saving  $\frac{3}{8}$ " Diameter or Decorative Flared Skirt
- Dual Mounting Base Accessory

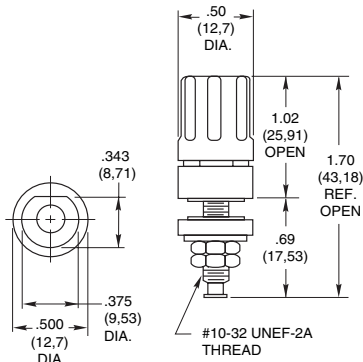


**DIMENSIONS** In Inches (and millimeters)

**Straight Skirt Style**

**29-1 BLK and 29-1 RED**

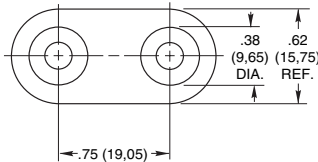
Screw post fits  $\frac{3}{8}$ " (9,53) diameter hole for close spacing.



**Dual Mounting Base**

**29B11-1**

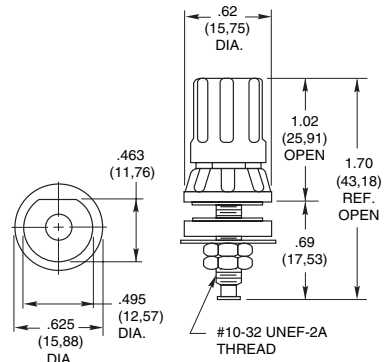
For use with 29-1 BLK and 29-1 RED  
Mounting base is black.



**Flared Skirt Style**

**29-3 BLK and 29-3 RED**

Screw post fits  $\frac{1}{2}$ " (12,7) diameter hole for wider spacing.



**SPECIFICATIONS**

**Rating Criteria**

**Rating:** At 120 Vdc, 15 Amps continuously, with a maximum temperature rise of 20°C.

**Insulation Resistance:** Between stud and mounting panel

- For 29-1 styles 120,000 megohms
- For 29-3 styles 200,000 megohms

**Voltage Breakdown:** Between studs and mounting panel

- For 29-1 styles 1500 Vac
- For 29-3 styles 3000 Vac

**Materials and Finishes**

**Metal Parts:** Nickel-plated brass

**Insulating Materials:** Thermoset plastic per MIL-M-14, Type CFG

**Additional Characteristics**

**Insulating Washers:** Non-turn "D" style

**Solder Stud:** Integral; 2 hex nuts for solder lug connections

**Heads:** Captive

**Cross Hole:** Flush to stud extension to eliminate cutting or crimping wires

**Panel Thickness:** Up to  $\frac{3}{16}$ " (4,76)

**ORDERING INFORMATION**

Order using part numbers shown in dimensions.

**Available from your local Grayhill Distributor.**

For prices and discounts, contact a local Sales Office, an authorized local Distributor or Grayhill.